



Top Rated Product


4.5
★★★★★

verified by Trustindex 

Assembly instructions

Activity toys to be assembled by adults for outdoor domestic use.

Montageanleitung

Aktivitätsspielzeug zum Selbstaufbau für den häuslichen Außenbereich.

Instructions de montage

Jouet d'activité à assembler pour une utilisation familial en extérieur

2 PART

Design Code : TgnqAK
Article Number : 211098
Product Name : **Jungle Club 2.1**
Audit ID : 801_110




3D | 360°
View



Jungle Gym

BACKYARD PLAYGROUNDS

since 1988

Assembly time ca.

4.0
hours
by 2 adults

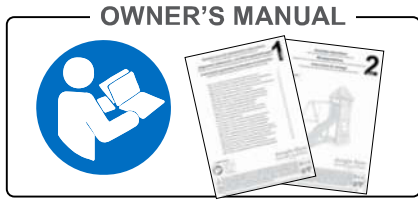


EN. Warning! Only for domestic use. Maximum number of users is 5. **DE.** Achtung! Nur für den Hausgebrauch. Maximale Benutzerzahl: 5. **FR.** Attention! Réserve à un usage familial. Le nombre maximal d'utilisateurs est de 5. **BG.** Внимание! За употреба само в домашни условия. Максималният брой потребители е 5. **CS.** Varování! Jen pro domácí použití. Maximální počet uživatelů je 5. **DA.** Advarsler! Kun til privat brug. Maksimum antal brugere er 5. **EL.** Προειδοποίηση! Μόνο για οικιακή χρήση. Μέγιστος αριθμός χρηστών 5. **ES.** Advertencias! Sólo para uso doméstico. Número máximo de usuarios: 5. **ET.** Hoiatused! Ainult koduseks kasutamiseks. Maksimaalne kasutajate arv on 5. **FI.** Varoitukse! Ainoastaan kotikäyttöön. Käyttäjää yhteensä enintään 5. **HR.** Upozorenja! Samo za uporabu u domu. Maksimalan broj korisnika je 5. **HU.** Figyelmeztetések! Csak otthoni használatra! A használok max. száma: 5. **IS.** Varnaðaror! Eingöngu fyrir einkanoðkun í heimahúsum og á einkalóum. Hámarksfjöldi notenda er 5. **IT.** Avvertenze! Solo per uso domestico. Massimo numero di utenti è 5. **LT.** Dėmesio! Tik buitiniam naudojimui. Maksimalus naudotojų skaičius 5. **LV.** Brīdinājumi. Izmantot tikai mājās. Maksimālais lietotāju skaits ir 5. **NL.** Waarschuwing! Uitsluitend voor huishoudelijk gebruik. Het maximale aantal gebruikers is 5. **NO.** Advarsler! Kun for privat bruk. Maksimalt antall brukere er 5. **PL.** Ostrzeżenia! Wyłącznie do użytku domowego. Maksymalna liczba użytkowników to 5. **PT.** Avisos! Apenas para uso doméstico. O número máximo de utilizadores é 5. **RO.** Avertismente! Numai pentru uz domestic. Numărul maxim de utilizatori este 5. **SK.** Upozornenia! Iba na domáce použítie. Maximálne množstvo osôb je 5. **SL.** Opozorila! Samo za domačo uporabo. Maksimalno število uporabnikov je 5. **SV.** Varningar! Endast för hemmabruk. Det maximala antalet användare är 5.





Safety symbols Sicherheitssymbole Symboles de sécurité



Important: Before assembling and using this product, please carefully read the provided Use- and maintenance instructions (Part 1) and assembly instructions (Part 2) thoroughly.

Wichtig: Lesen Sie vor der Montage und Benutzung dieses Produkts die beiliegende Gebrauchs- und Wartungsanweisungen (Teil 1) und die Montageanleitung (Teil 2) sorgfältig durch.

Important: Avant de monter et d'utiliser ce produit, veuillez lire attentivement. Conseils d'utilisation et d'entretien (Partie 1) et les instructions de montage (Partie 2).



Mandatory provisions
Gebotsbestimmungen
Dispositions obligatoires



1-5
Warnings!
Achtung!
Attention!



1-12
Potential hazards
Potenzielle Gefahren
Dangers potentiels



1-7
Installation and safety notices
Installations- und Sicherheitshinweise
Instructions d'installation et de sécurité



1-14
Assembly and safety notices
Montage- und Sicherheitshinweise
Instructions de montage et de sécurité



1-7
Safe play instructions and safety notices
Sichere Spielanweisungen und Sicherheitswarnungen
Consignes de jeu sécurisé et avis de sécurité



Customer service Kundendienst Service client



 [Frequently Asked Questions](#)

 [Häufig gestellte Fragen](#)

 [Foire aux questions](#)

 [Veelgestelde Vragen](#)



 EU +31 85 44 44 102 *

info@junglegym.com

www.junglegym.com

[instagram.com/junglegymofficial](https://www.instagram.com/junglegymofficial)

* International phone charges may apply.

Availability:

Monday – Thursday:

CET 09:00 AM – 04:00 PM

Friday:

CET 09:00 AM – 01:00 PM



Preparation Vorbereitung Préparation



Complete composition and delivery overview
Vollständige Zusammensetzung und Lieferübersicht
Aperçu complet de la composition et de la livraison



8



OR



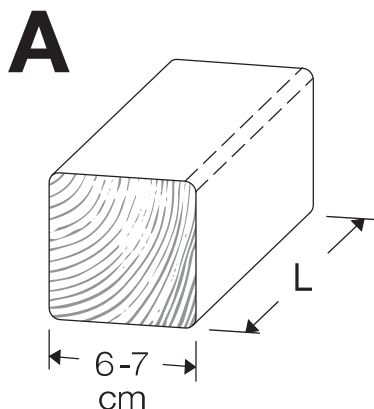
To avoid danger of suffocation, please keep the bag away from children.
 Um Erstickungsgefahr zu vermeiden, halten Sie die Tüte bitte von Kindern fern.
 Pour éviter tout risque d'étouffement, gardez le sac hors de portée des enfants.

Choking hazard – may not be suitable for children under 3 years.
 Erstickungsgefahr – möglicherweise nicht geeignet für Kinder unter 3 Jahren.
 Risque d'étouffement – peut ne pas convenir aux enfants de moins de 3 ans.

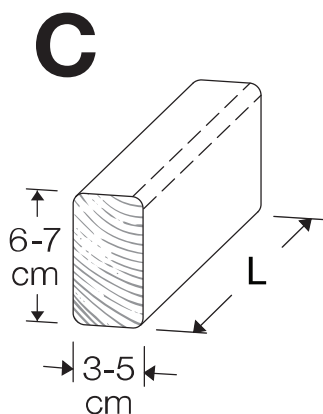


#	Print ID	Description	FFC ID
1	BT11a	Base Tower 115_240240_125	701_110
1	RF08b	Roof Timber Gable 115	
1	BL03a	Balustrade 115_ U	
1	BL04a	Balustrade 115_ T	
1	LA11a	Ladder 115_125 U L x Balustrade	
1	SL09a	Slide Frame 115_125 T R x Balustrade	
1	AC01a	Accessories Set	324_x00
1	324_x00	Wavy Star Slide XL	

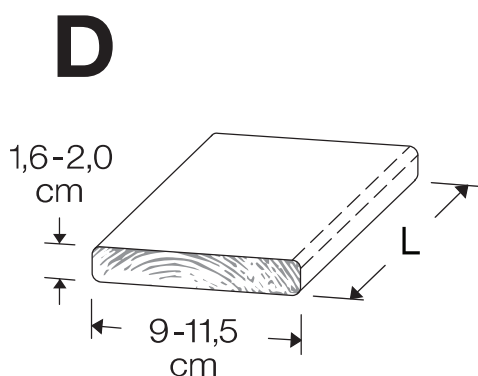
Timber parts list
 Stückliste Holzteile
 Liste des pièces en bois



ID	L	#
A240	239 cm - 240 cm	4

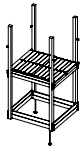




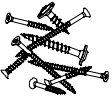




C70	69 cm - 70 cm	2
C90	89 cm - 90 cm	2
C96	95 cm - 96 cm	2
C114	113 cm - 114 cm	9
C130	129 cm - 130 cm	2

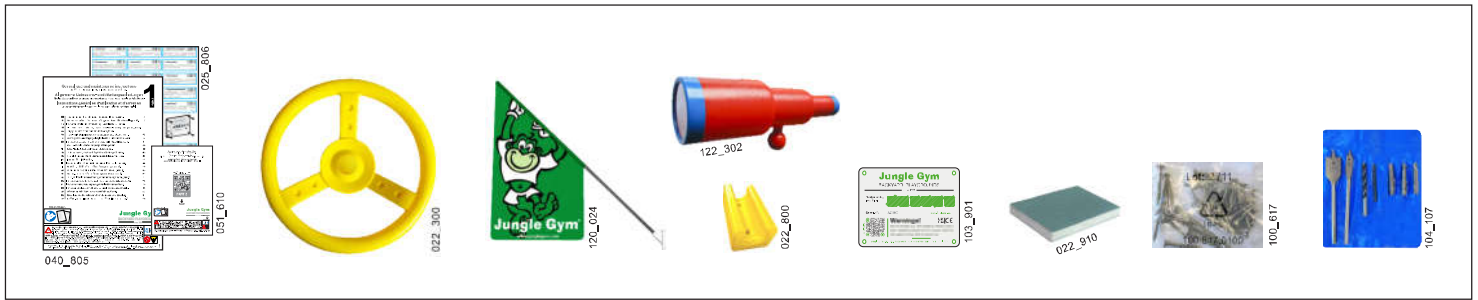


D65	64 cm - 65 cm	17
D100	99 cm - 100 cm	14
D114	113 cm - 114 cm	12
D127	126 cm - 127 cm	24

Hardware package and accessory registration
 Hardwarebeutel- und Zubehörregistrierung
 Enregistrement du sachet de quincaillerie et des accessoires

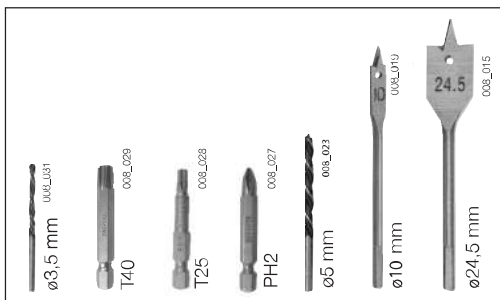
<p>Tower 115</p>  <p>BT ET</p> <p>Nº 194_300</p> <p>1x</p> <p>LOT: <input type="checkbox"/> <input type="checkbox"/> <input type="checkbox"/> <input type="checkbox"/> <input type="checkbox"/> <input type="checkbox"/> <input type="checkbox"/> <input type="checkbox"/> <input type="checkbox"/> <input type="checkbox"/></p>	<p>Hardware 03</p>  <p>H03</p> <p>Nº 194_501</p> <p>2x</p> <p>LOT: <input type="checkbox"/> <input type="checkbox"/> <input type="checkbox"/> <input type="checkbox"/> <input type="checkbox"/> <input type="checkbox"/> <input type="checkbox"/> <input type="checkbox"/> <input type="checkbox"/> <input type="checkbox"/></p>	<p>AP Manual & Accessory set</p>  <p>AC</p> <p>Nº 194_119</p> <p>1x</p> <p>LOT: <input type="checkbox"/> <input type="checkbox"/> <input type="checkbox"/> <input type="checkbox"/> <input type="checkbox"/> <input type="checkbox"/> <input type="checkbox"/> <input type="checkbox"/> <input type="checkbox"/> <input type="checkbox"/></p>	<p>Slide XL 2.2m</p>  <p>Nº 324_x00</p> <p>1x</p> <p>LOT: <input type="checkbox"/> <input type="checkbox"/> <input type="checkbox"/> <input type="checkbox"/> <input type="checkbox"/> <input type="checkbox"/> <input type="checkbox"/> <input type="checkbox"/> <input type="checkbox"/> <input type="checkbox"/></p>	<p>Ladder 125</p>  <p>LA</p> <p>Nº 194_003</p> <p>1x</p> <p>LOT: <input type="checkbox"/> <input type="checkbox"/> <input type="checkbox"/> <input type="checkbox"/> <input type="checkbox"/> <input type="checkbox"/> <input type="checkbox"/> <input type="checkbox"/> <input type="checkbox"/> <input type="checkbox"/></p>
<p>Hardware 01</p>  <p>H01</p> <p>Nº 194_101</p> <p>2x</p> <p>LOT: <input type="checkbox"/> <input type="checkbox"/> <input type="checkbox"/> <input type="checkbox"/> <input type="checkbox"/> <input type="checkbox"/> <input type="checkbox"/> <input type="checkbox"/> <input type="checkbox"/> <input type="checkbox"/></p>	<p>Slide Frame</p>  <p>SL</p> <p>Nº 194_107</p> <p>1x</p> <p>LOT: <input type="checkbox"/> <input type="checkbox"/> <input type="checkbox"/> <input type="checkbox"/> <input type="checkbox"/> <input type="checkbox"/> <input type="checkbox"/> <input type="checkbox"/> <input type="checkbox"/> <input type="checkbox"/></p>	<p>Hardware 04</p>  <p>H04</p> <p>Nº 194_804</p> <p>1x</p> <p>LOT: <input type="checkbox"/> <input type="checkbox"/> <input type="checkbox"/> <input type="checkbox"/> <input type="checkbox"/> <input type="checkbox"/> <input type="checkbox"/> <input type="checkbox"/> <input type="checkbox"/> <input type="checkbox"/></p>		

Standard Scope of Delivery
Standard-Lieferumfang
Contenu Standard de la Livraison



194_119

Overview bit and drill bit references
Bit-Übersicht und Bohrer-Referenzen
Aperçu des embouts et références de forets



Fastening hardware & component references
Befestigungsmaterial und Komponentenreferenzen
Références de fixation et de composants

		#	L
 ø 5 T-40	 ø 8.0 mm	001_404	30 mm
		001_406	45 mm
		001_411	60 mm
		001_417	80 mm
		001_422	137 mm
 ø 10 T-40	 M8	001_102	30 mm
		000_101	20 mm
 ø 3.5 T-25	 ø 6.3 mm	002_036	16 mm
		002_041	20 mm
 ø 3.5 PH-2	 ø 4.5 mm	002_042	13 mm
		002_301	40 mm

		#	L
 ø 3.5 T-25	 ø 5.0 mm	002_308	20 mm
		002_219	30 mm
		002_220	45 mm
		002_223	80 mm
 ø 10	 M8	004_050	22mm
		003_010	
	 M6	003_034	
	 ø 2.0 mm	022_845	Yellow
		022_846	Blue
		022_847	Green
		022_848	Red
		023_031	White
	 ø 3.9 mm	120_005	White



Registration & warnings Registrierung & Warnhinweise Enregistrement & avertissements

Climbing frame identification
Klettergerüst-Identifizierung
Identification de l'aire de jeux



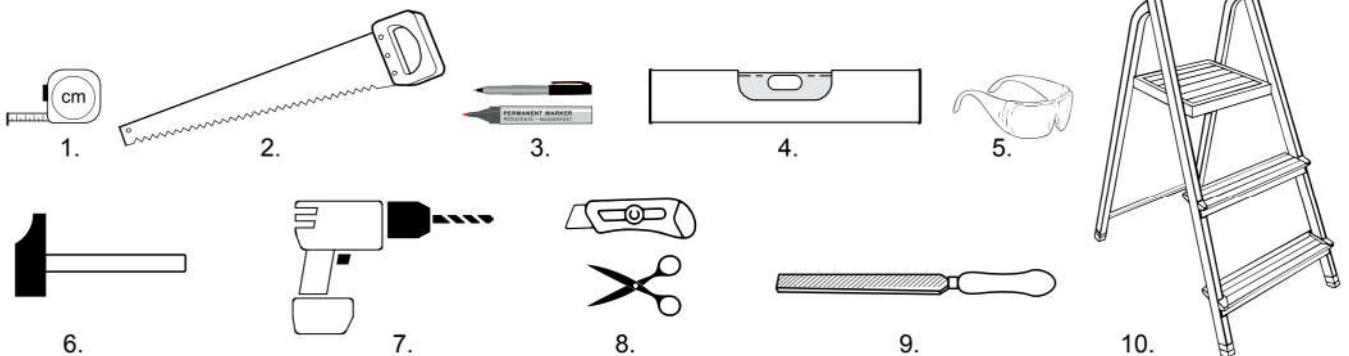
Use warnings
Gebrauchswarnungen
Avertissements d'usage



Manual ID: 040_040_2616



Required tools Benötigtes Werkzeug Outils nécessaires





Installation and safety notices

Installations- und Sicherheitshinweise

Instructions d'installation et de sécurité

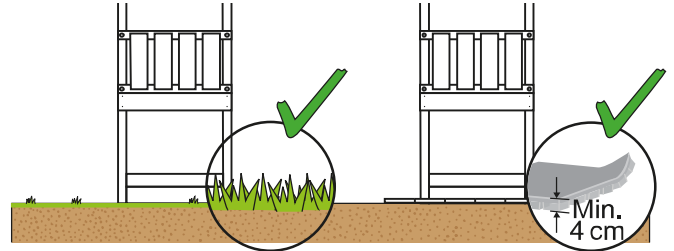
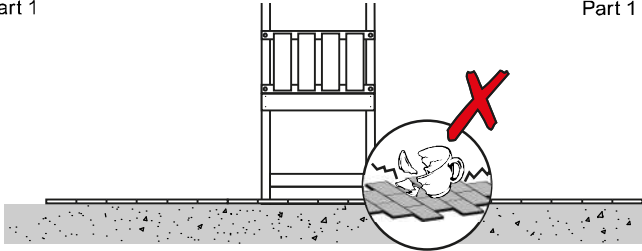


Part 1



6

Part 1

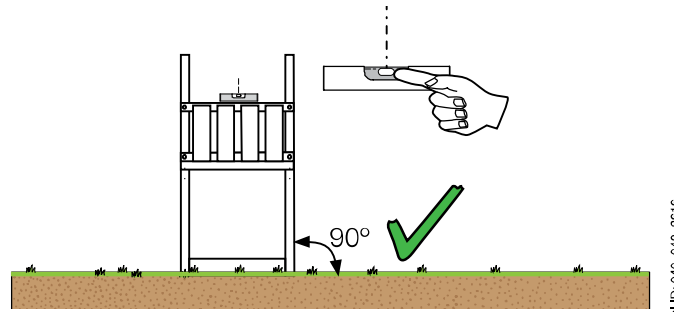
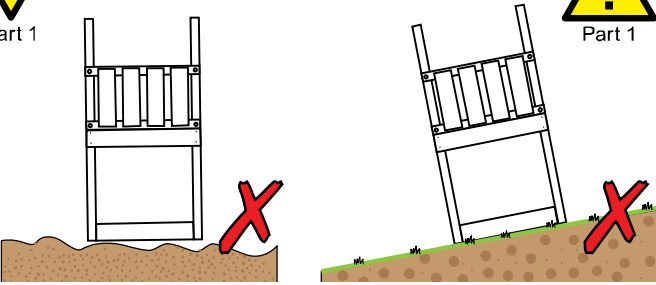


Part 1

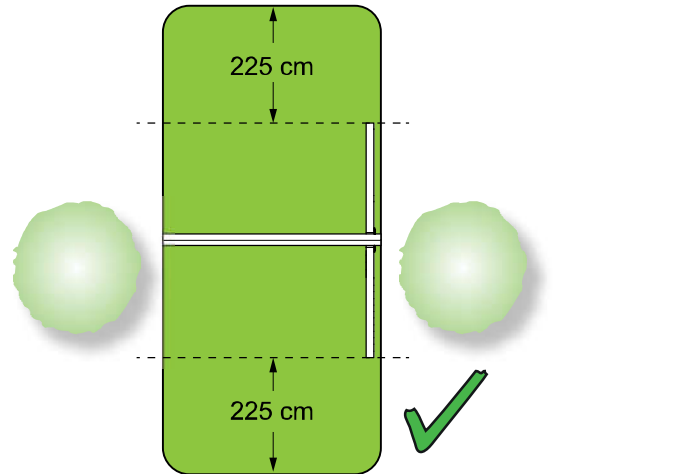
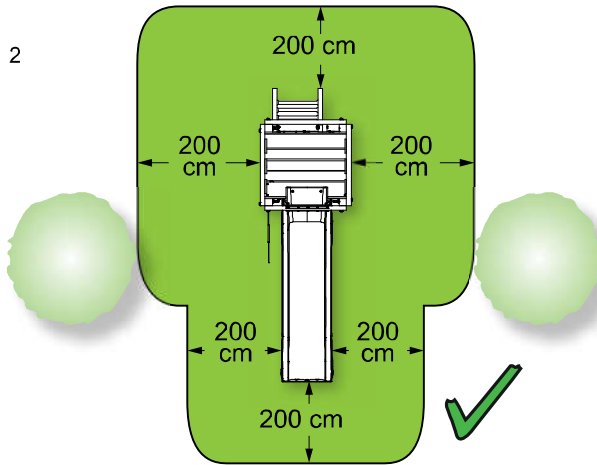


10

Part 1



Part 1

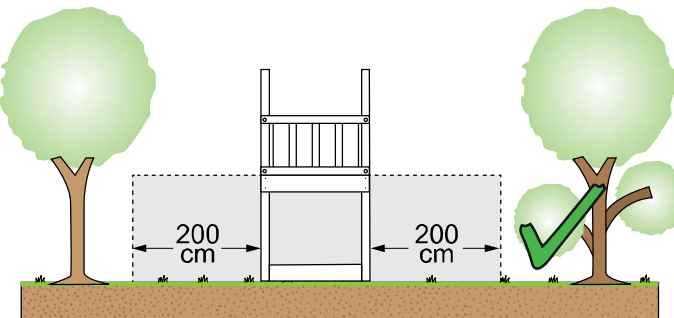
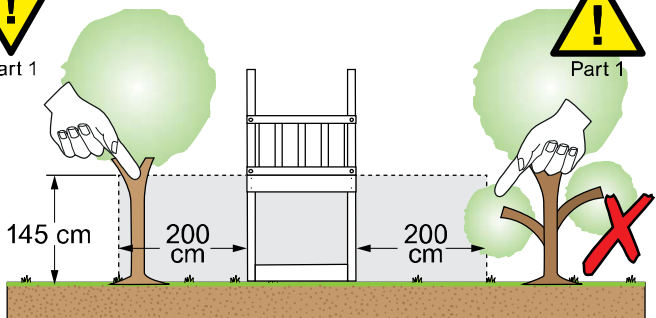


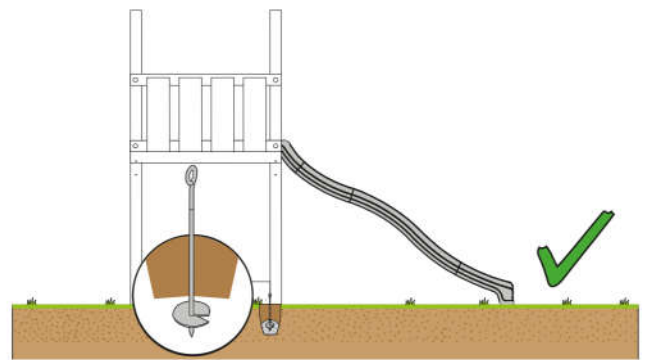
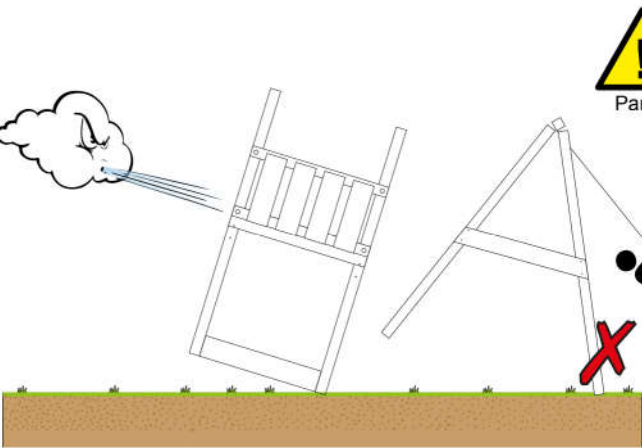
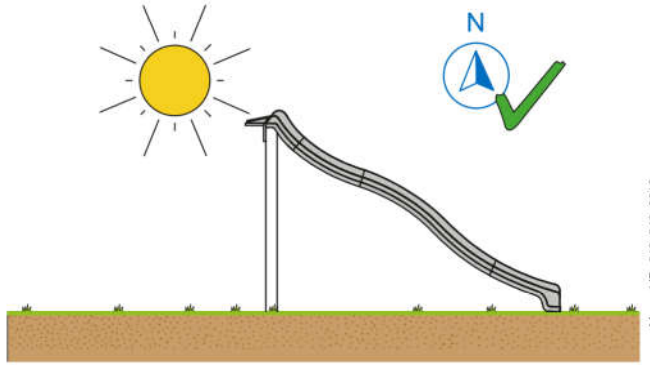
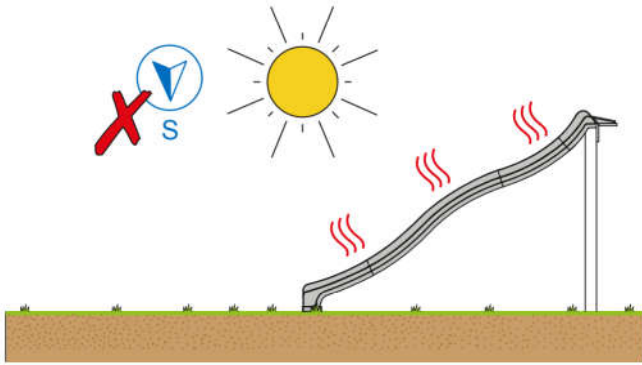
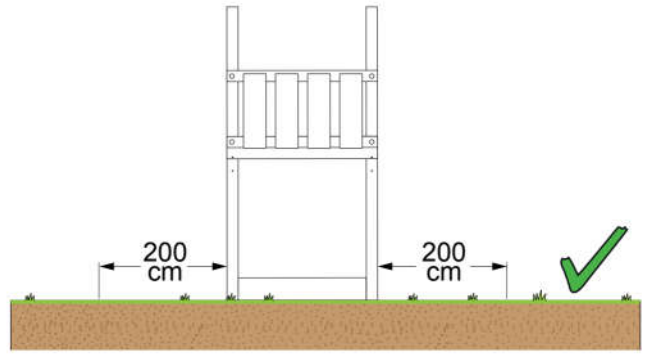
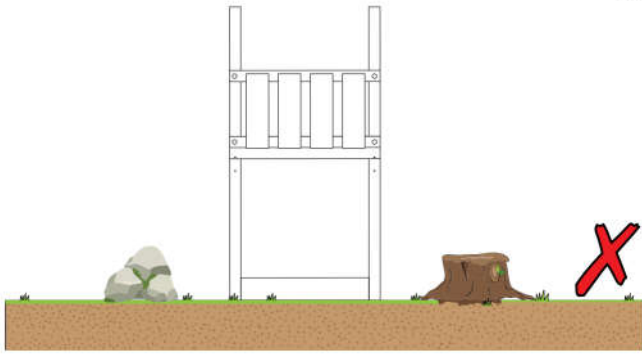
Part 1



3 & 6

Part 1

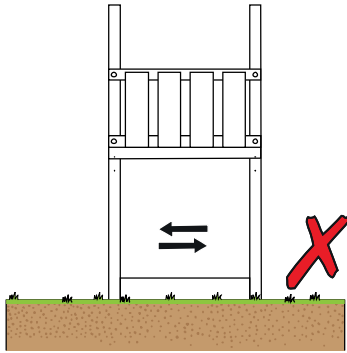




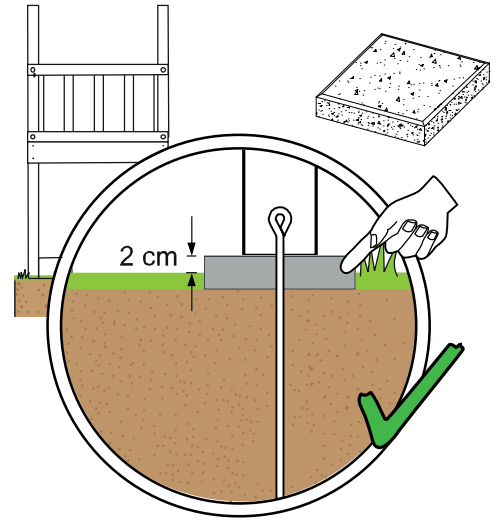
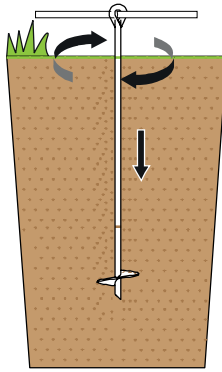
Manual ID: 040_040_2616



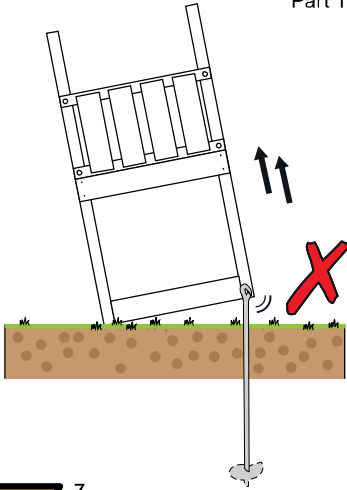
Part 1



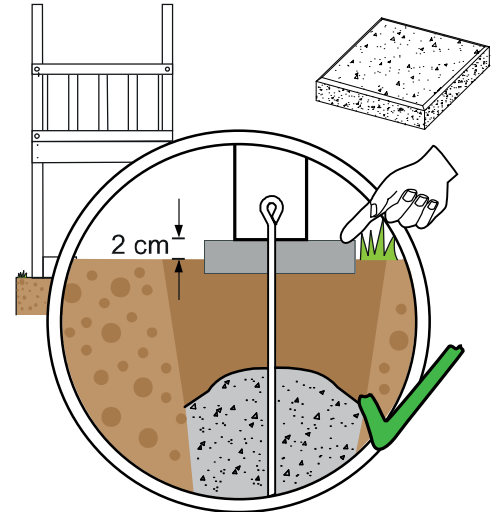
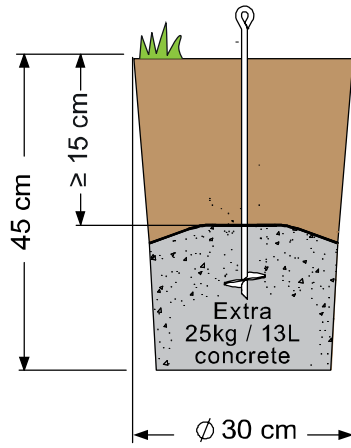
Part 1



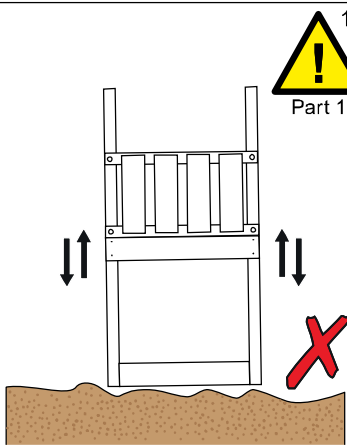
Part 1



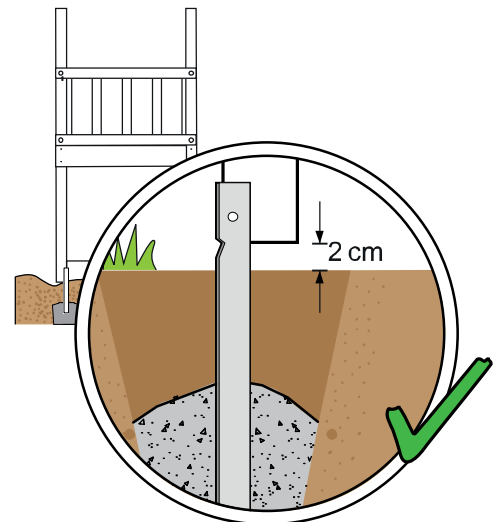
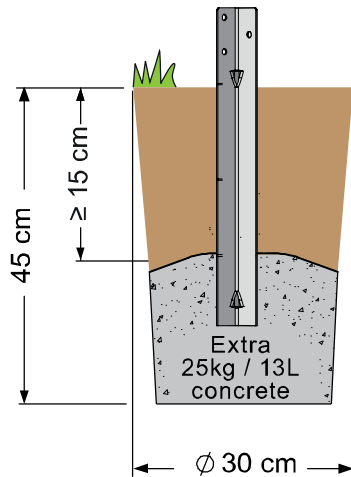
Part 1



Part 1



Part 1



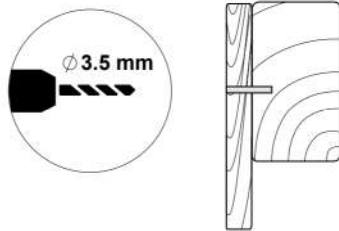
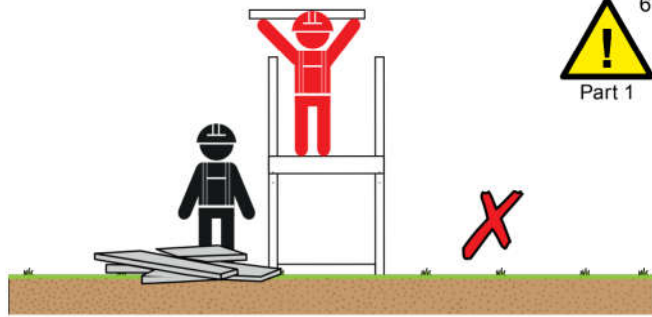
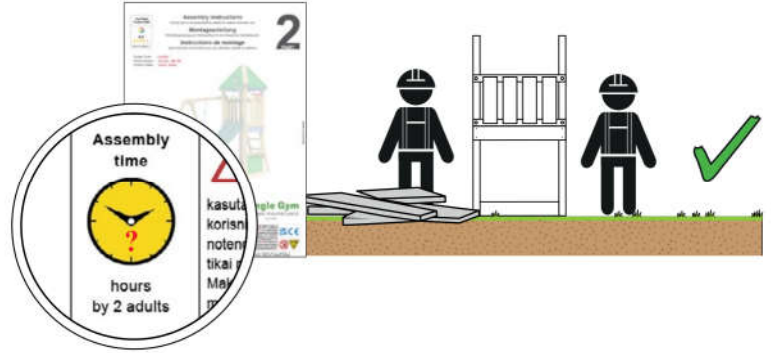
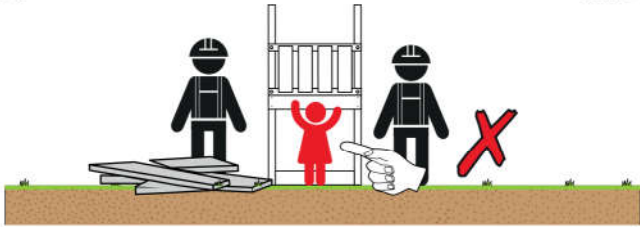
Optional: Post anchors



Assembly and safety notices

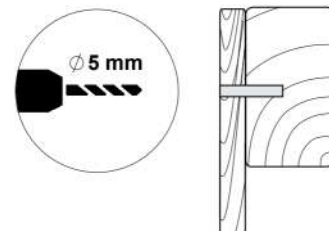
Montage- und Sicherheitshinweise

Instructions de montage et de sécurité



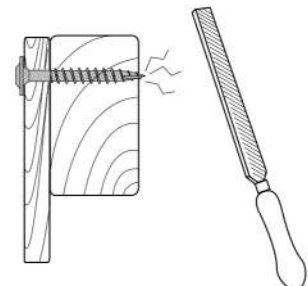
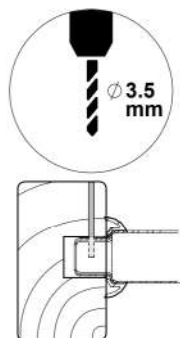
80mm 

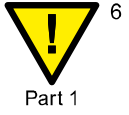
45mm 



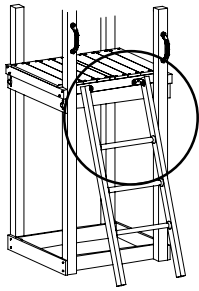
80mm 

45mm 

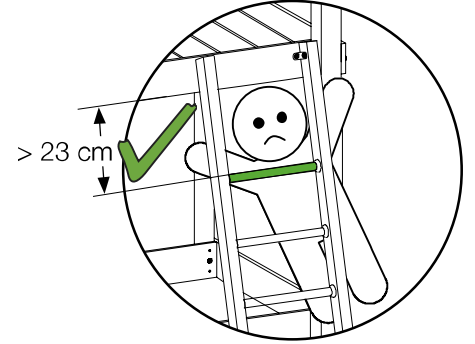
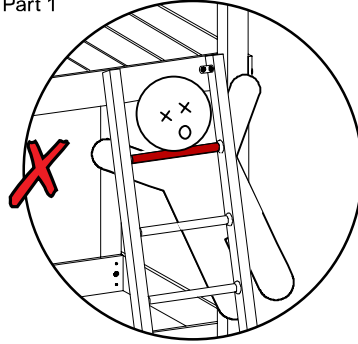




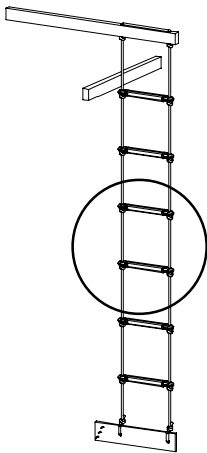
Part 1



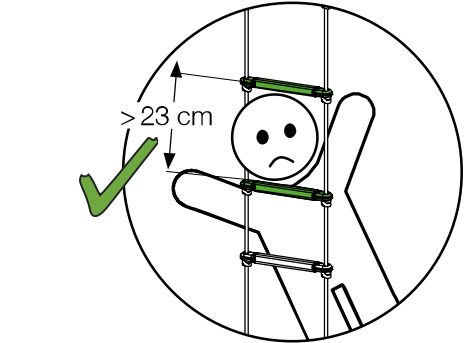
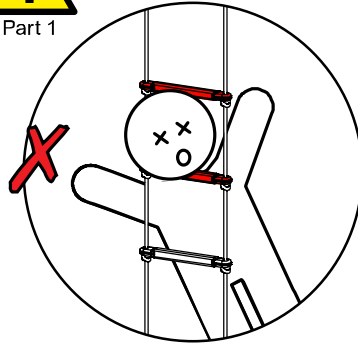
Part 1



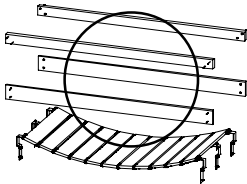
Part 1



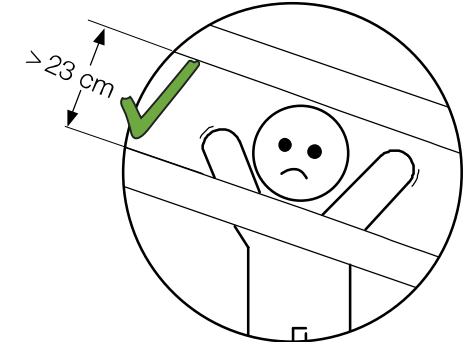
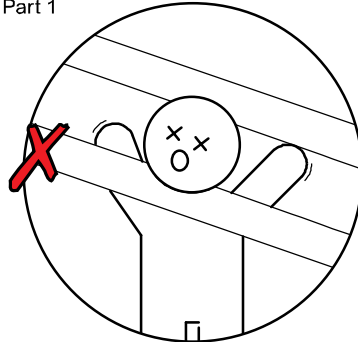
Part 1



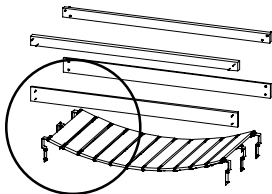
Part 1



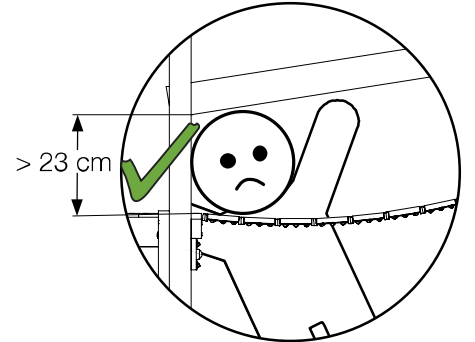
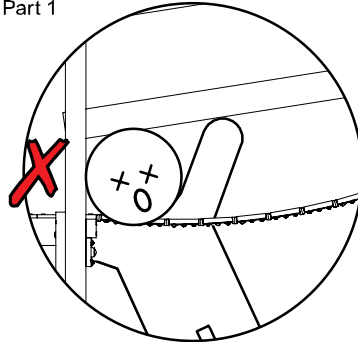
Part 1

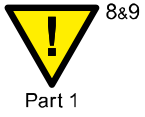


Part 1



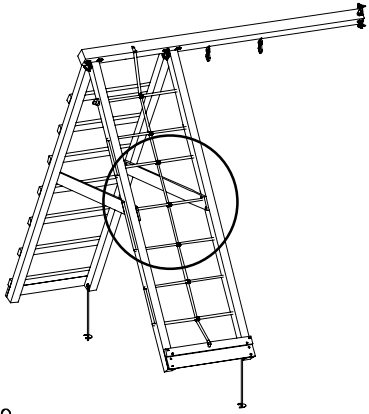
Part 1





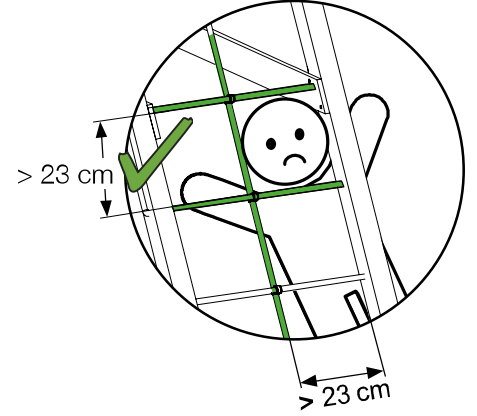
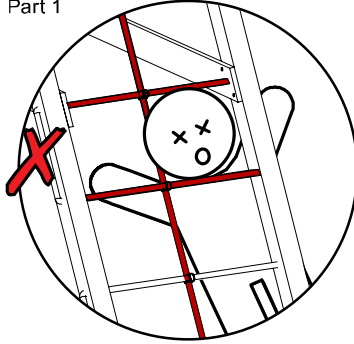
8&9

Part 1



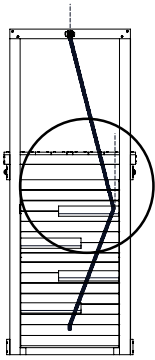
9

Part 1



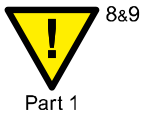
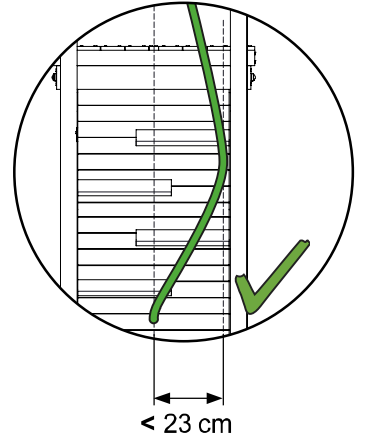
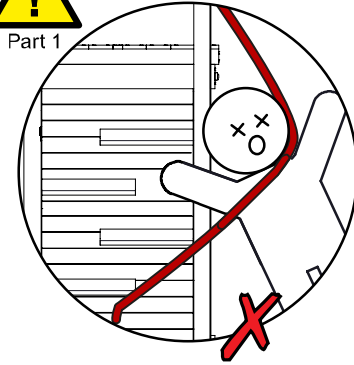
8&9

Part 1



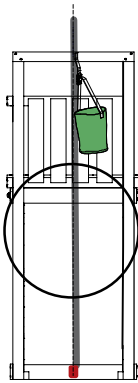
9

Part 1



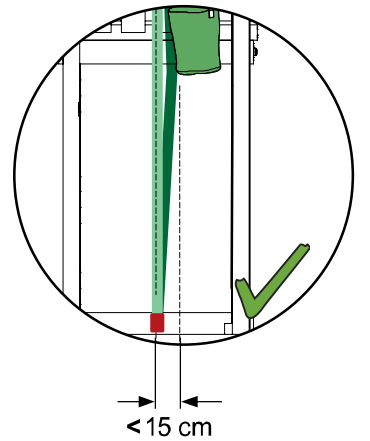
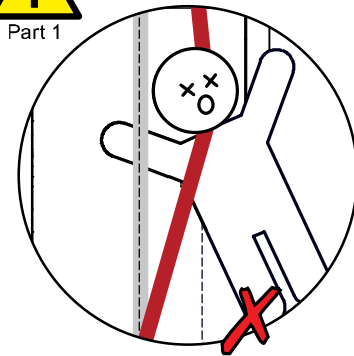
8&9

Part 1



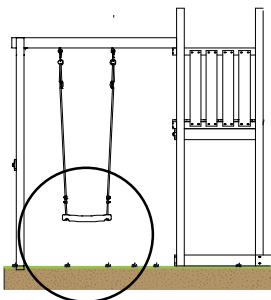
9

Part 1



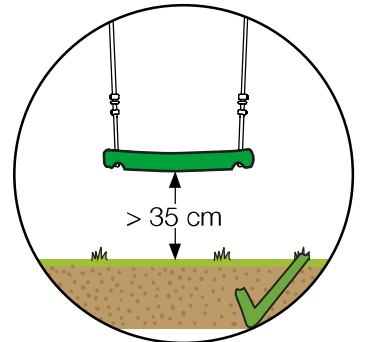
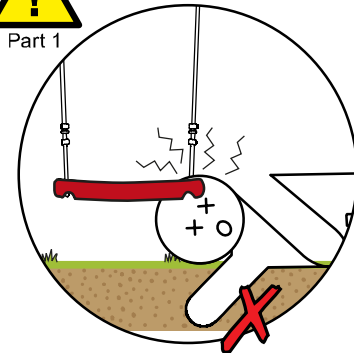
8&9

Part 1



3

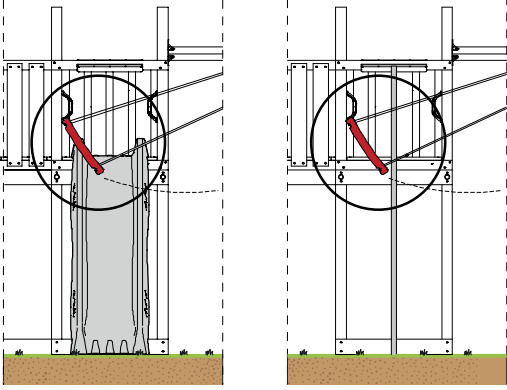
Part 1





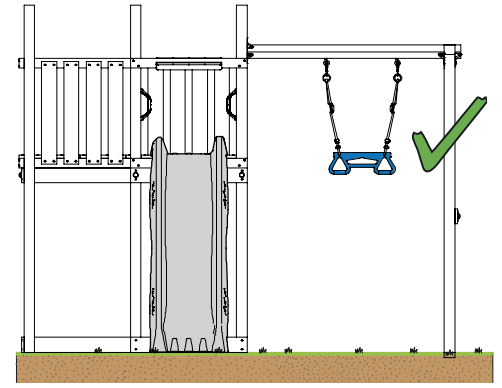
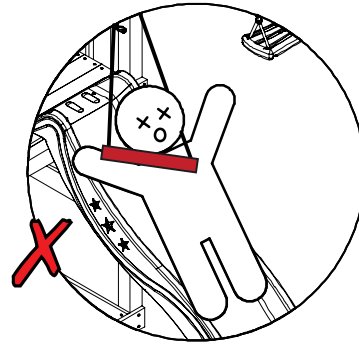
10

Part 1



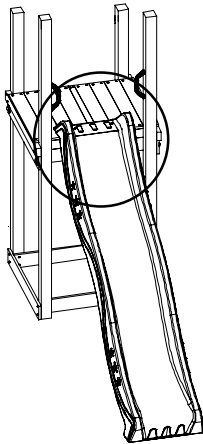
4&9

Part 1



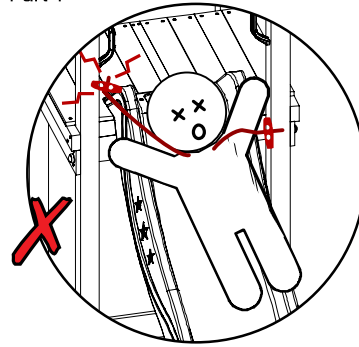
10

Part 1

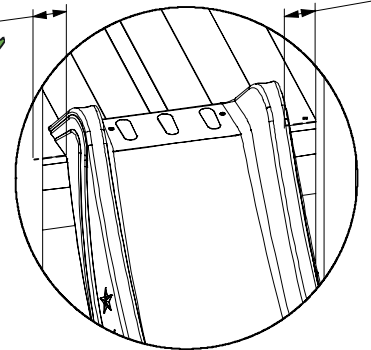


4&9

Part 1



min. 26 mm
max. 75 mm

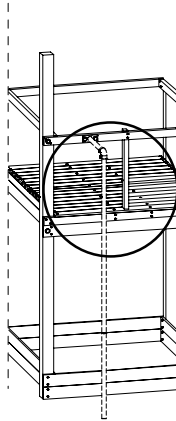


min. 26 mm
max. 75 mm



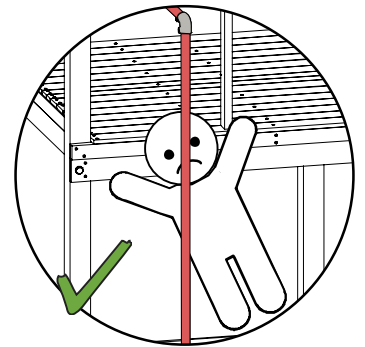
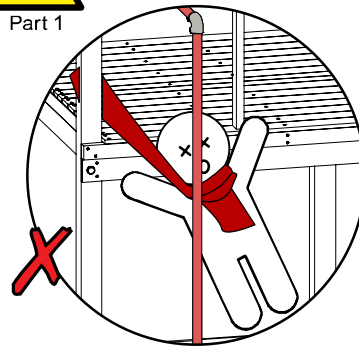
10

Part 1



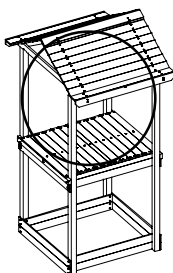
4&9

Part 1



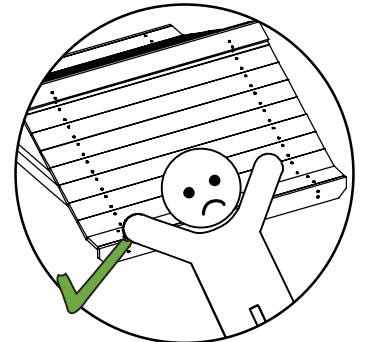
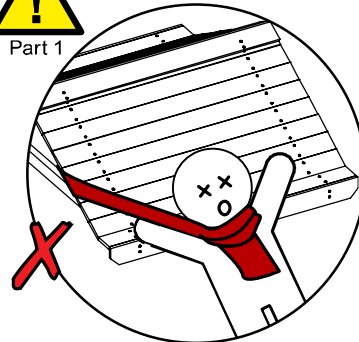
13

Part 1



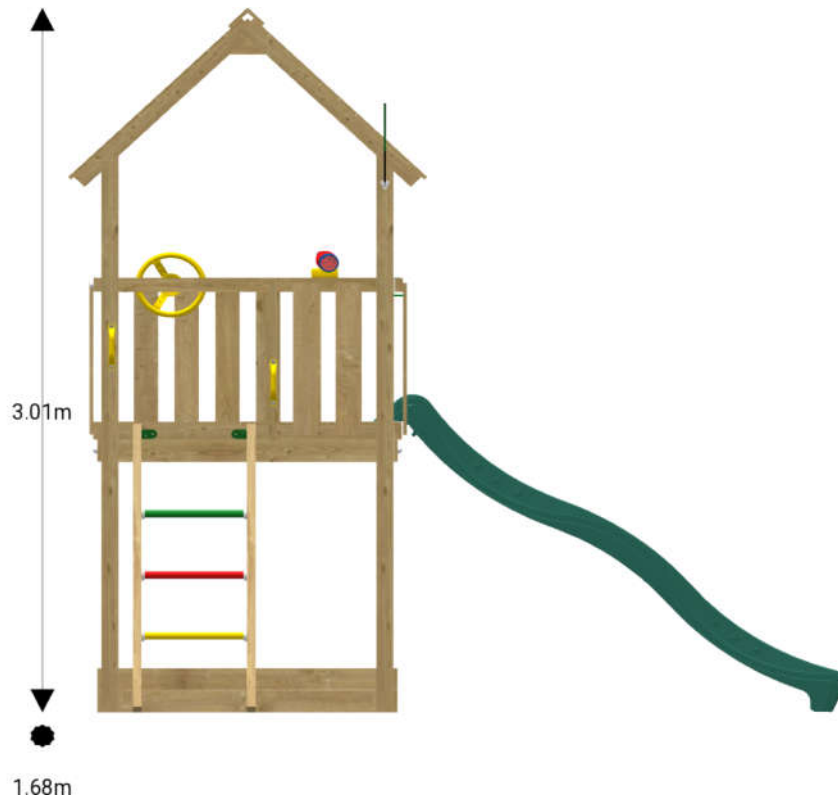
4&9

Part 1







Dimensions Abmessungen Dimensions



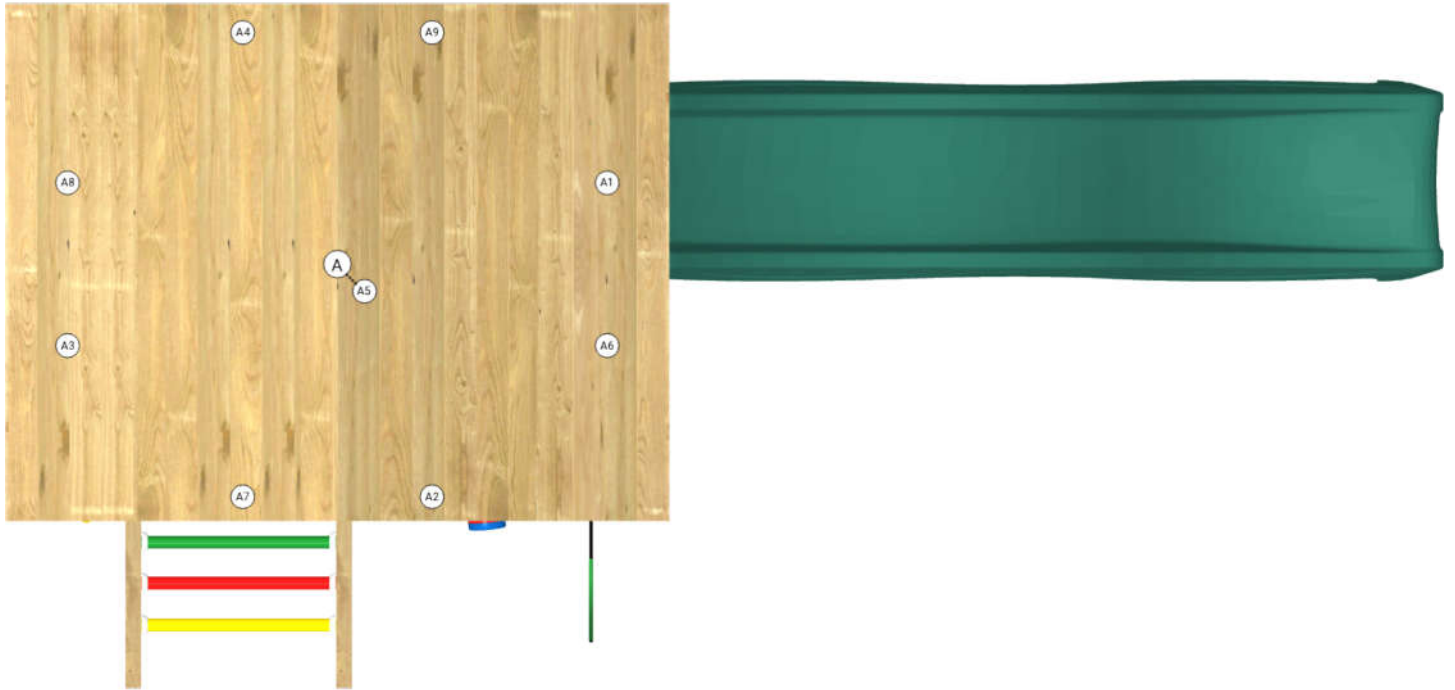








Assembly sequence Montagereihenfolge Séquence d'assemblage

3D | 360°
View


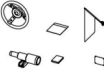



Scan | Click



	Print ID			Positions
1	BT11a		p.19	(A)
2	BL03a		p.22	(A9)
3	BL04a		p.23	(A3)
4	RF08b		p.24	(A5)
5	LA11a		p.27	(A7)
6	SL09a		p.30	(A1)

Manual ID: 040_040_2616

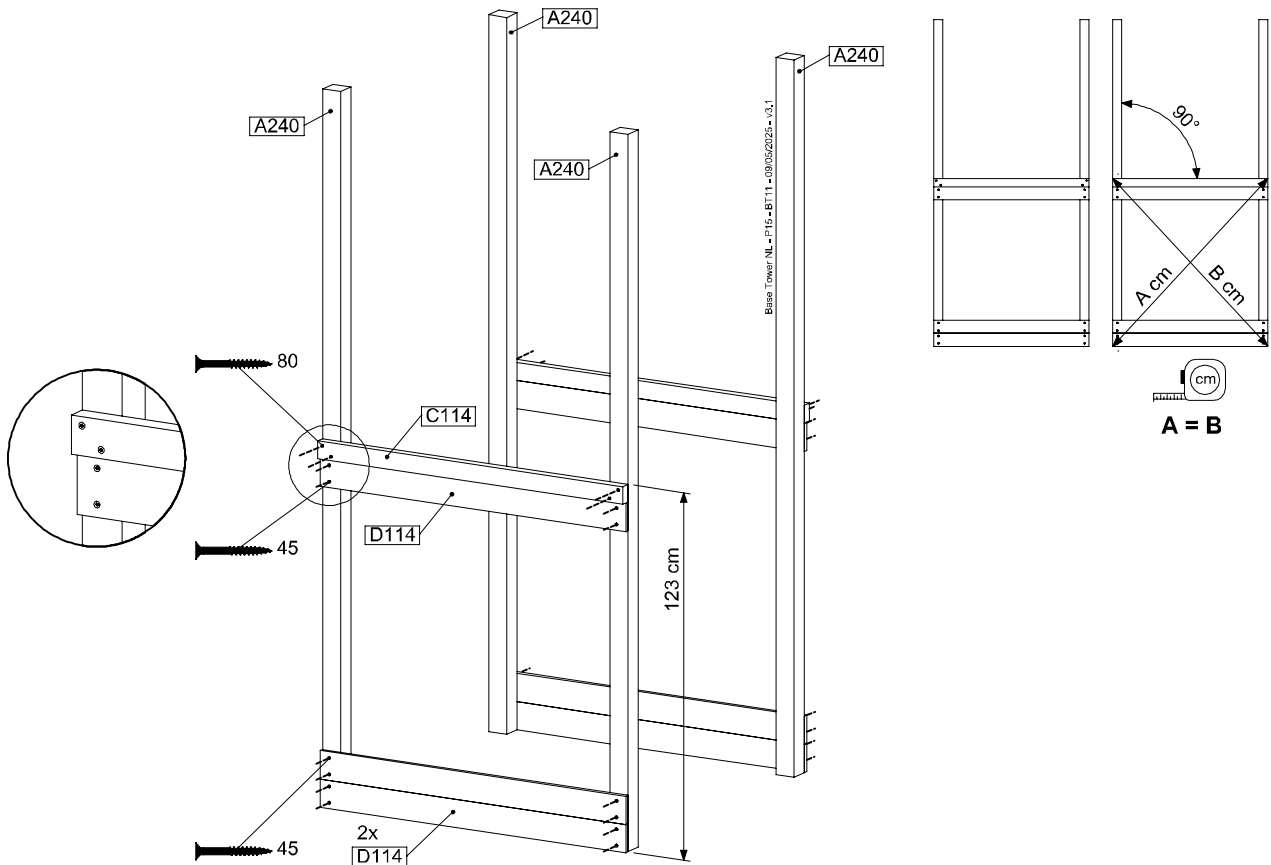
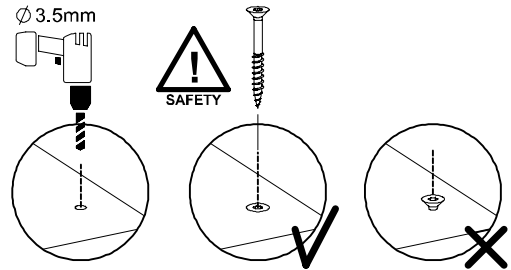
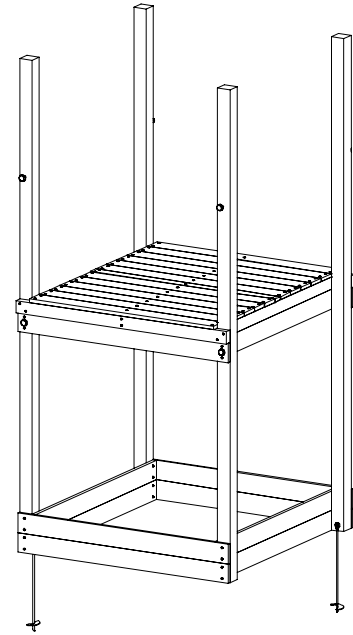
	Print ID			Positions
7	GA		p.34	(A)
8	AC01a		p.36	(A)

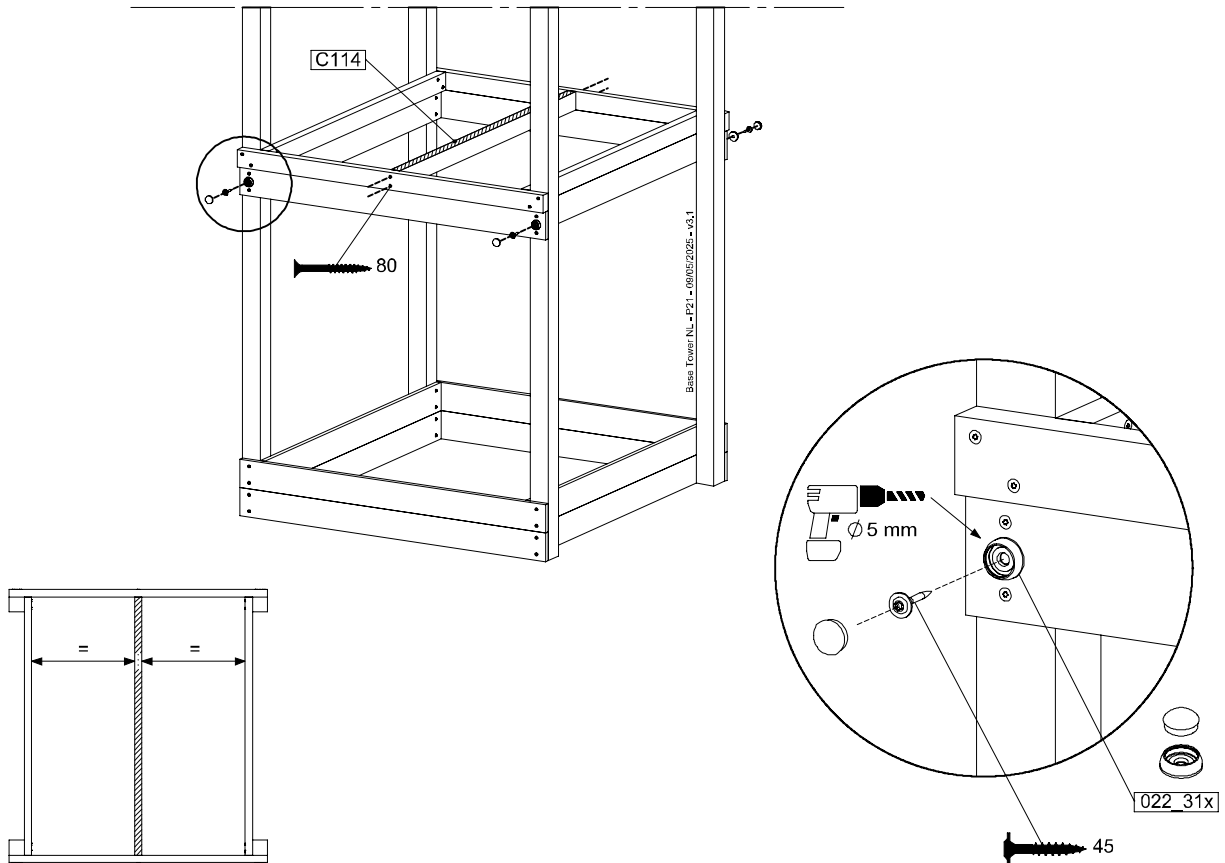
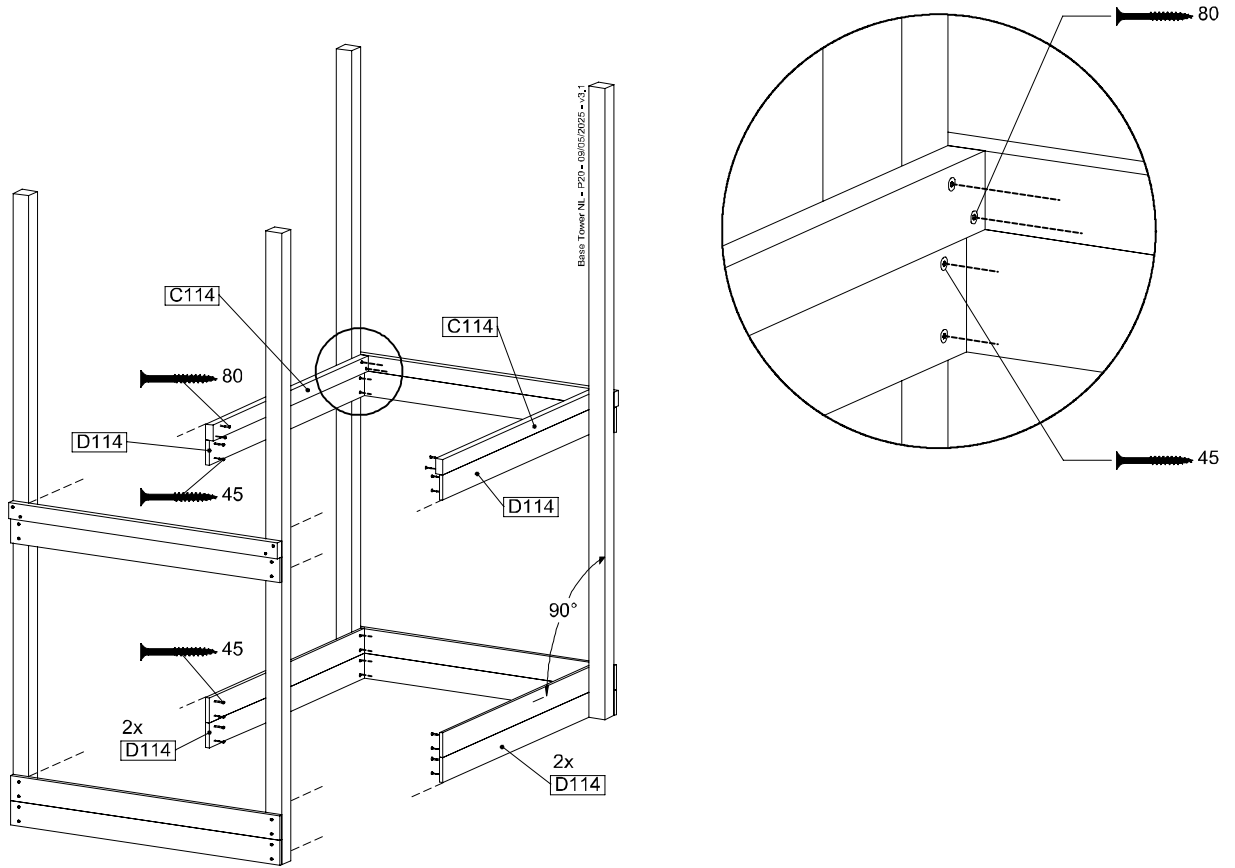
1 BT11a: Base Tower 115 125cm 240240

Assembly Pack: 194_300

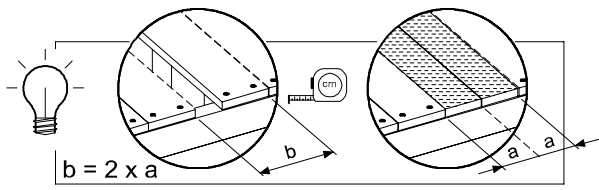
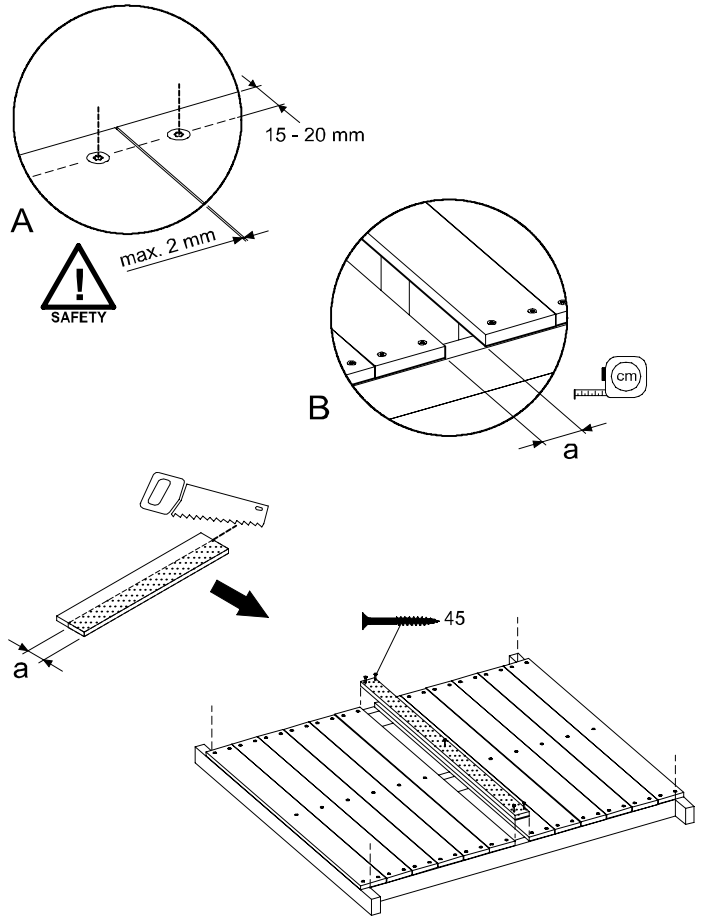
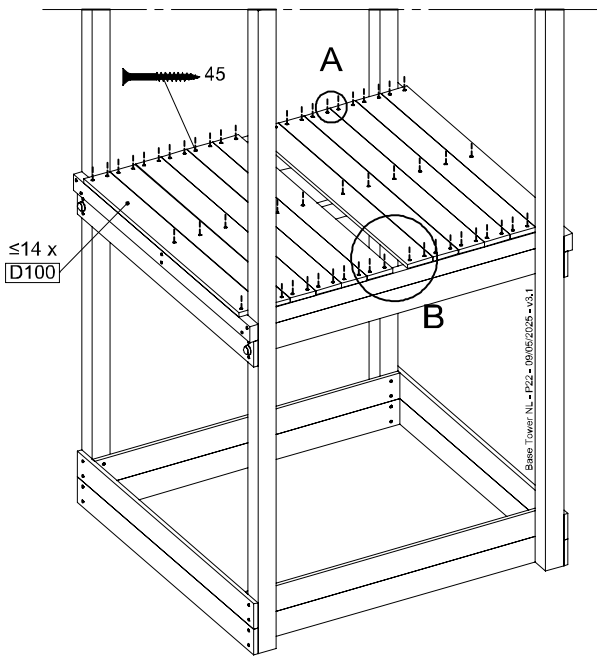
	PartNo	PartName	QTY.
Hardware + Parts	001_406	Stealth Screw 8x45	6
	001_417	Stealth Screw 8x80	4
	002_220	Gap Point Screw T25 - 5x45	118
	002_223	Gap Point Screw T25 - 5x80	20
	022_31x	bpc-base version 3	8
	022_84x	bpc cover	8
	007_001	Ground-anchor	2
Timber	A240	Post ca.70x70 L2400	4
	C114	Beam 1140 mm	5
	D100	Board 1000 mm	14
	D114	Board 1140 mm	12

Base Tower NL = P15 = BT11 = 090502025 = v3.1





1.2

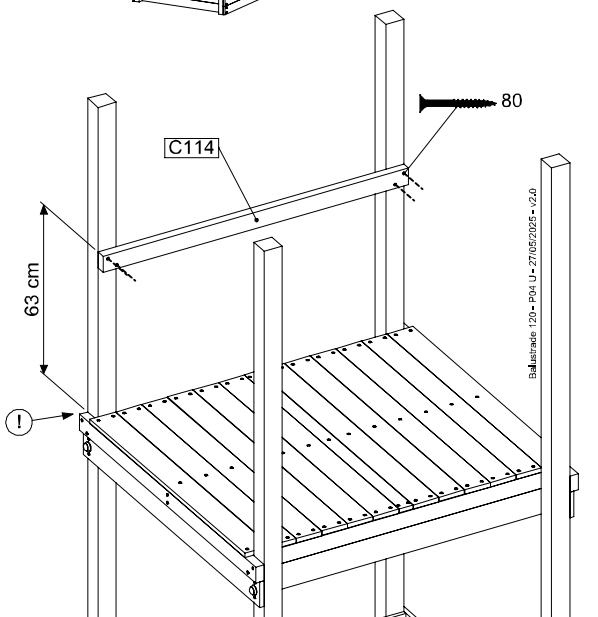
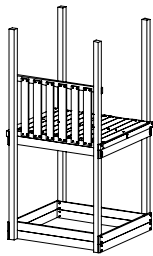
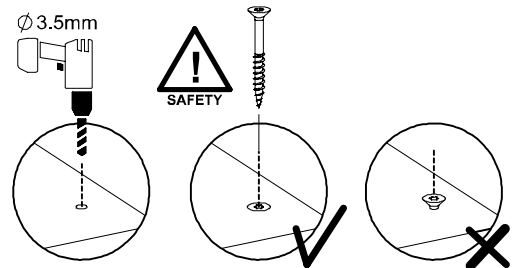
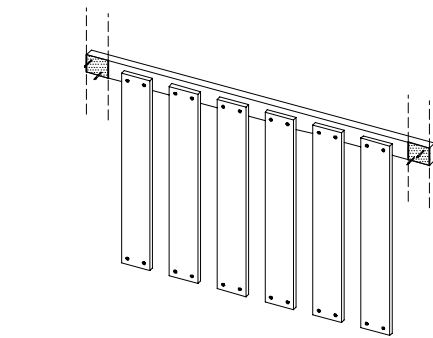


2 BL03a: Balustrade 115 U

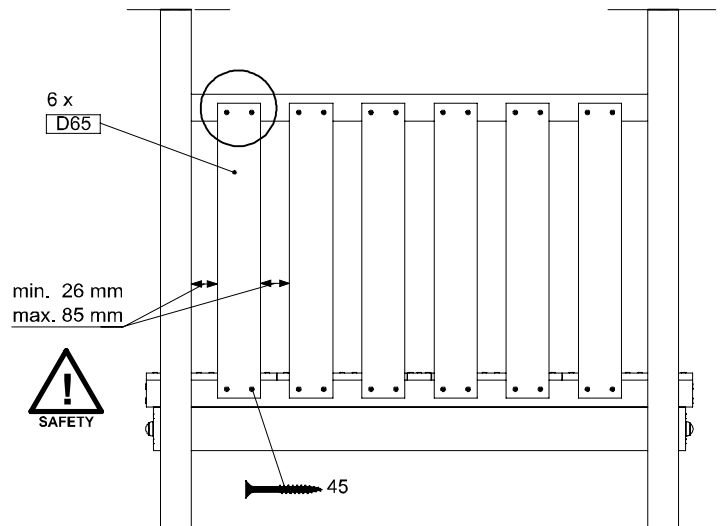
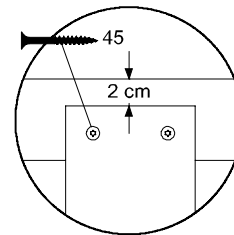
Assembly Pack: 194_501

	PartNo	PartName	QTY.
Hardware + Parts	002_220	Gap Point Screw T25 - 5x45	24
	002_223	Gap Point Screw T25 - 5x80	4
Timber	C114	Beam 1140 mm	1
	D65	Board 650 mm	6

BL03a: 120 - P04_U - Z1/05/2025 - v2.0



BL03a: 120 - P04_U - Z1/05/2025 - v2.0

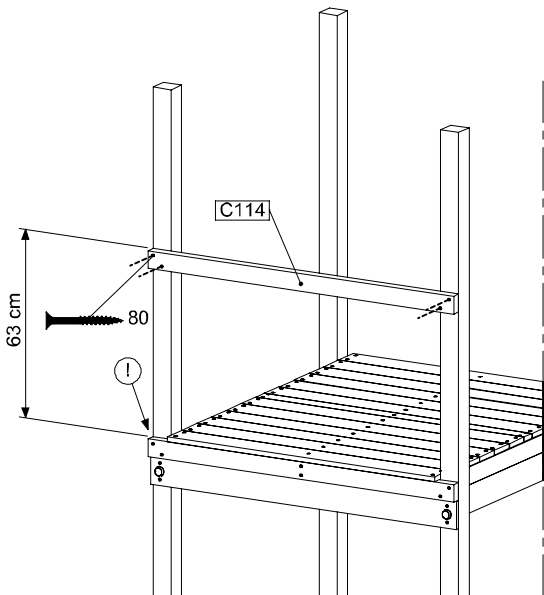
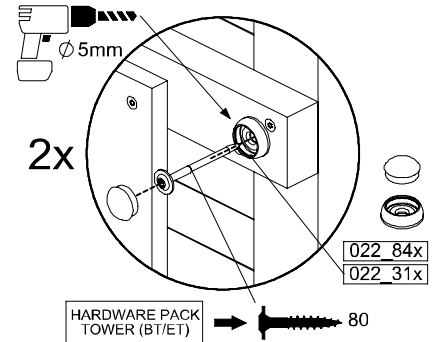
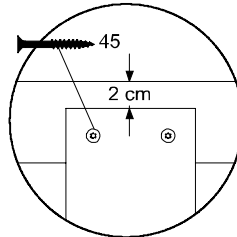
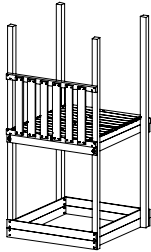
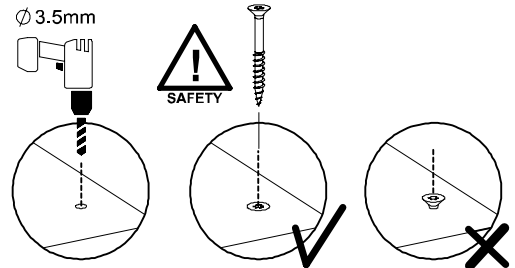
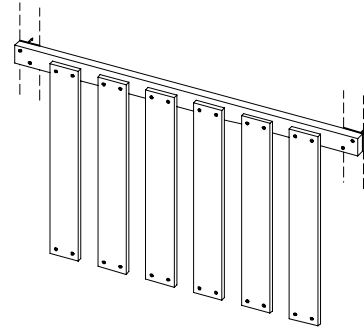


3 BL04a: Balustrade 115 T

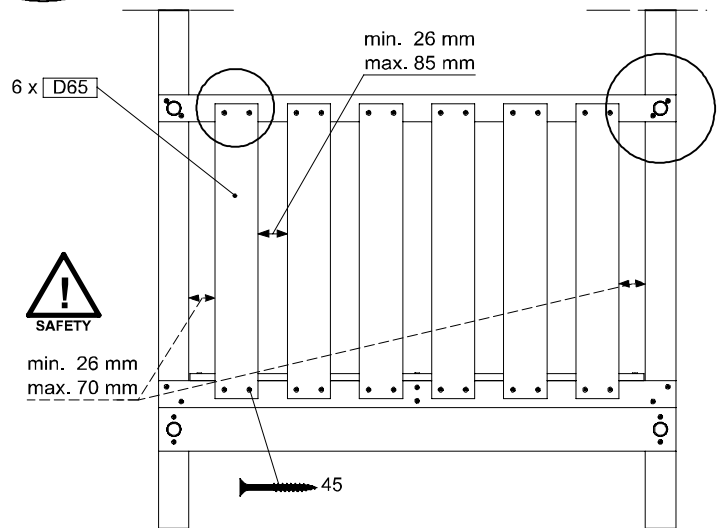
Assembly Pack: 194_501

	PartNo	PartName	QTY.
Hardware + Parts	002_220	Gap Point Screw T25 - 5x45	24
	002_223	Gap Point Screw T25 - 5x80	4
Timber	C114	Beam 1140 mm	1
	D65	Board 650 mm	6

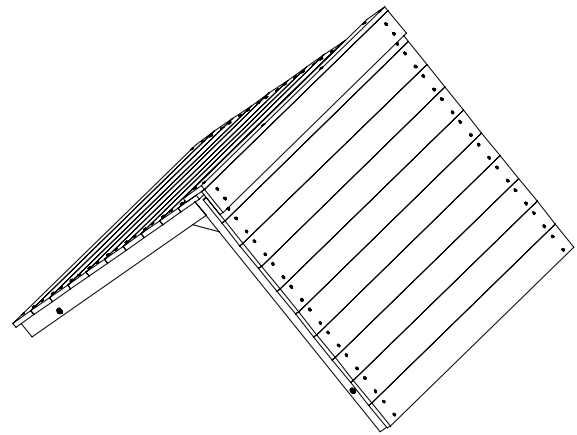
BL04a: 120 - P103 T - 27/05/2025 - v2.0



BL04a: 120 - P103 T - 27/05/2025 - v2.0

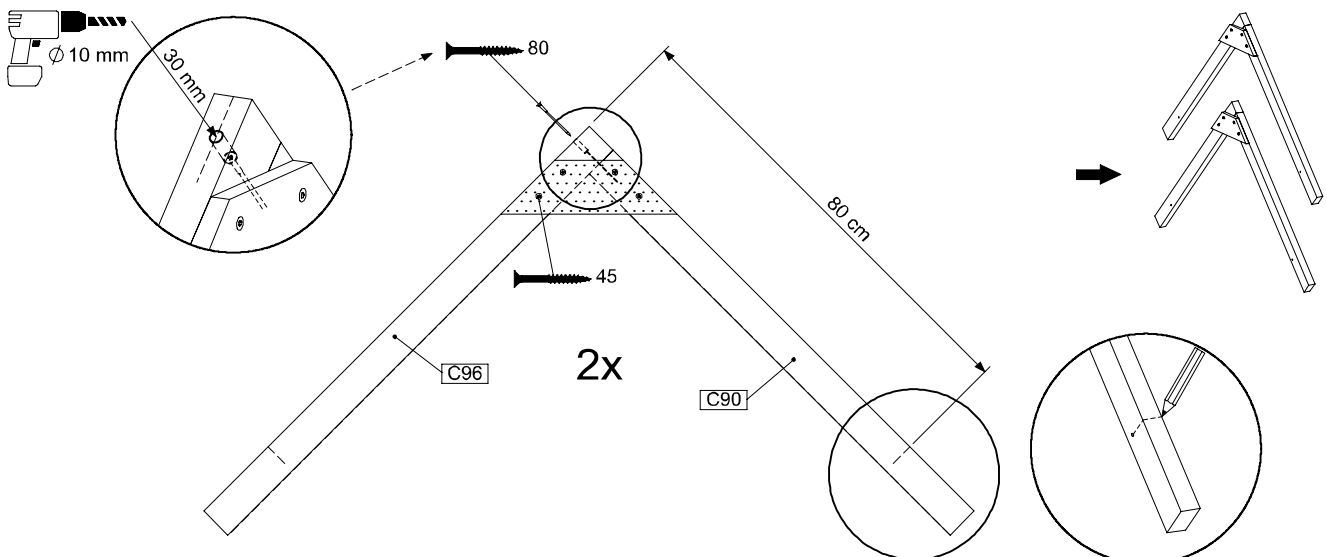
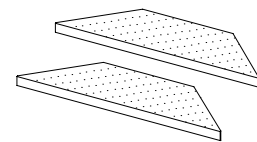
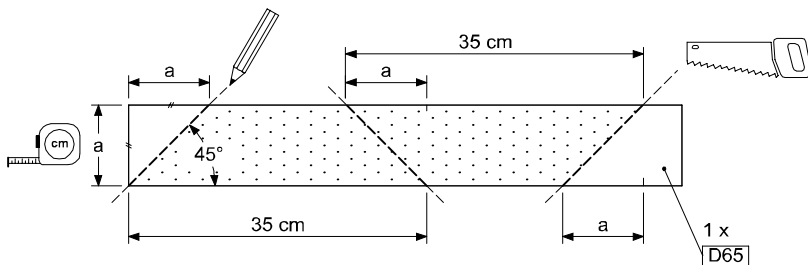
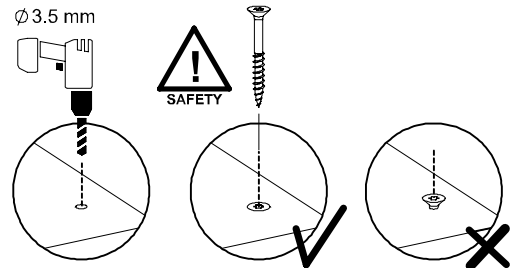


4 RF08b: Roof Timber Gable 115 - 2.0



Assembly Pack: 194_308 (RF08a) / 194_804 (RF08b)

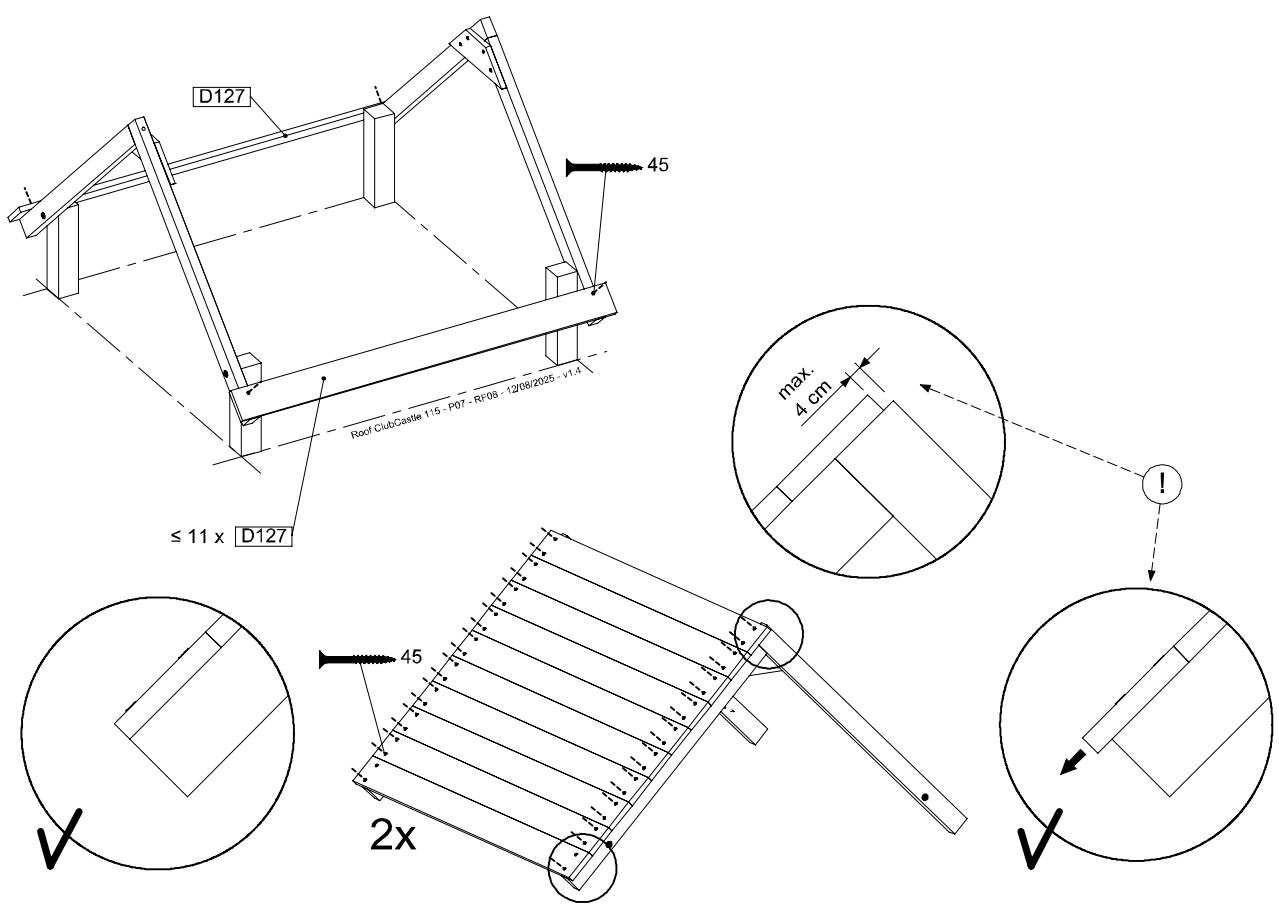
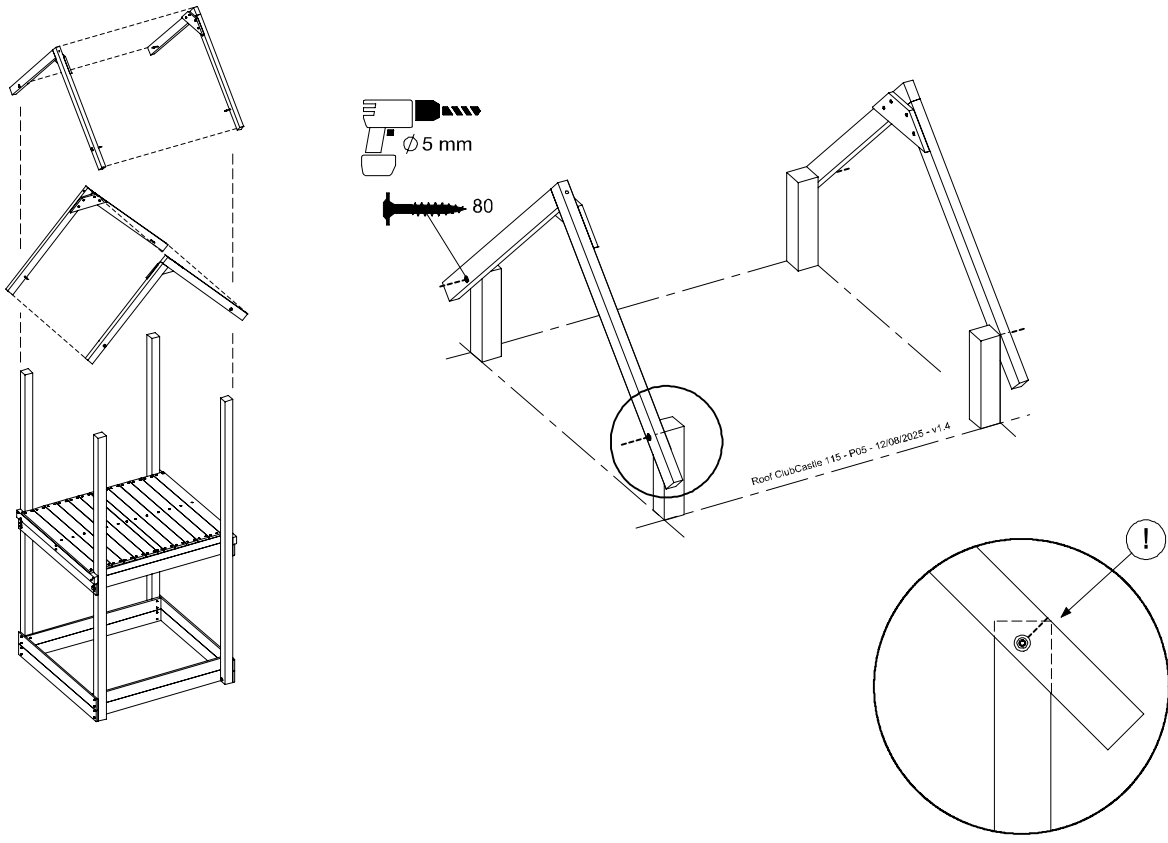
	PartNo	PartName	QTY.
Hardware Pack	001_417	Stealth Screw 8x80	4
	002_220	Gap Point Screw T25 - 5x45	100
	002_223	Gap Point Screw T25 - 5x80	8
Timber	C96	Beam 960 mm	2
	D65	Board 650 mm	1
	D127	Board 1270 mm	24
	C90	Beam 900 mm	2



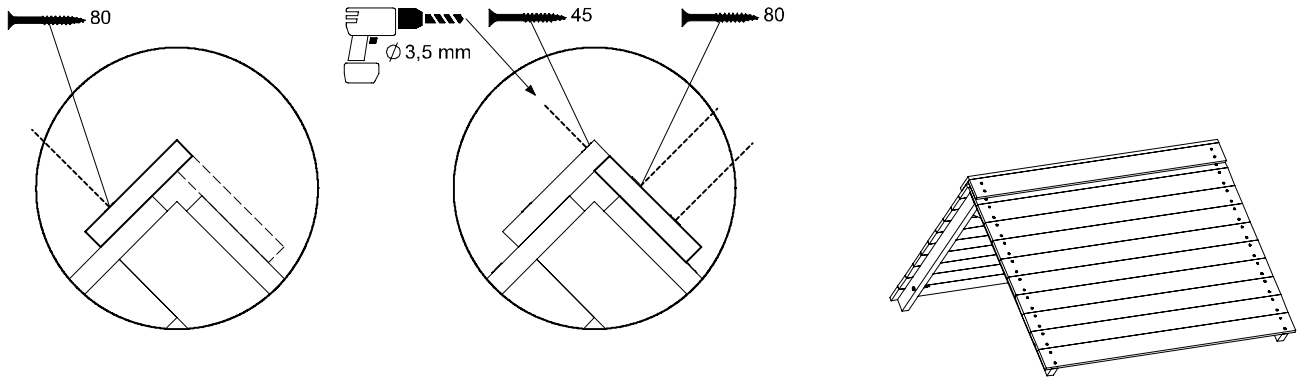
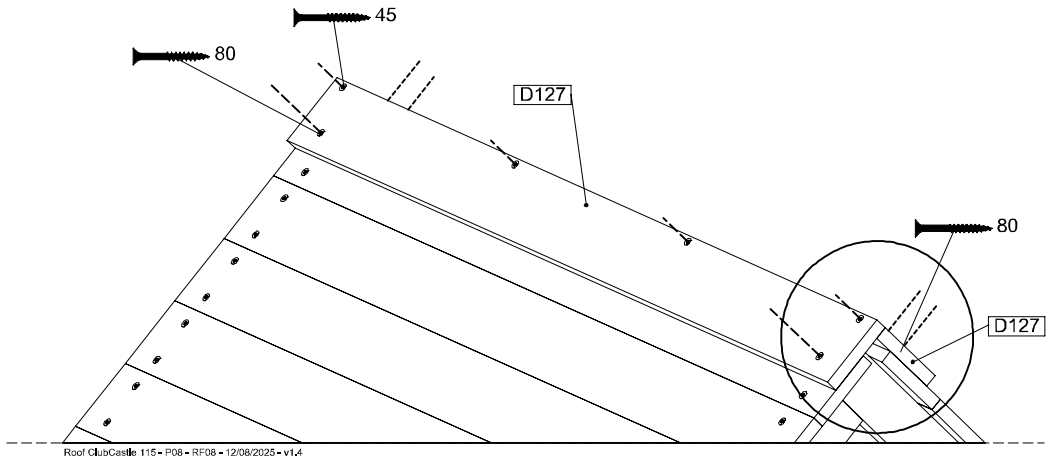
Roof ClubCasale 115 - P04 - 12/08/2025 - v1.4

Manual ID: 040_040_2616

4.1



4.2

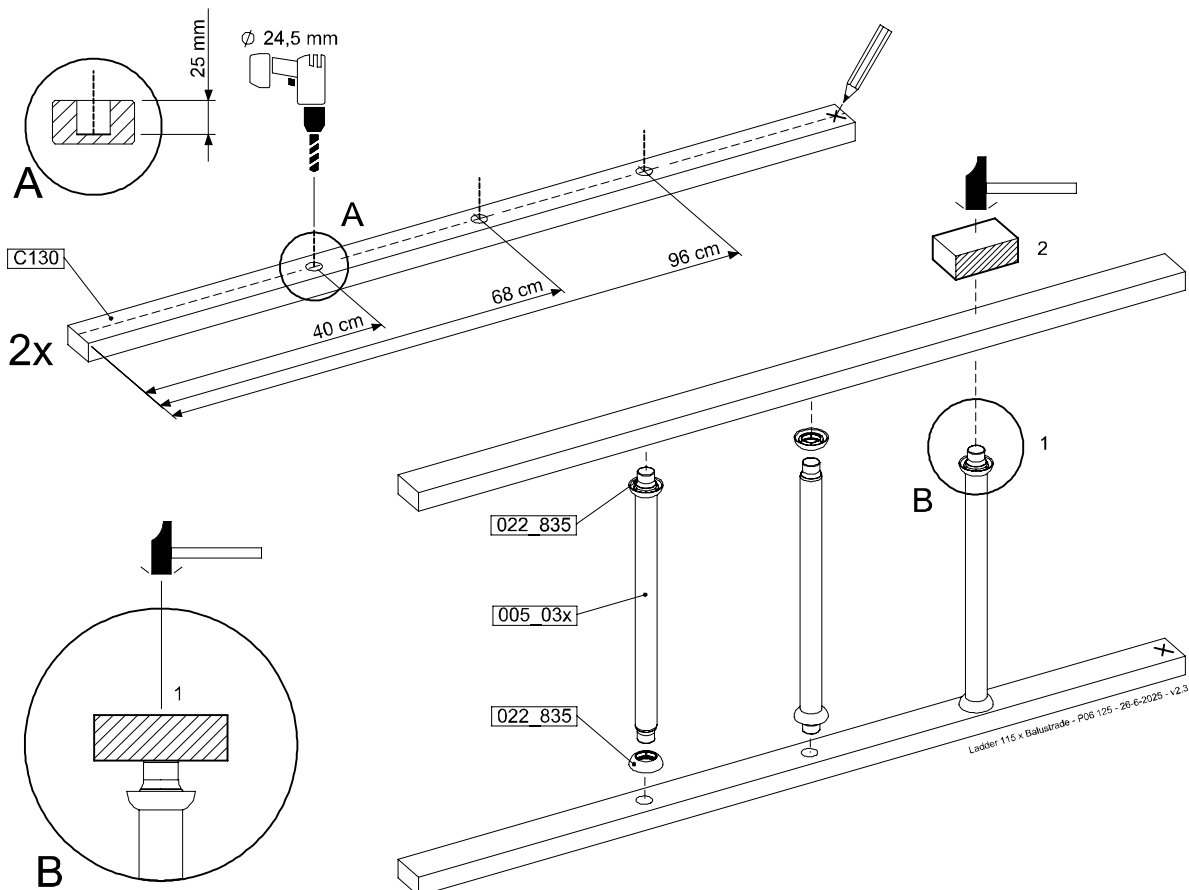
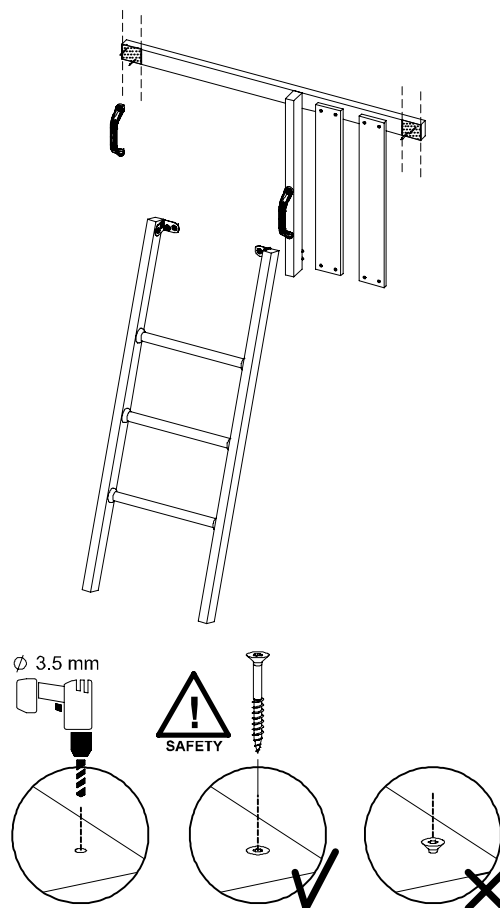


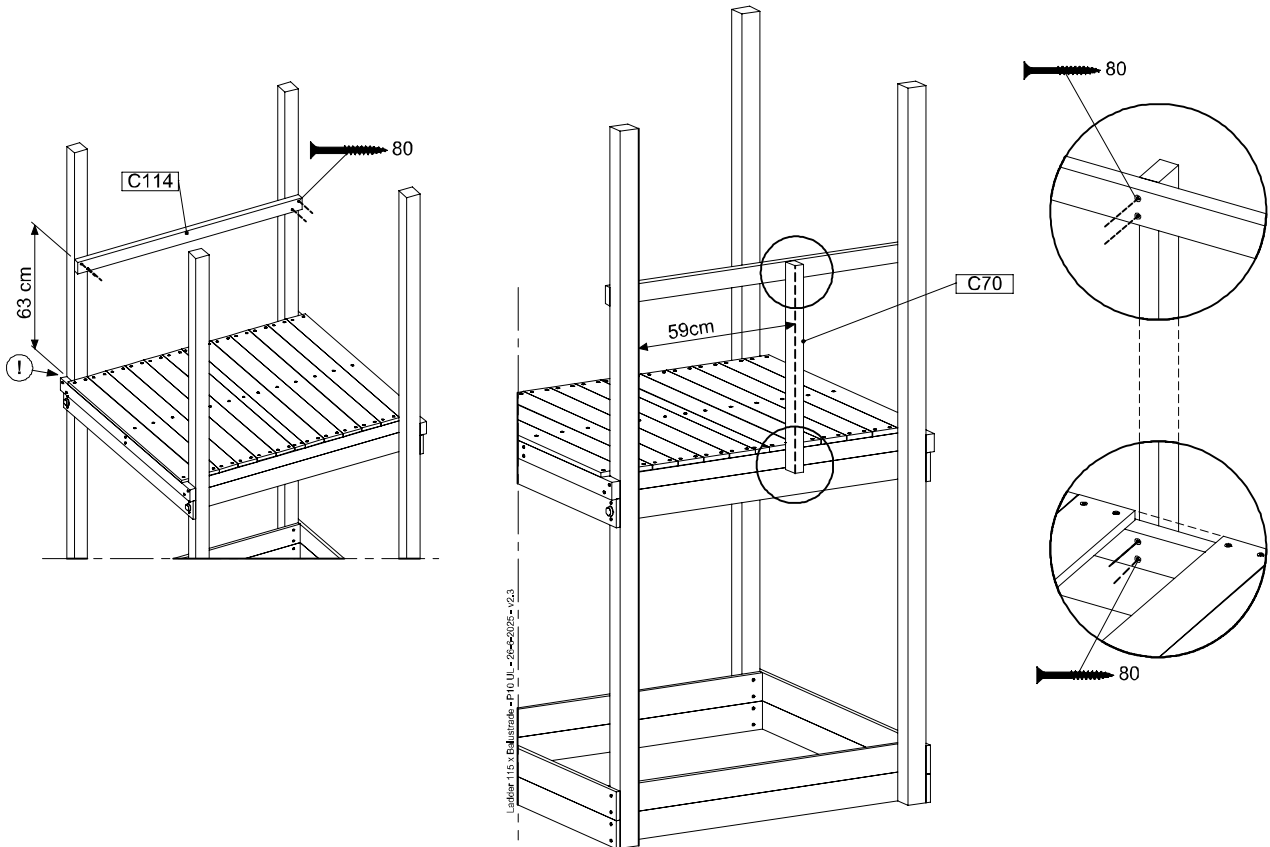
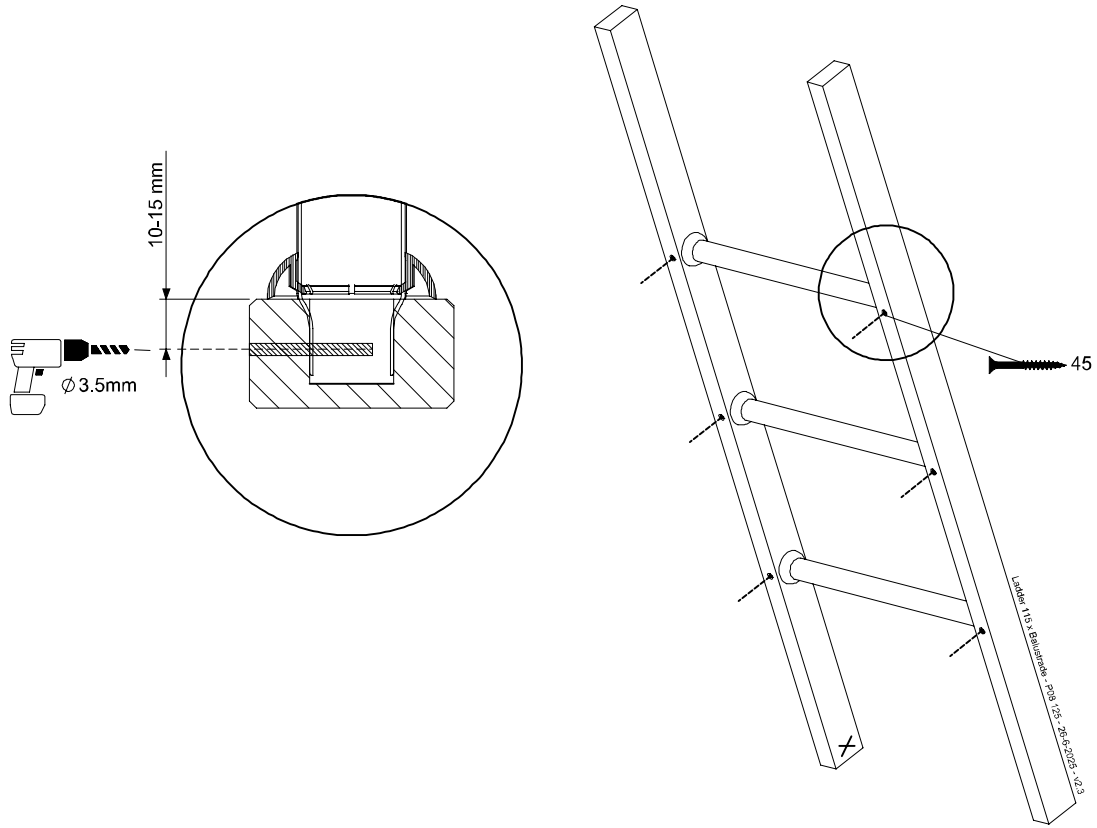
5 LA11a: Ladder 115 125 U Left

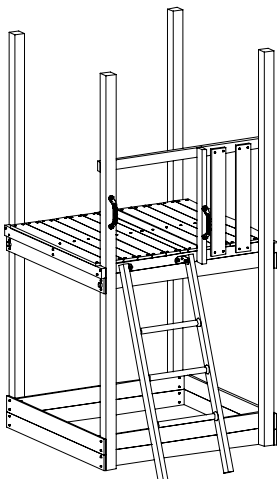
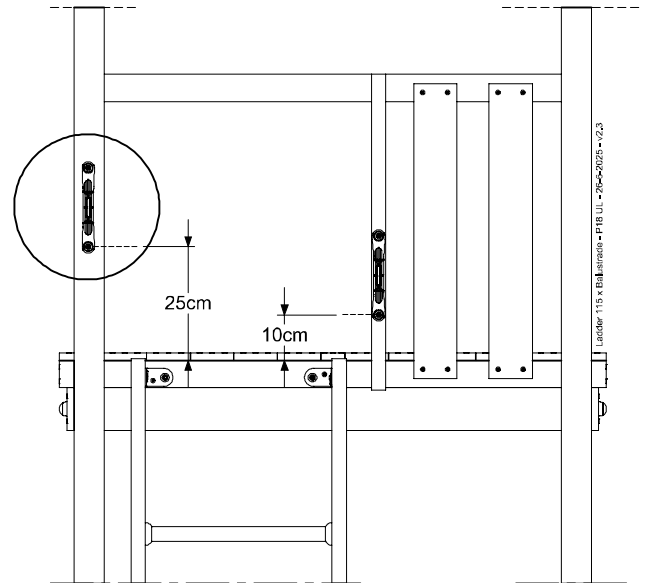
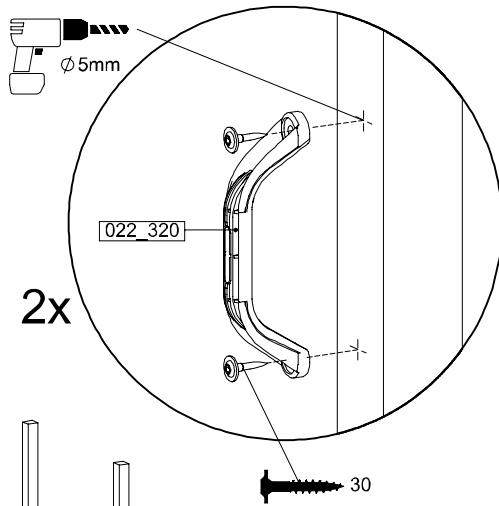
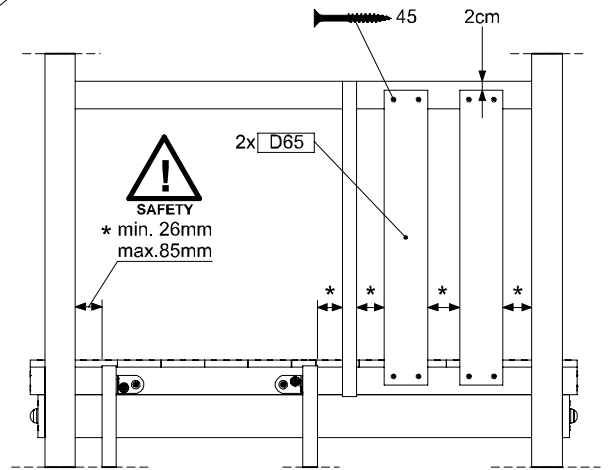
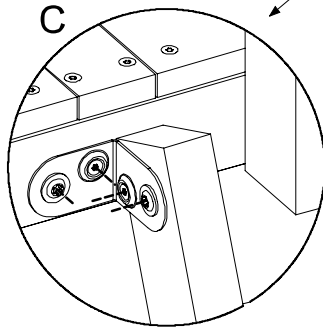
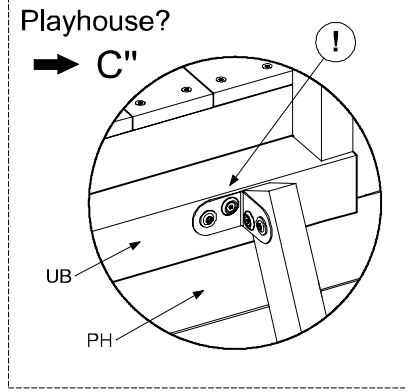
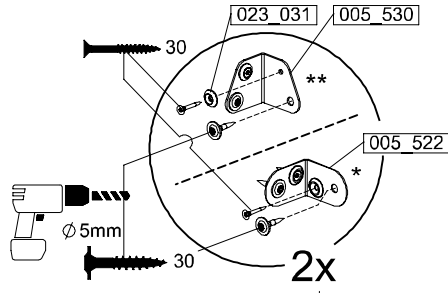
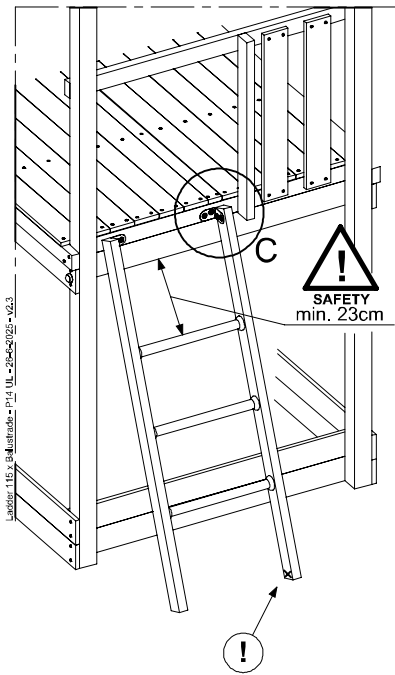
Assembly Packs: 194_003 (LA11a) /194_103 (LA11b) + 194_101

	PartNo	PartName	QTY.
Hardware + Parts	001_404	Stealth Screw 8x30	4
	002_219	Gap Point Screw T25 - 5x30	4
	002_220	Gap Point Screw T25 - 5x45	14
	002_223	Gap Point Screw T25 - 5x80	8
	005_03x	Ladder Rung Y/B/G/R	3
	005_522* /	Connection Bracket Mini Market /	2
	005_530**	Connection Bracket Ladder + 2x 023_031 Finishing Washer GPS 5.0	
		022_835	Rung Cap
	120_102	Handgrip set (complete 2x)	1
Timber	C70	Beam 700 mm	1
	C114	Beam 1140 mm	1
	C130	Beam 1300 mm	2
	D65	Board 650 mm	2

Ladder 115 x Bakustrade - P06 UI 125 - 26-6-2025 - v2.3





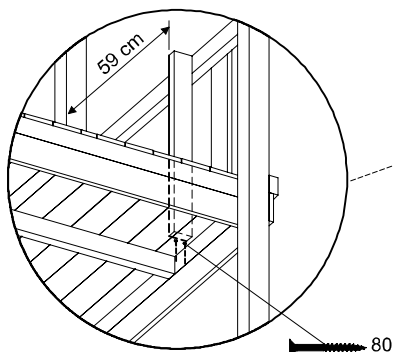
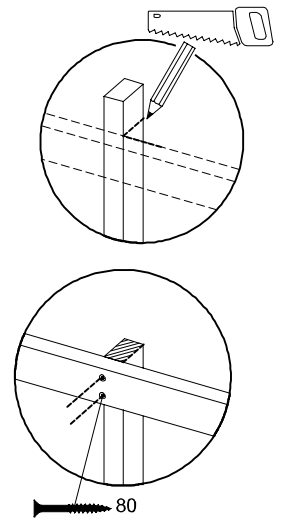
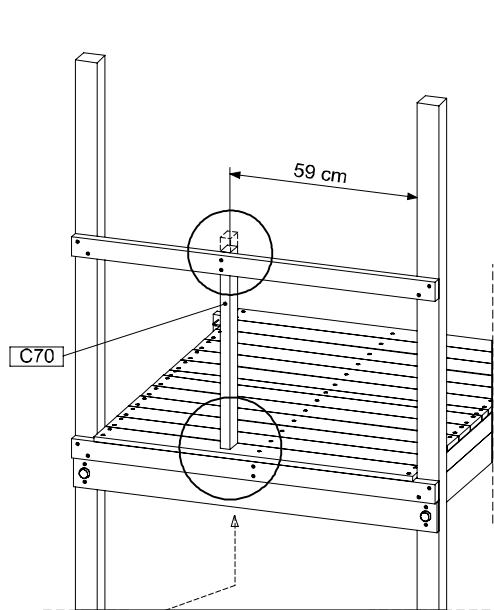
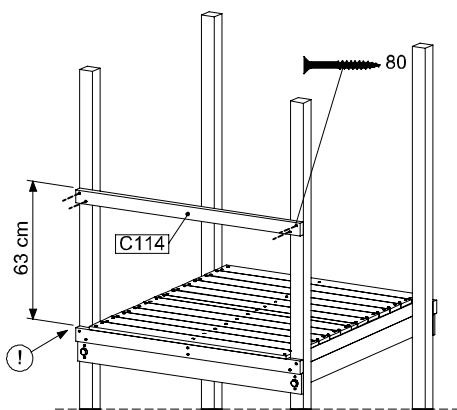
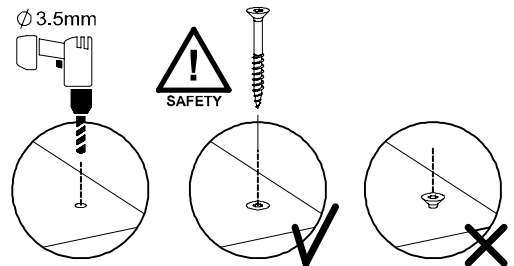
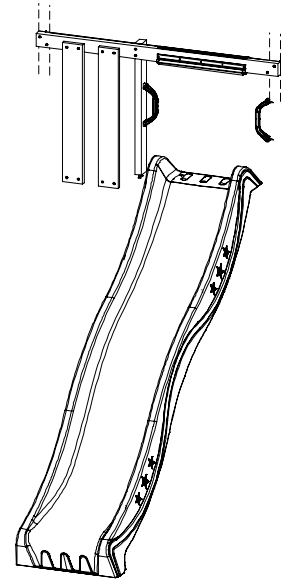


6 SL09a: Slide 115 125 T Right

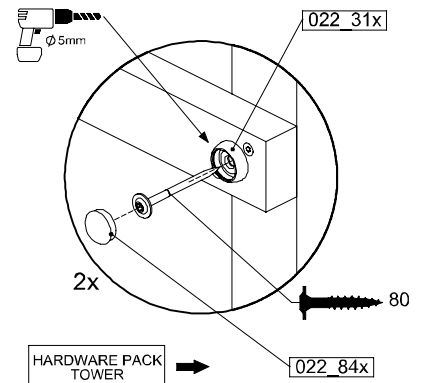
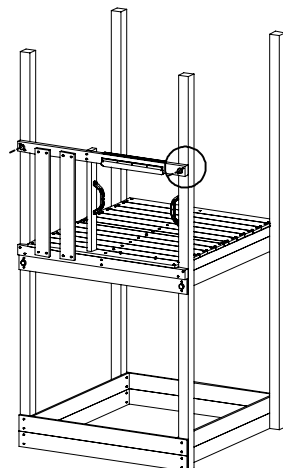
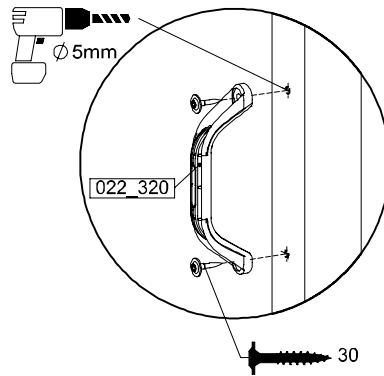
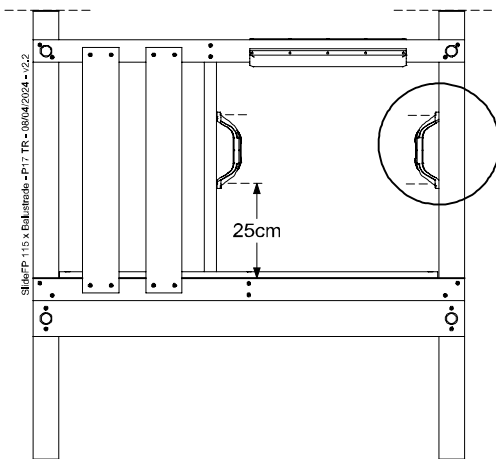
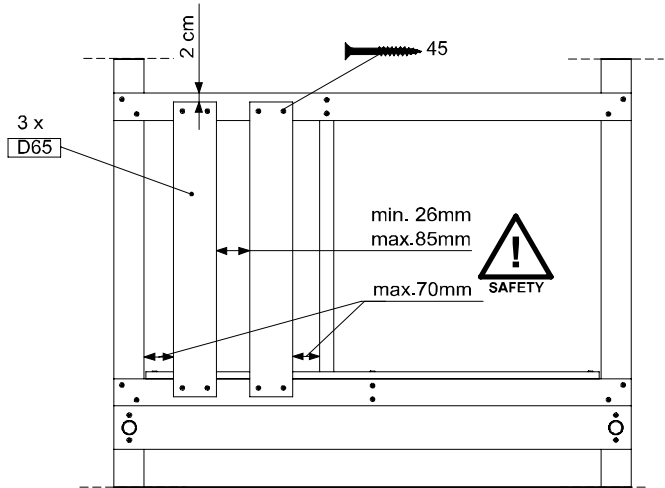
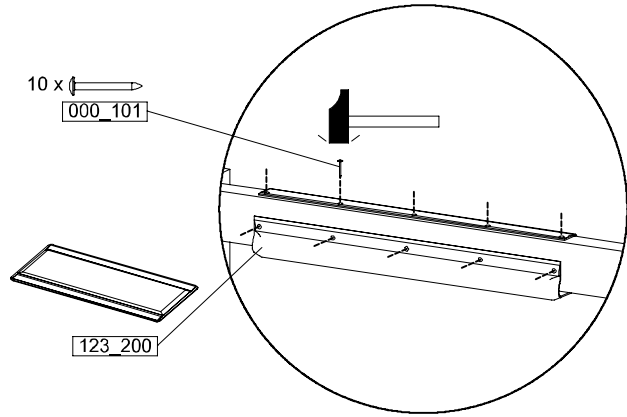
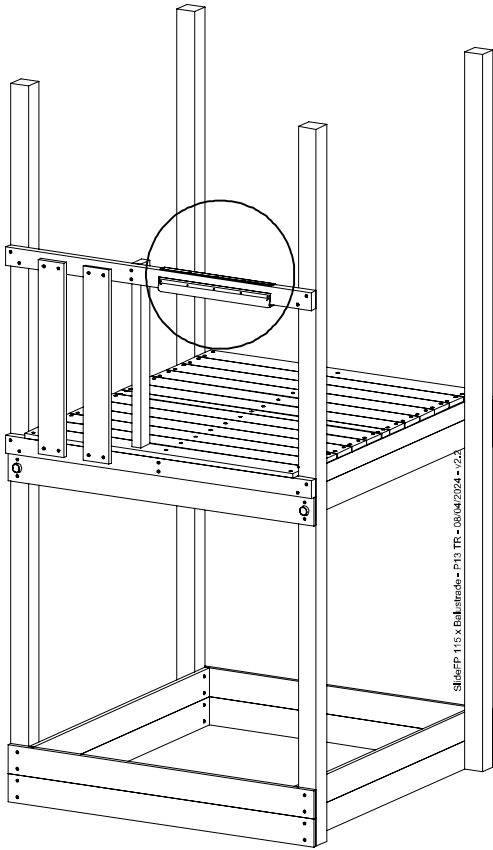
Assembly Packs: 194_107 + 194_101

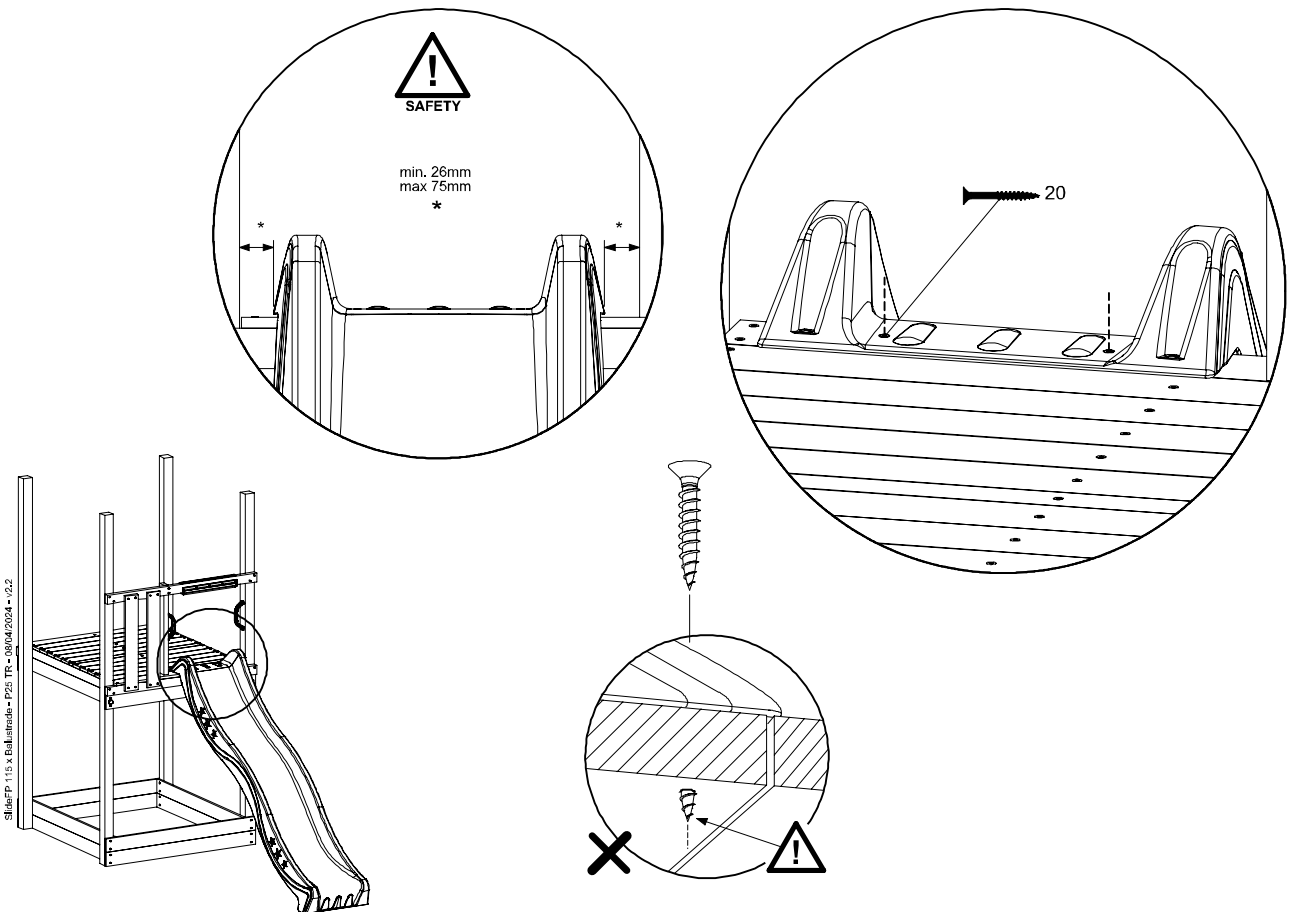
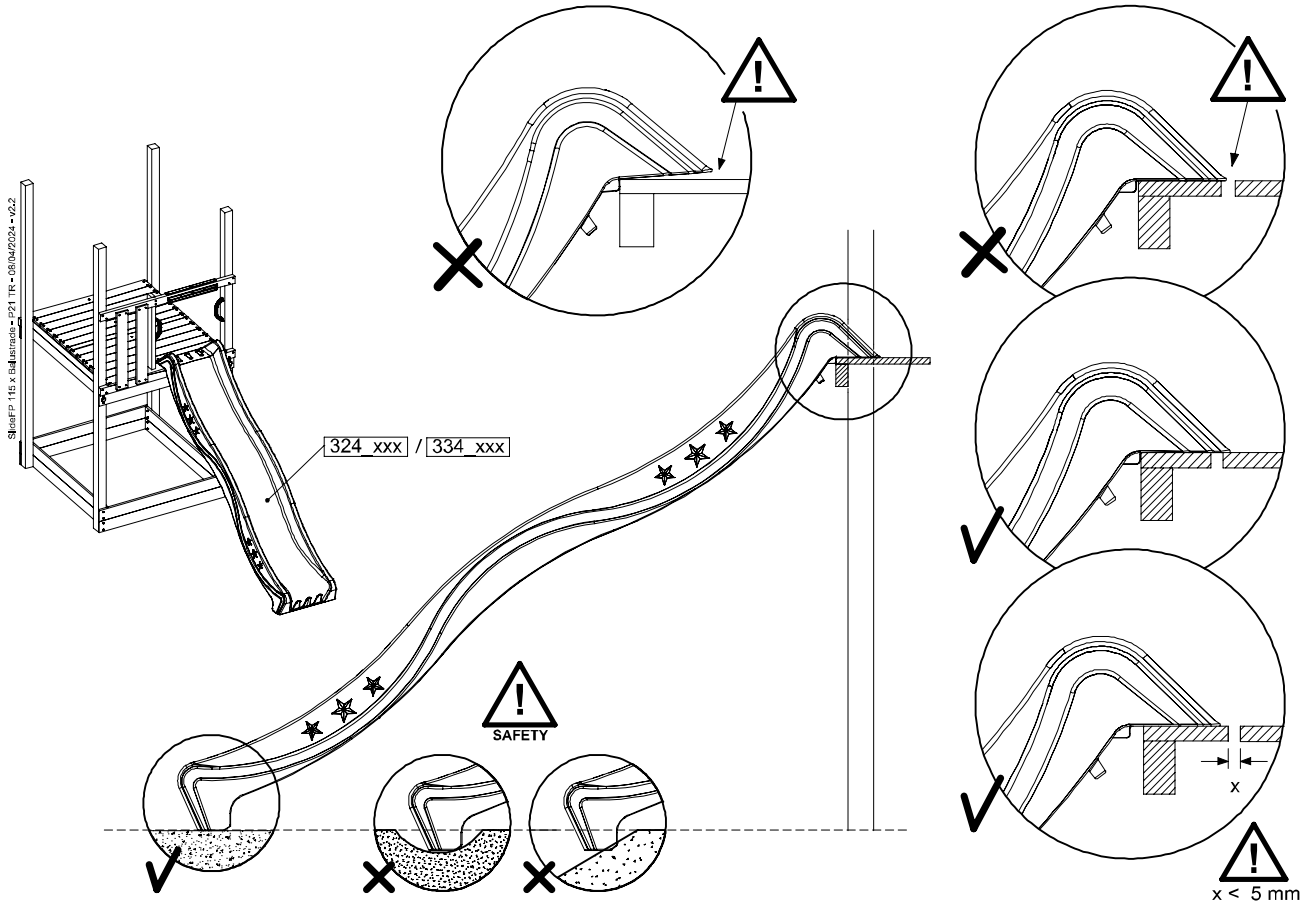
	PartNo	PartName	QTY.
Hardware + Parts	000_101	Nail Pan Head	10
	002_220	Gap Point Screw T25 - 5x45	8
	002_223	Gap Point Screw T25 - 5x80	8
	002_308	Gap Point Screw T25 - 5x20	2
	120_102	Handgrip set (complete 2x)	1
	123_200	Bumperpad	1
	324_xxx 334_xxx	Wavy Star Slide XL 2200 mm / Wavy Star Slide XXL 2650 mm	1
Timber	C114	Beam 1140 mm	1
	C70	Beam 700 mm	1
	D65	Board 650 mm	2

SlidePP 115 x 125 TR - 08/04/2024 - v2.2

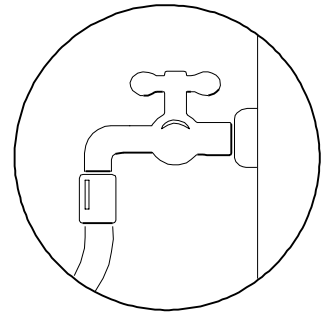
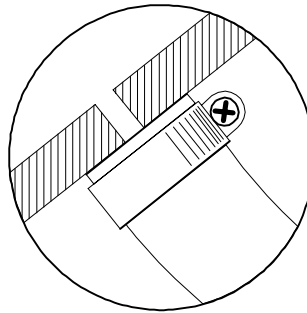
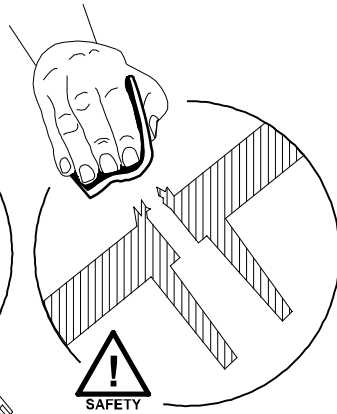
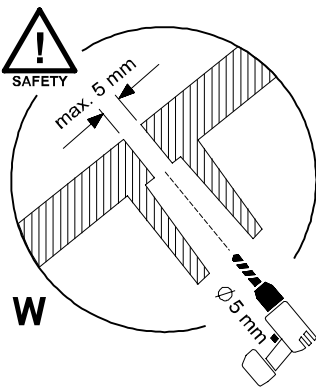
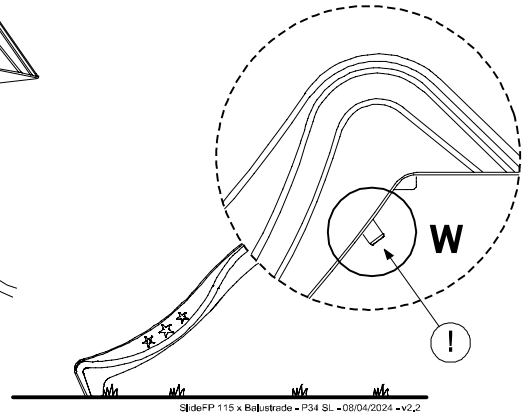
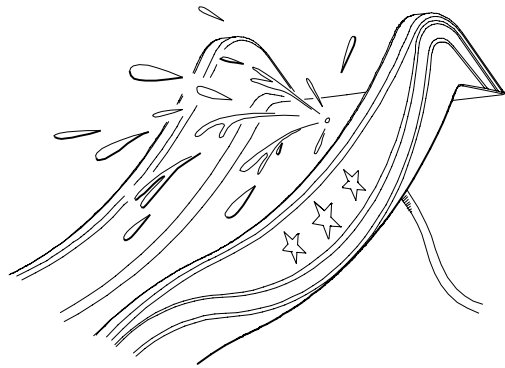
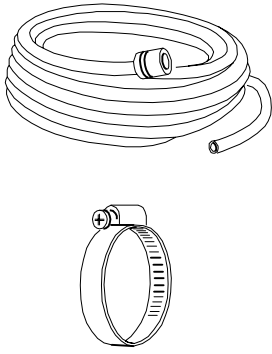


6.1

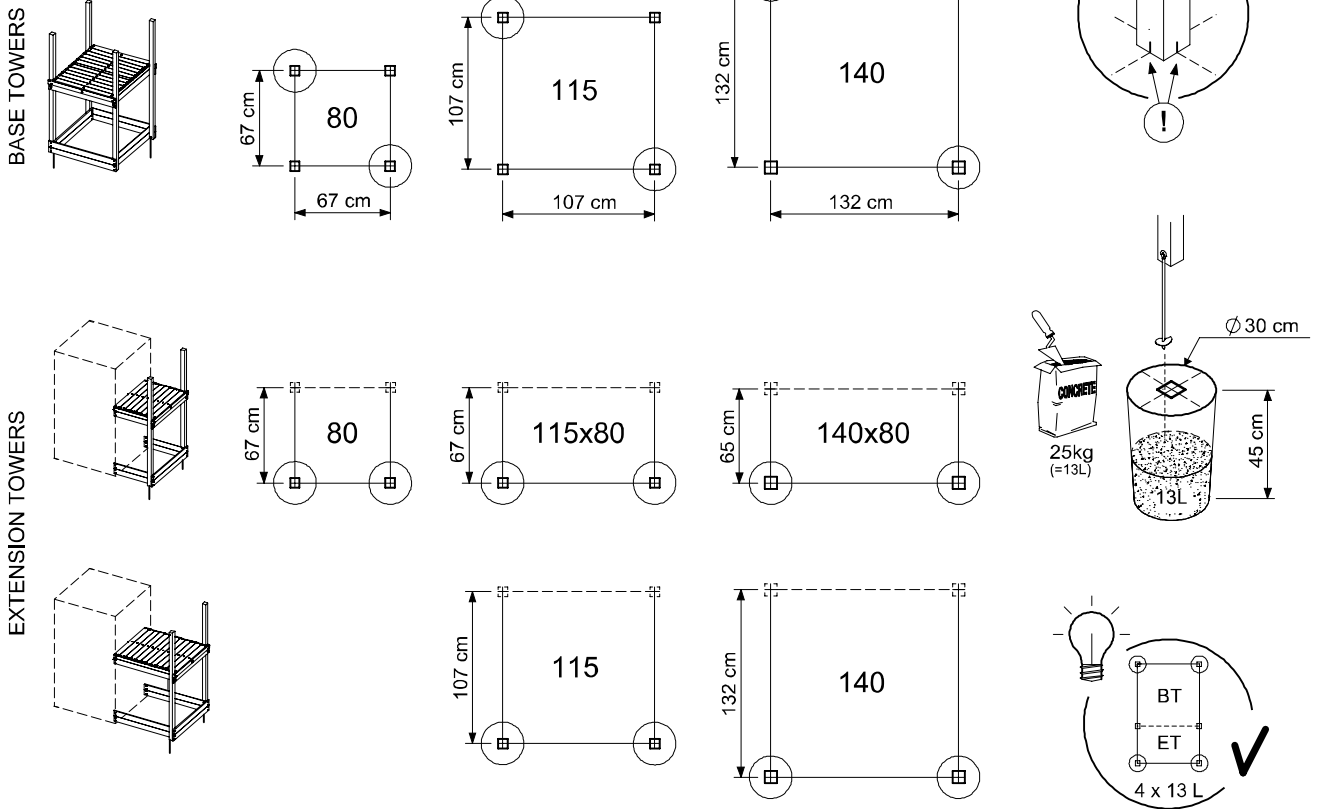




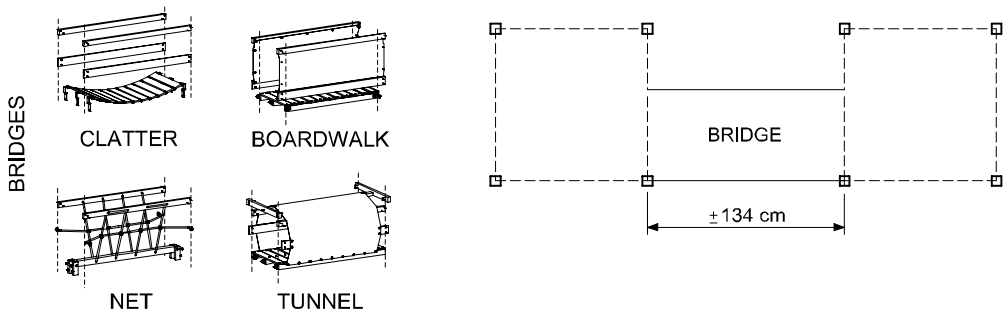
6.3



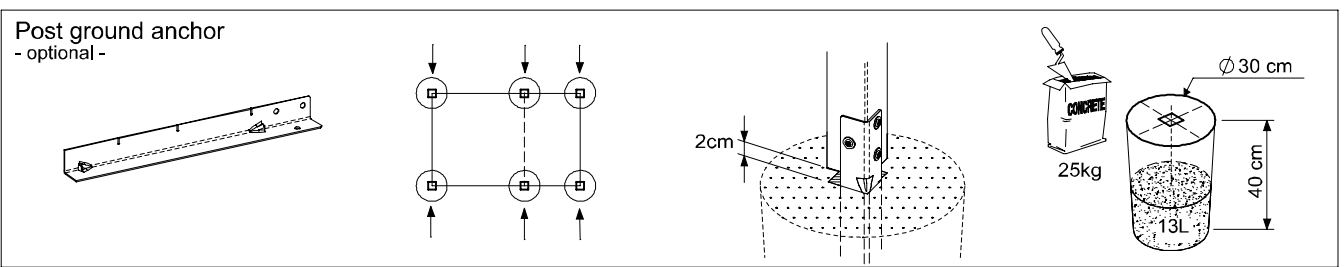
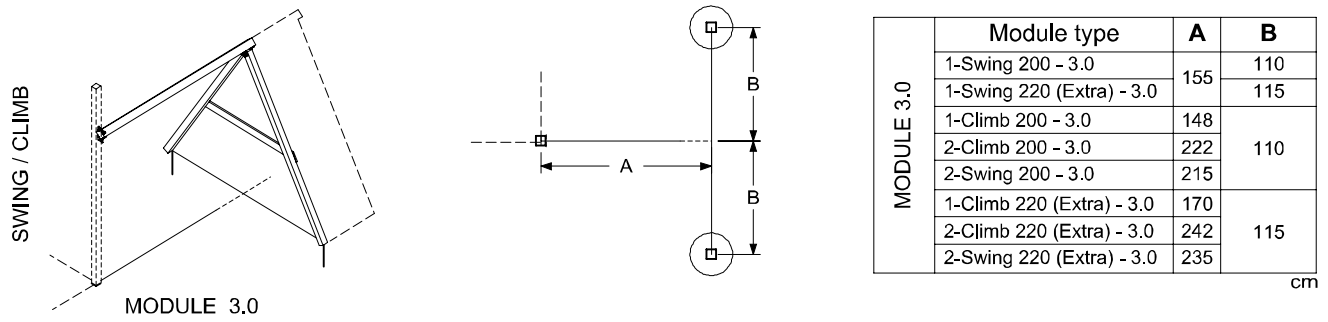
7 GA: Ground Anchors



Ground Anchor Unit - P03 - 22/07/2025 - v2.3

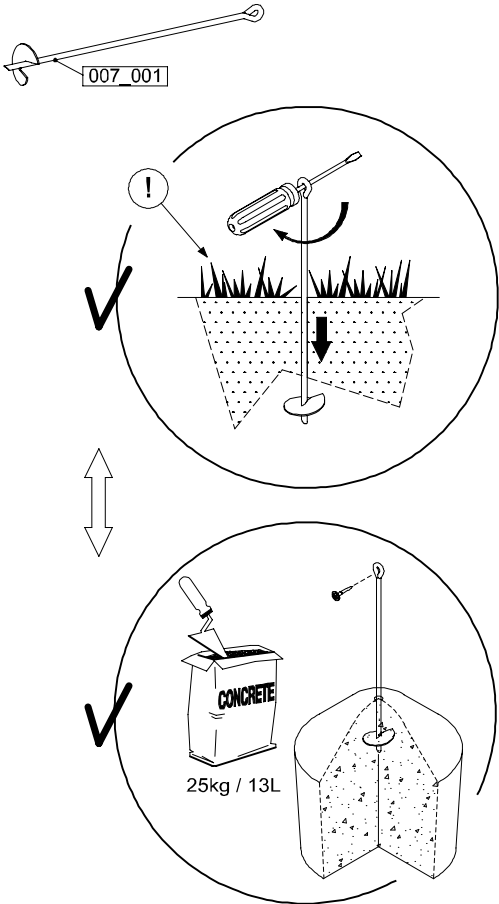


Ground Anchor Unit - P04 - 22/07/2025 - v2.3

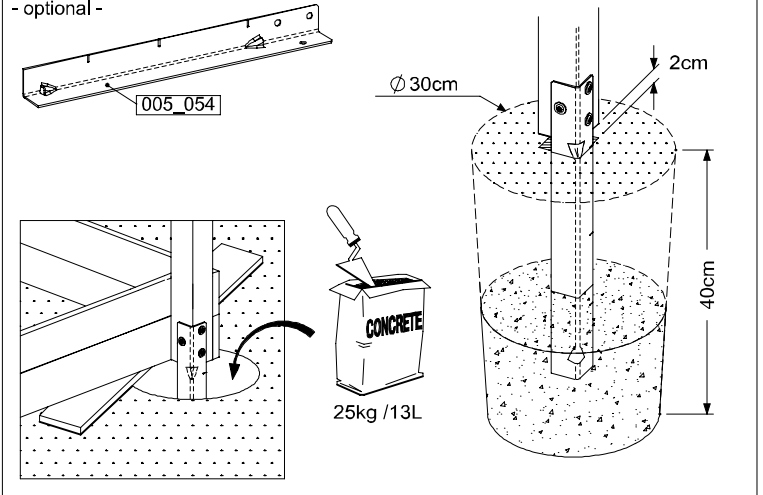


7.1

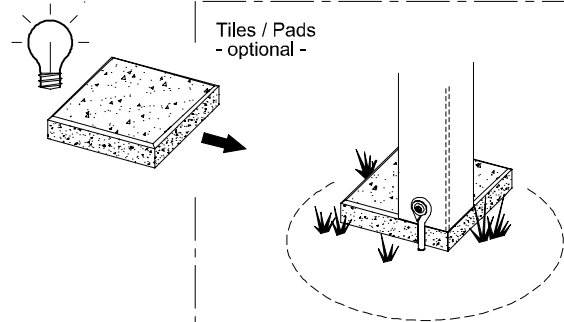
Screw-in ground anchor



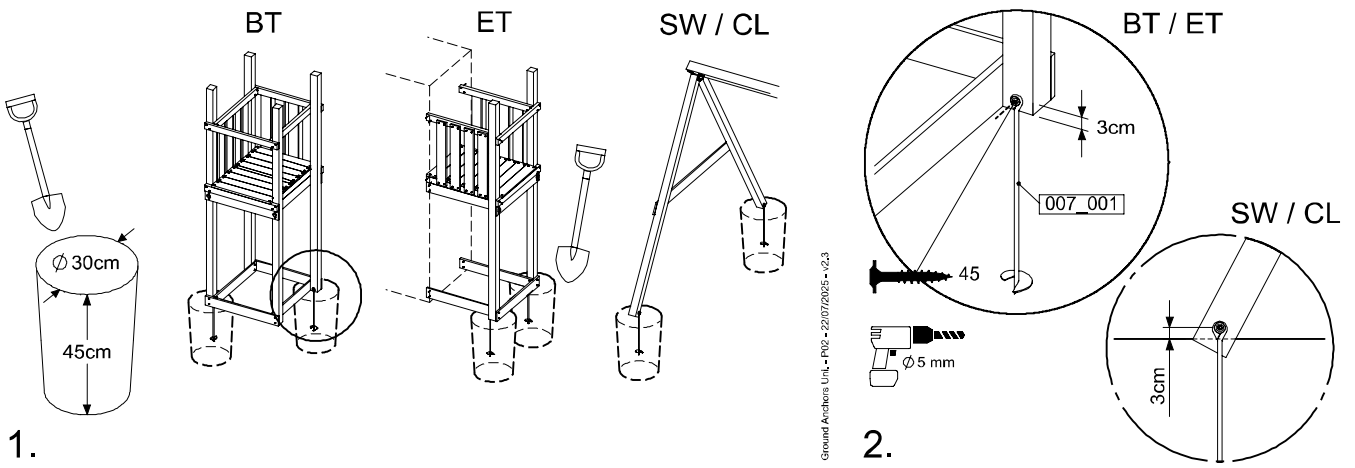
Post ground anchor - optional -



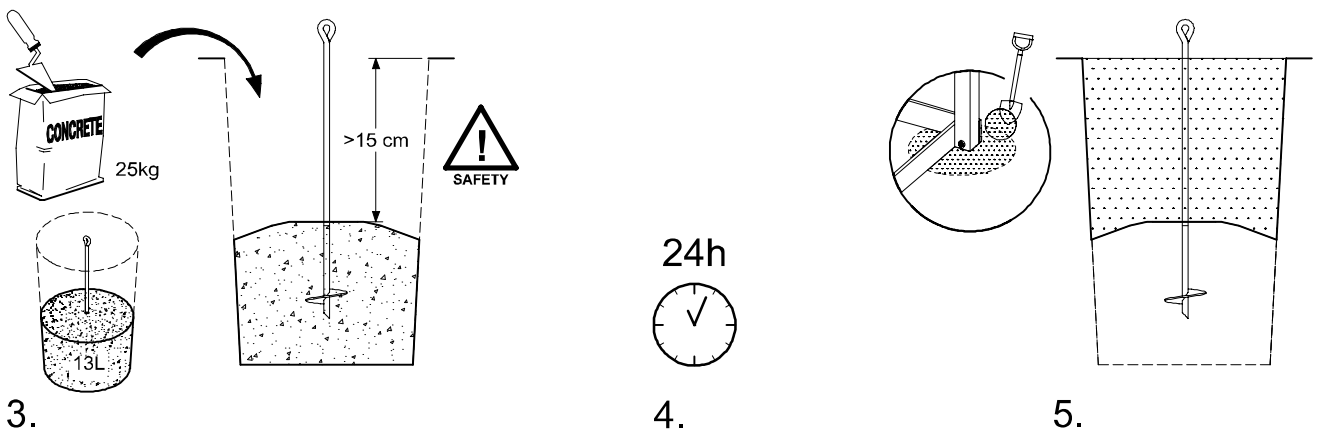
Tiles / Pads - optional -



Ground Anchors Unit - P10 - 22/07/2025 - v2.3



Ground Anchors Unit - P10 - 22/07/2025 - v2.3

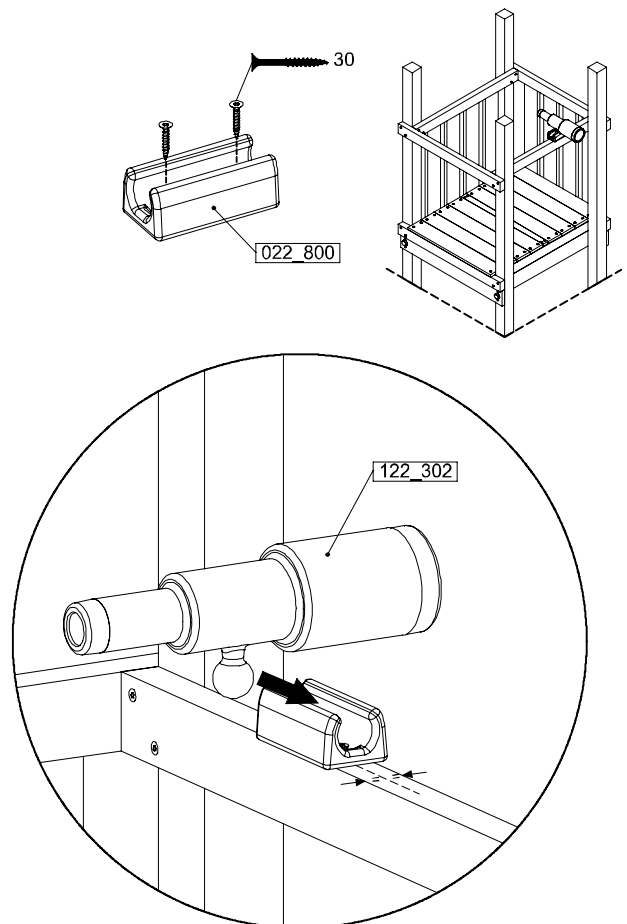
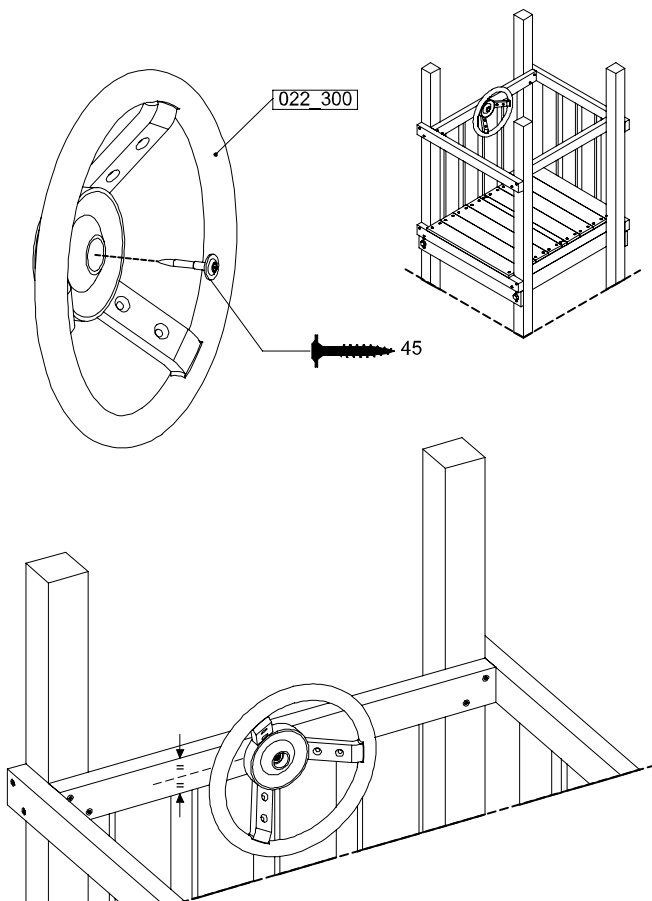
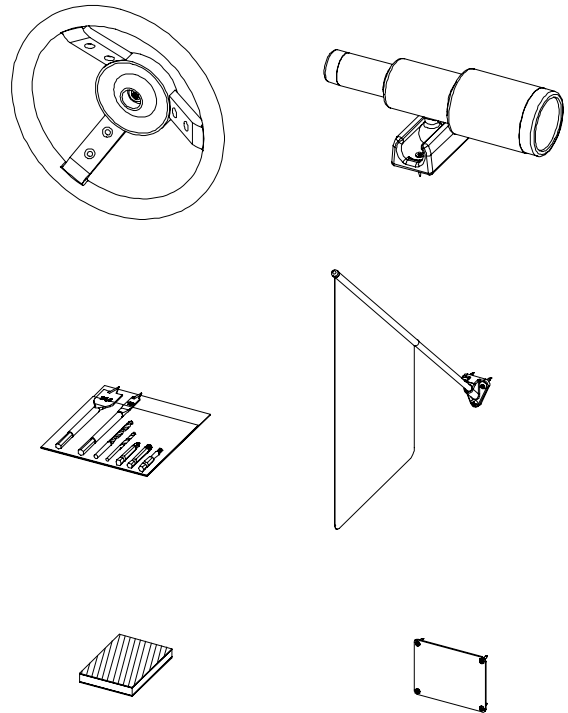


8 AC01a: Accessories

(194_119)

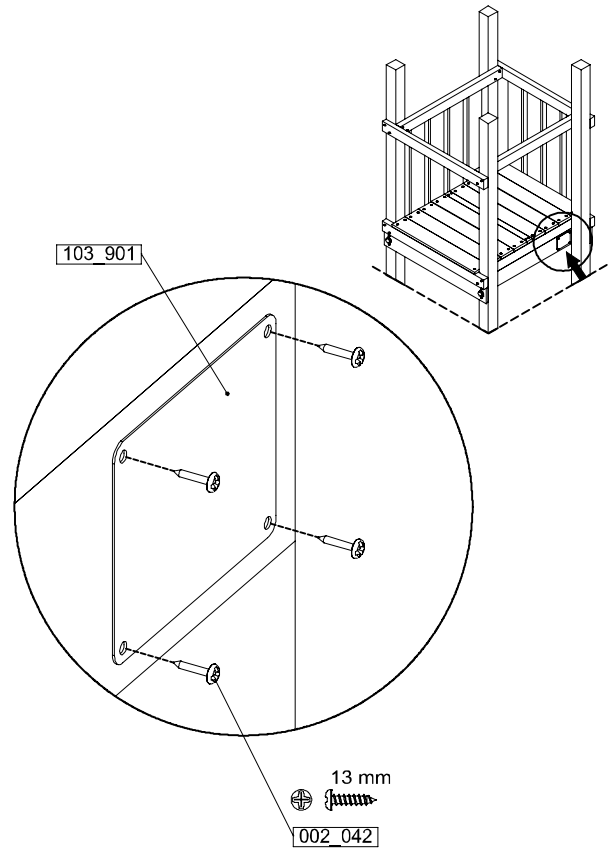
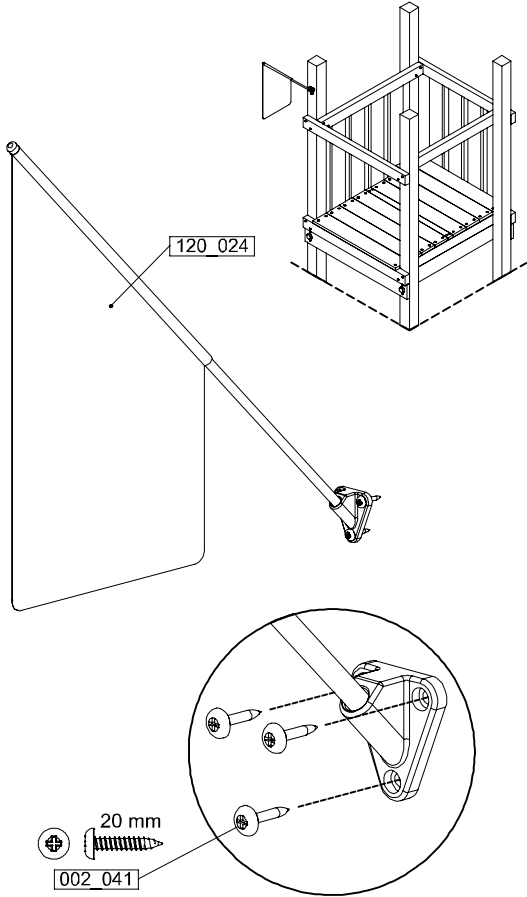
	PartNo	PartName	QTY.
Hardware Pack 100_617	001_406	Stealth Screw 8x45	1
	002_041	Dome head screw 4.5 x 20 mm	3
	002_042	Dome head screw 3.5 x 13mm	4
	002_219	Gap Point Screw T25 - 5x30	2
Other	022_300	Steering Wheel	1
	022_800	Rail P/T 105	1
	022_910	Sandpad	1
	103_901	Logo ID Plate	1
	104_107	Tool Set Climbing Units	1
	120_024	Tower Flag	1
	122_302	Telescope	1

Accessory set - P13 - 24/07/2024 - v5

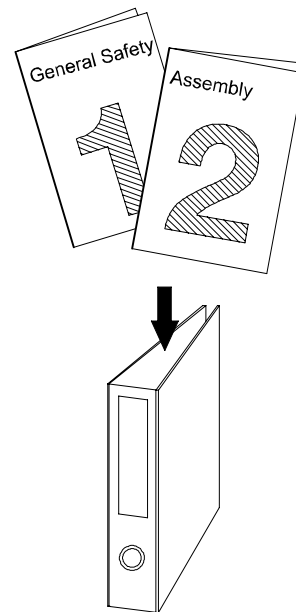
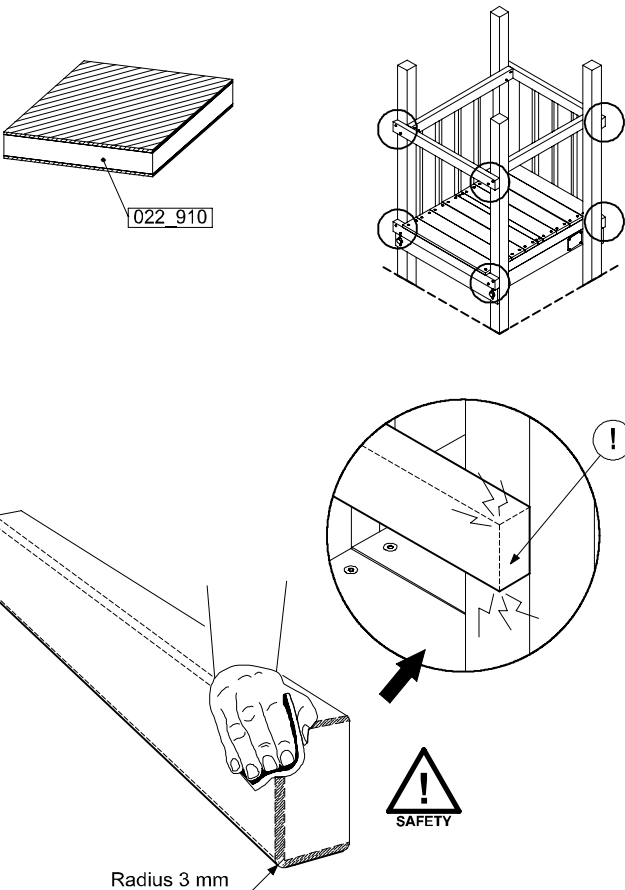


Accessory set - P13 - 24/07/2024 - v5

8.1



Accessories set - P04 - 24/01/2024 - v5



Accessories set - P05 - 24/01/2024 - v5



Safe play instructions and safety notices

Sichere Spielanweisungen und Sicherheitswarnungen

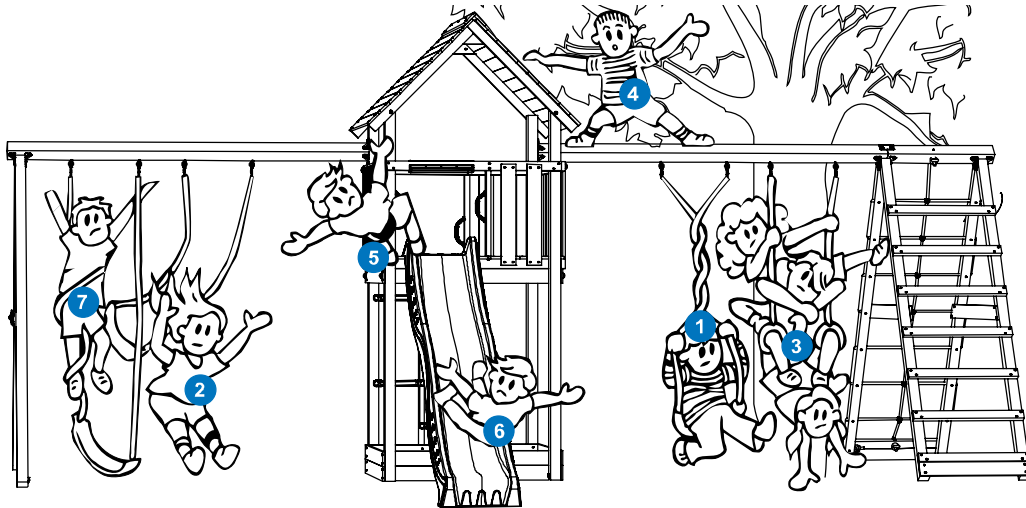
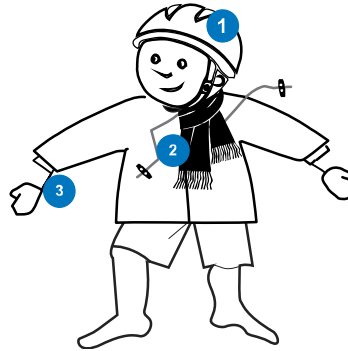
Consignes de jeu sécurisé et avis de sécurité



1,2,3,4

Part 1

Maximum number of users
Maximale Benutzerzahl
Le nombre maximal d'utilisateurs



Satisfied with the result? We'd love your rating.
Zufrieden mit dem Ergebnis? Teilen Sie Ihre Bewertung.
Satisfait du résultat ? Nous serions ravis de recevoir votre avis.

Review us on

★★★★★

Scan | Click

Google account required

Review us on

★★★★★

Scan | Click

Trustpilot account required