



Top Rated Product

  
4.5  
★★★★★

verified by Trustindex 

# Assembly instructions

Activity toys to be assembled by adults for outdoor domestic use.

## Montageanleitung

Aktivitätsspielzeug zum Selbstaufbau für den häuslichen Außenbereich.

## Instructions de montage

Jouet d'activité à assembler pour une utilisation familial en extérieur

# 2 PART

00\_assembly\_instructions

Design Code : VpP3rI  
Article Number : 211070  
Product Name : **Jungle House 2.1**  
Audit ID : 801\_095



Manual ID: 040\_034\_2616


3D | 360°  
View



# Jungle Gym

BACKYARD PLAYGROUNDS

since 1988

Assembly time ca.  
  
4.0  
hours  
by 2 adults

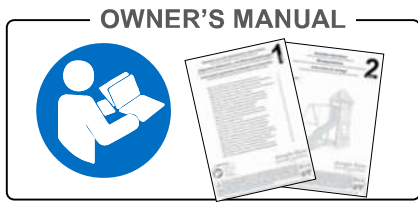


**EN.** Warning! Only for domestic use. Maximum number of users is 5. **DE.** Achtung! Nur für den Hausgebrauch. Maximale Benutzerzahl: 5. **FR.** Attention! Réserve à un usage familial. Le nombre maximal d'utilisateurs est de 5. **BG.** Внимание! За употреба само в домашни условия. Максималният брой потребители е 5. **CS.** Varování! Jen pro domácí použití. Maximální počet uživatelů je 5. **DA.** Advarsler! Kun til privat brug. Maksimum antal brugere er 5. **EL.** Προειδοποίηση! Μόνο για οικιακή χρήση. Μέγιστος αριθμός χρηστών 5. **ES.** Advertencias! Sólo para uso doméstico. Número máximo de usuarios: 5. **ET.** Hoiatused! Ainult koduseks kasutamiseks. Maksimaalne kasutajate arv on 5. **FI.** Varoitukse! Ainoastaan kotikäyttöön. Käyttäjää yhteensä enintään 5. **HR.** Upozorenja! Samo za uporabu u domu. Maksimalan broj korisnika je 5. **HU.** Figyelmeztetések! Csak otthoni használatra! A használok max. száma: 5. **IS.** Varnaðaror! Eingöngu fyrir einkanoðkun í heimahúsum og á einkalóum. Hámarksfjöldi notenda er 5. **IT.** Avvertenze! Solo per uso domestico. Massimo numero di utenti è 5. **LT.** Dėmesio! Tik buitiniam naudojimui. Maksimalus naudotojų skaičius 5. **LV.** Brīdinājumi. Izmantot tikai mājās. Maksimālais lietotāju skaits ir 5. **NL.** Waarschuwing! Uitsluitend voor huishoudelijk gebruik. Het maximale aantal gebruikers is 5. **NO.** Advarsler! Kun for privat bruk. Maksimalt antall brukere er 5. **PL.** Ostrzeżenia! Wyłącznie do użytku domowego. Maksymalna liczba użytkowników to 5. **PT.** Avisos! Apenas para uso doméstico. O número máximo de utilizadores é 5. **RO.** Avertismente! Numai pentru uz domestic. Numărul maxim de utilizatori este 5. **SK.** Upozornenia! Iba na domáce použitie. Maximálne množstvo osôb je 5. **SL.** Opozorila! Samo za domačo uporabo. Maksimalno število uporabnikov je 5. **SV.** Varningar! Endast för hemmabruk. Det maximala antalet användare är 5.





# Safety symbols Sicherheitssymbole Symboles de sécurité



**Important:** Before assembling and using this product, please carefully read the provided Use- and maintenance instructions (Part 1) and assembly instructions (Part 2) thoroughly.

**Wichtig:** Lesen Sie vor der Montage und Benutzung dieses Produkts die beiliegende Gebrauchs- und Wartungsanweisungen (Teil 1) und die Montageanleitung (Teil 2) sorgfältig durch.

**Important:** Avant de monter et d'utiliser ce produit, veuillez lire attentivement. Conseils d'utilisation et d'entretien (Partie 1) et les instructions de montage (Partie 2).



**Mandatory provisions**  
Gebotsbestimmungen  
Dispositions obligatoires



1-5  
**Warnings!**  
Achtung!  
Attention!



1-12  
**Potential hazards**  
Potenzielle Gefahren  
Dangers potentiels



1-7  
**Installation and safety notices**  
Installations- und Sicherheitshinweise  
Instructions d'installation et de sécurité



1-14  
**Assembly and safety notices**  
Montage- und Sicherheitshinweise  
Instructions de montage et de sécurité



1-7  
**Safe play instructions and safety notices**  
Sichere Spielanweisungen und Sicherheitswarnungen  
Consignes de jeu sécurisé et avis de sécurité



## Customer service Kundendienst Service client



 [Frequently Asked Questions](#)

 [Häufig gestellte Fragen](#)

 [Foire aux questions](#)

 [Veelgestelde Vragen](#)



 EU +31 85 44 44 102 \*

[info@junglegym.com](mailto:info@junglegym.com)

[www.junglegym.com](http://www.junglegym.com)

[instagram.com/junglegymofficial](https://www.instagram.com/junglegymofficial)

\* International phone charges may apply.

**Availability:**

**Monday – Thursday:**

CET 09:00 AM – 04:00 PM

**Friday:**

CET 09:00 AM – 01:00 PM



# Preparation Vorbereitung Préparation



**Complete composition and delivery overview**  
**Vollständige Zusammensetzung und Lieferübersicht**  
**Aperçu complet de la composition et de la livraison**



OR



To avoid danger of suffocation, please keep the bag away from children.  
 Um Erstickungsgefahr zu vermeiden, halten Sie die Tüte bitte von Kindern fern.  
 Pour éviter tout risque d'étouffement, gardez le sac hors de portée des enfants.

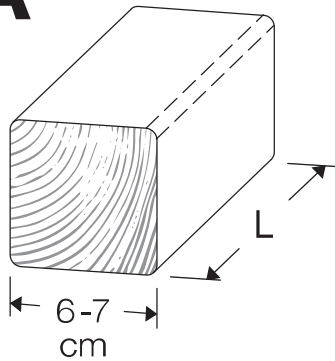
Choking hazard – may not be suitable for children under 3 years.  
 Erstickungsgefahr – möglicherweise nicht geeignet für Kinder unter 3 Jahren.  
 Risque d'étouffement – peut ne pas convenir aux enfants de moins de 3 ans.



#	Print ID	Description	FFC ID
1	BT11a	Base Tower 115_240240_125	701_095
1	RF11b	Roof Timber Ridge 115	
2	BL04a	Balustrade 115_T	
1	LA11a	Ladder 115_125 U L x Balustrade	
1	SL06a	Slide Frame 115_125 U L x Balustrade	
1	AC01a	Accessories Set	
1	324_x00	Wavy Star Slide XL	324_x00

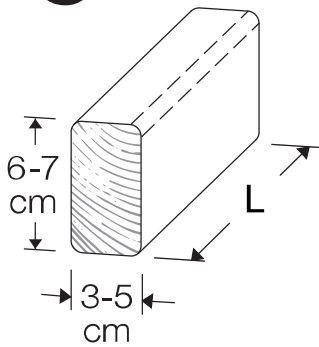
Timber parts list  
 Stückliste Holzteile  
 Liste des pièces en bois

**A**



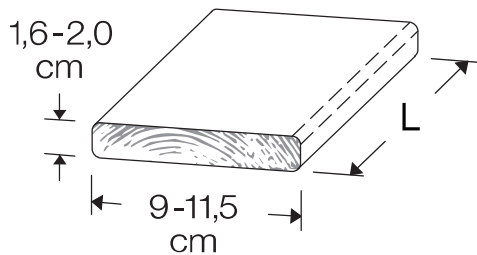
ID	L	#
A240	239 cm - 240 cm	4

**C**



C70	69 cm - 70 cm	2
C74	73 cm - 74 cm	4
C114	113 cm - 114 cm	9
C130	129 cm - 130 cm	2
C154	153 cm - 154 cm	2






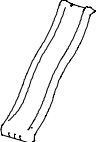


**D**



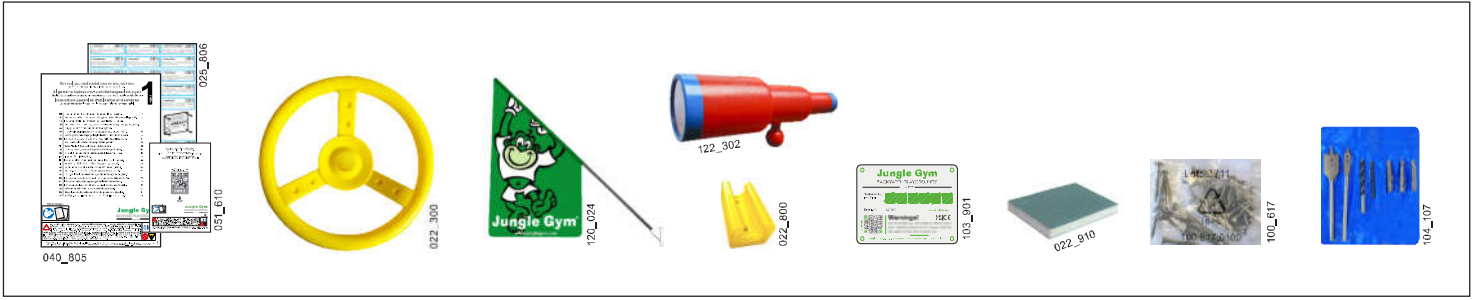
D65	64 cm - 65 cm	16
D100	99 cm - 100 cm	14
D114	113 cm - 114 cm	12
D127	126 cm - 127 cm	25



Hardware package and accessory registration  
 Hardwarebeutel- und Zubehörregistrierung  
 Enregistrement du sachet de quincaillerie et des accessoires

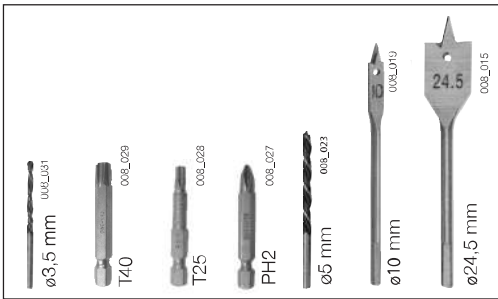
<p>Tower 115</p>  <p><b>BT ET</b></p> <p>Nº 194_300 <b>1x</b></p> <p>LOT: <input type="checkbox"/> <input type="checkbox"/> <input type="checkbox"/> <input type="checkbox"/> <input type="checkbox"/> <input type="checkbox"/> <input type="checkbox"/> <input type="checkbox"/> <input type="checkbox"/> <input type="checkbox"/></p>	<p>Hardware 03</p>  <p><b>H03</b></p> <p>Nº 194_501 <b>2x</b></p> <p>LOT: <input type="checkbox"/> <input type="checkbox"/> <input type="checkbox"/> <input type="checkbox"/> <input type="checkbox"/> <input type="checkbox"/> <input type="checkbox"/> <input type="checkbox"/> <input type="checkbox"/> <input type="checkbox"/></p>	<p>AP Manual &amp; Accessory set</p>  <p><b>AC</b></p> <p>Nº 194_119 <b>1x</b></p> <p>LOT: <input type="checkbox"/> <input type="checkbox"/> <input type="checkbox"/> <input type="checkbox"/> <input type="checkbox"/> <input type="checkbox"/> <input type="checkbox"/> <input type="checkbox"/> <input type="checkbox"/> <input type="checkbox"/></p>	<p>Ladder 125</p>  <p><b>LA</b></p> <p>Nº 194_003 <b>1x</b></p> <p>LOT: <input type="checkbox"/> <input type="checkbox"/> <input type="checkbox"/> <input type="checkbox"/> <input type="checkbox"/> <input type="checkbox"/> <input type="checkbox"/> <input type="checkbox"/> <input type="checkbox"/> <input type="checkbox"/></p>	<p>Hardware 01</p>  <p><b>H01</b></p> <p>Nº 194_101 <b>2x</b></p> <p>LOT: <input type="checkbox"/> <input type="checkbox"/> <input type="checkbox"/> <input type="checkbox"/> <input type="checkbox"/> <input type="checkbox"/> <input type="checkbox"/> <input type="checkbox"/> <input type="checkbox"/> <input type="checkbox"/></p>
<p>Slide XL 2.2m</p>  <p>Nº 324_x00 <b>1x</b></p> <p>LOT: <input type="checkbox"/> <input type="checkbox"/> <input type="checkbox"/> <input type="checkbox"/> <input type="checkbox"/> <input type="checkbox"/> <input type="checkbox"/> <input type="checkbox"/> <input type="checkbox"/> <input type="checkbox"/></p>	<p>Hardware 04</p>  <p><b>H04</b></p> <p>Nº 194_804 <b>1x</b></p> <p>LOT: <input type="checkbox"/> <input type="checkbox"/> <input type="checkbox"/> <input type="checkbox"/> <input type="checkbox"/> <input type="checkbox"/> <input type="checkbox"/> <input type="checkbox"/> <input type="checkbox"/> <input type="checkbox"/></p>	<p>Slide Frame</p>  <p><b>SL</b></p> <p>Nº 194_107 <b>1x</b></p> <p>LOT: <input type="checkbox"/> <input type="checkbox"/> <input type="checkbox"/> <input type="checkbox"/> <input type="checkbox"/> <input type="checkbox"/> <input type="checkbox"/> <input type="checkbox"/> <input type="checkbox"/> <input type="checkbox"/></p>		

**Standard Scope of Delivery**  
**Standard-Lieferumfang**  
**Contenu Standard de la Livraison**



194\_119

**Overview bit and drill bit references**  
**Bit-Übersicht und Bohrer-Referenzen**  
**Aperçu des embouts et références de forets**



**Fastening hardware & component references**  
**Befestigungsmaterial und Komponentenreferenzen**  
**Références de fixation et de composants**

		#	L
 ø 5 T-40	 ø 8.0 mm	001_404	30 mm
		001_406	45 mm
		001_411	60 mm
		001_417	80 mm
		001_422	137 mm
 ø 10 T-40	 M8	001_102	30 mm
		000_101	20 mm
 ø 3.5 T-25	 ø 6.3 mm	002_036	16 mm
		002_041	20 mm
 ø 3.5 PH-2	 ø 4.5 mm	002_042	13 mm
		002_301	40 mm

		#	L
 ø 3.5 T-25	 ø 5.0 mm	002_308	20 mm
		002_219	30 mm
		002_220	45 mm
		002_223	80 mm
 ø 10	 M8	004_050	22mm
		003_010	
	 M6	003_034	
		022_845	Yellow
		022_846	Blue
		022_847	Green
		022_848	Red
		023_031	White
	 022_844      022_314	120_005	White



# Registration & warnings

## Registrierung & Warnhinweise

### Enregistrement & avertissements

Climbing frame identification  
Klettergerüst-Identifizierung  
Identification de l'aire de jeux



Use warnings  
Gebrauchswarnungen  
Avertissements d'usage



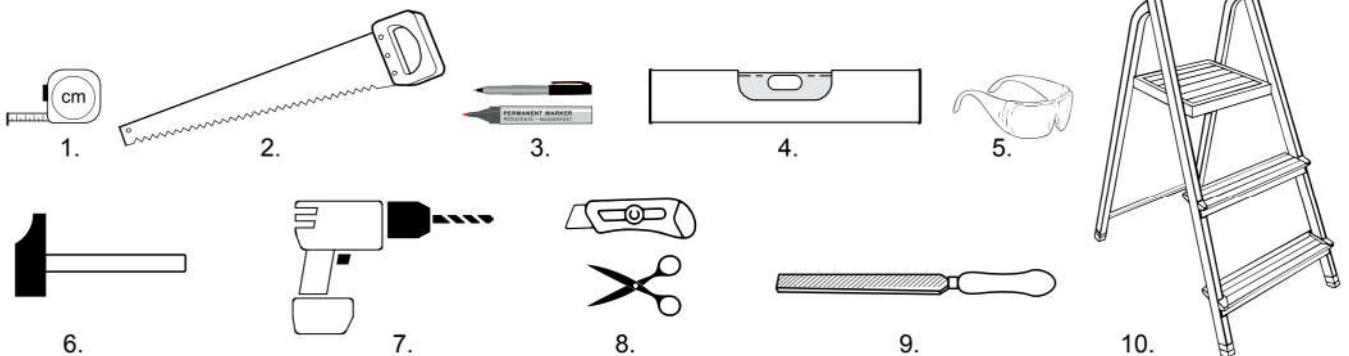
Manual ID: 040\_034\_2616



# Required tools

## Benötigtes Werkzeug

### Outils nécessaires





# Installation and safety notices

## Installations- und Sicherheitshinweise

## Instructions d'installation et de sécurité

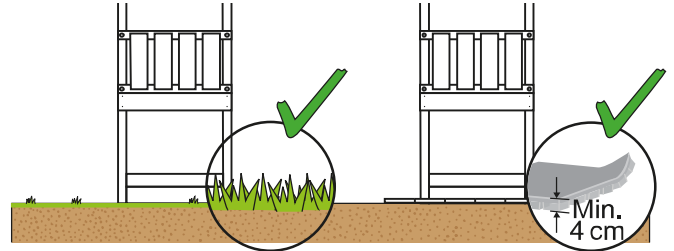
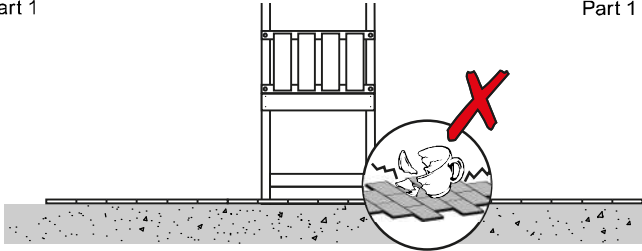


Part 1

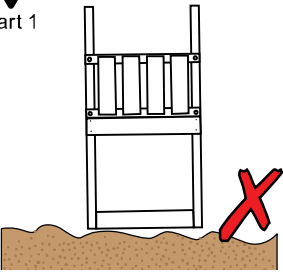


6

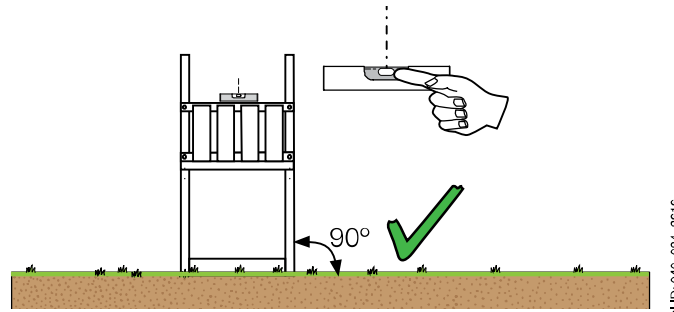
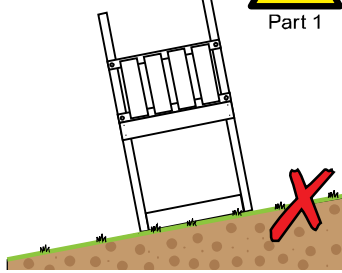
Part 1



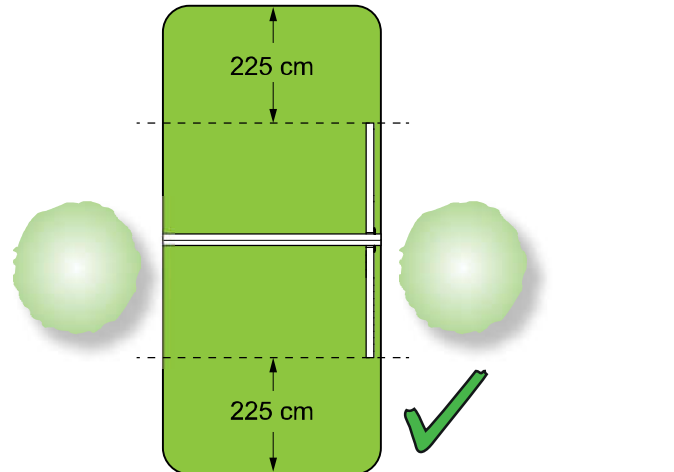
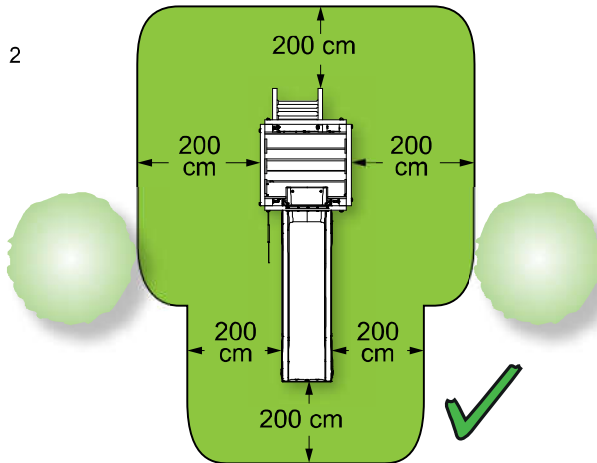
Part 1



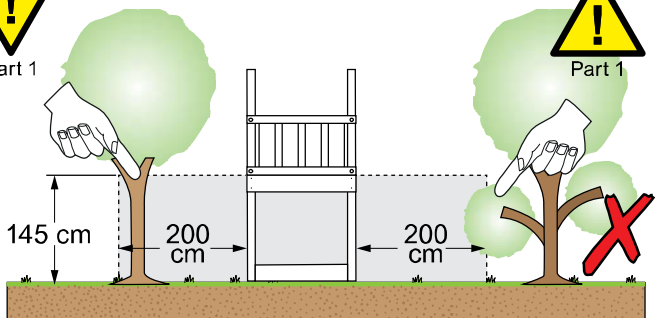
Part 1



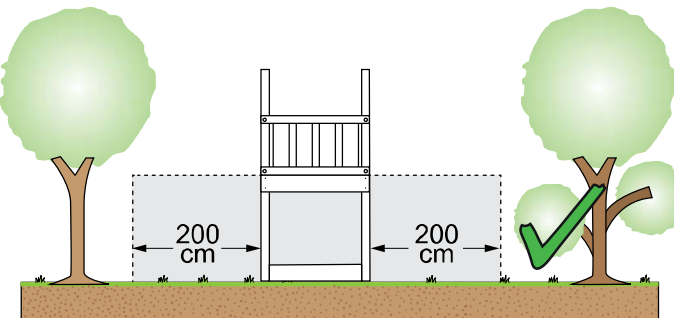
Part 1

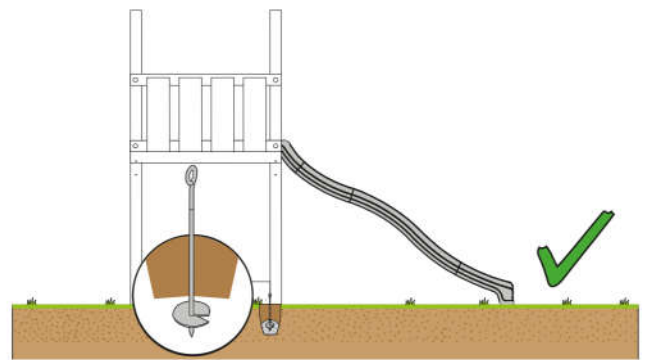
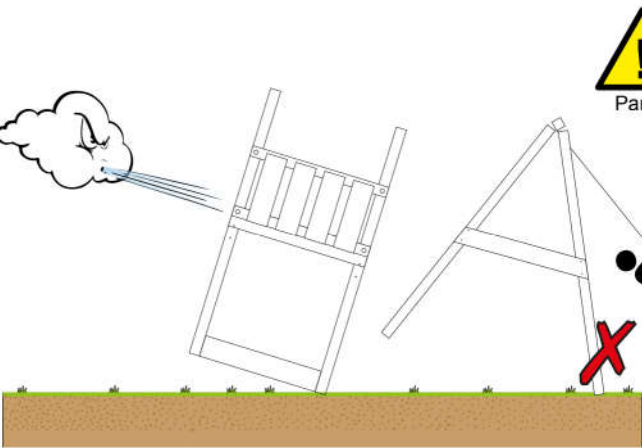
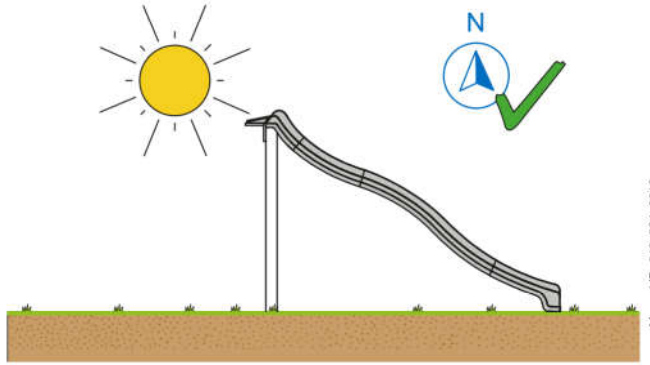
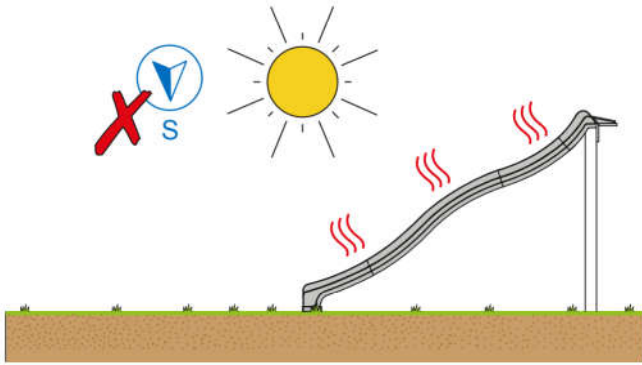
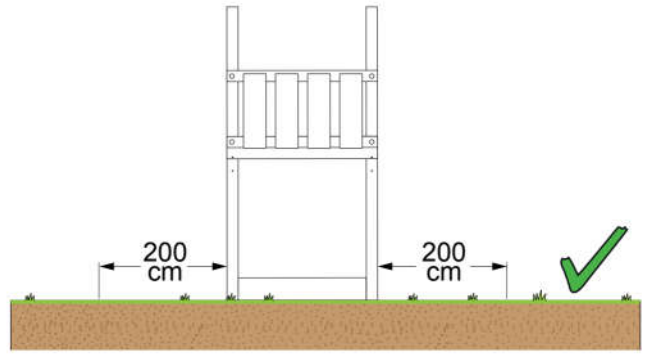
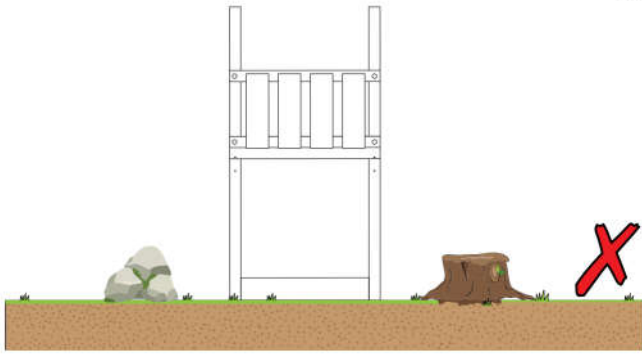


Part 1



Part 1





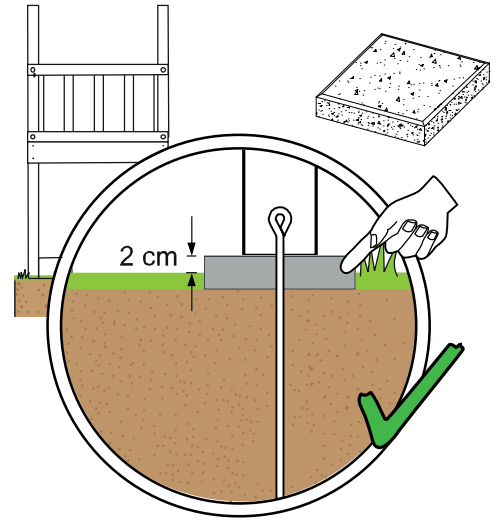
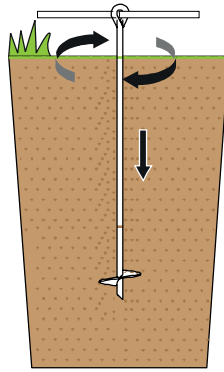
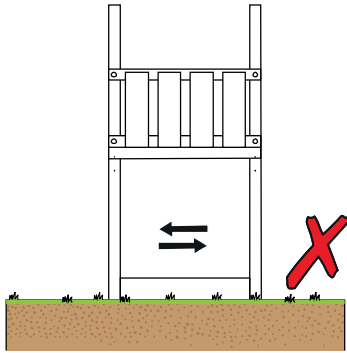
Manual ID: 040\_034\_2616



Part 1



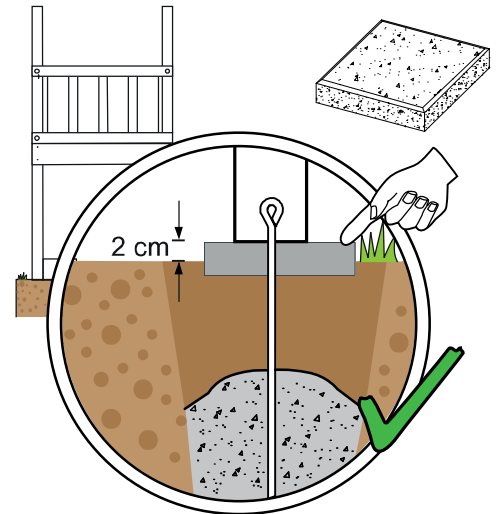
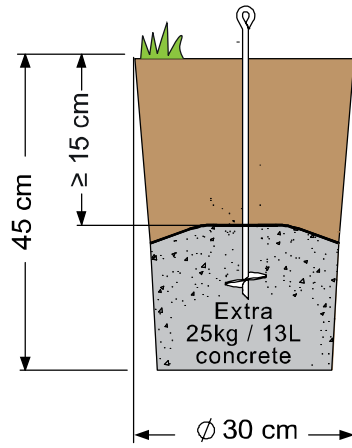
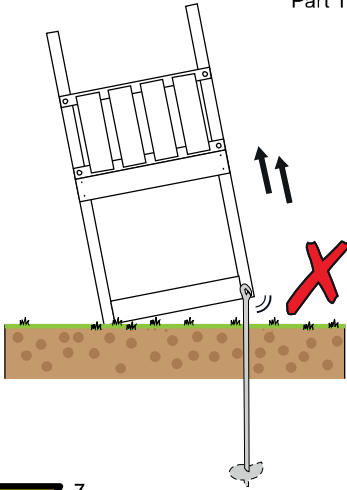
Part 1



Part 1



Part 1

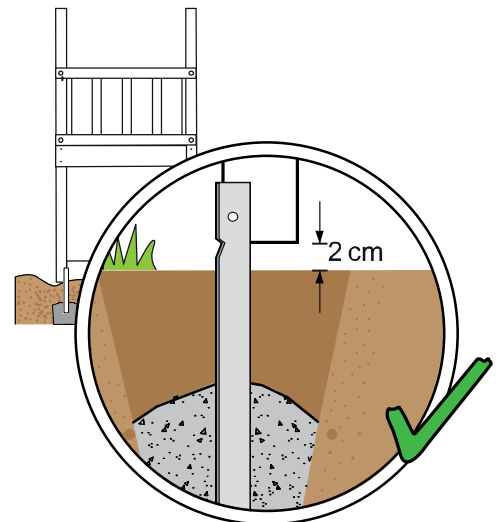
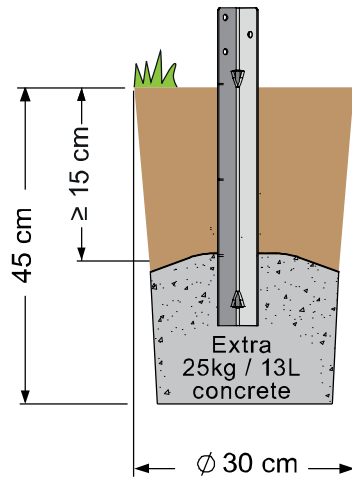
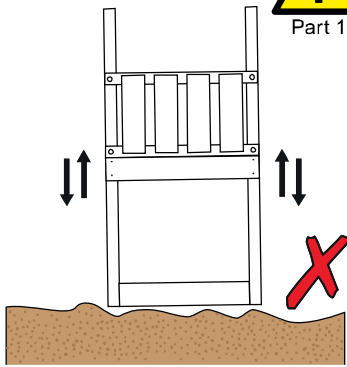


Part 1

### Optional: Post anchors



Part 1

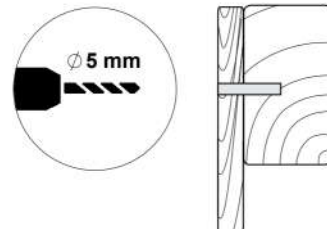
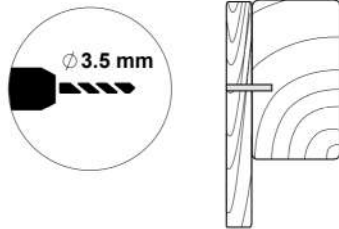
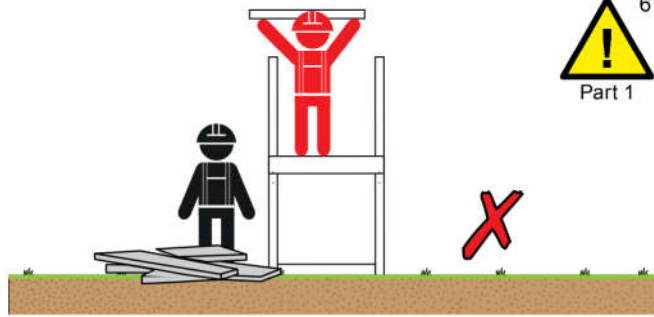
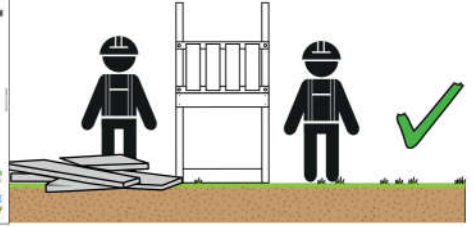
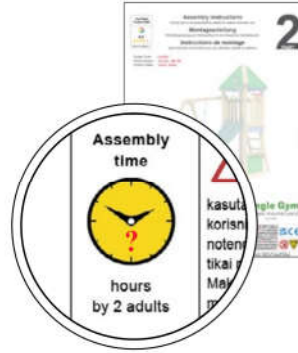




# Assembly and safety notices

## Montage- und Sicherheitshinweise

### Instructions de montage et de sécurité

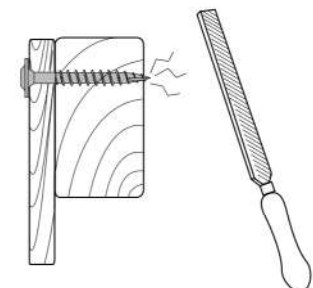
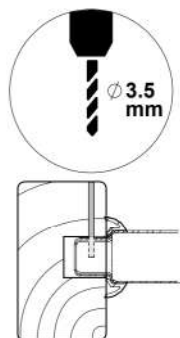


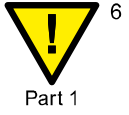
80mm 

80mm 

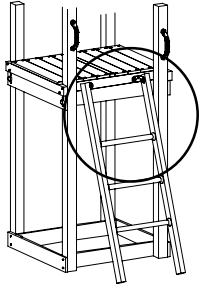
45mm 

45mm 

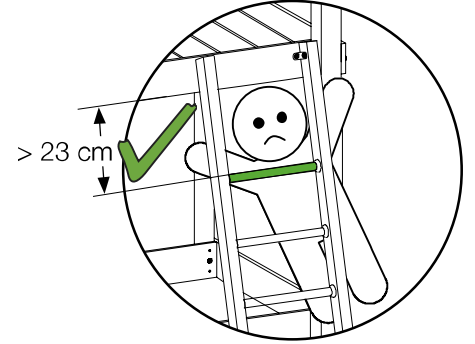
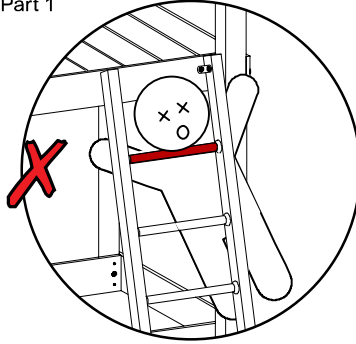




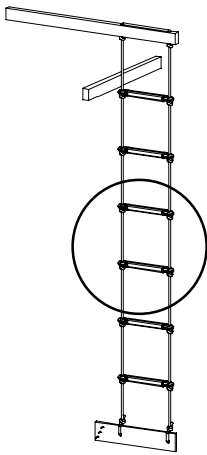
Part 1



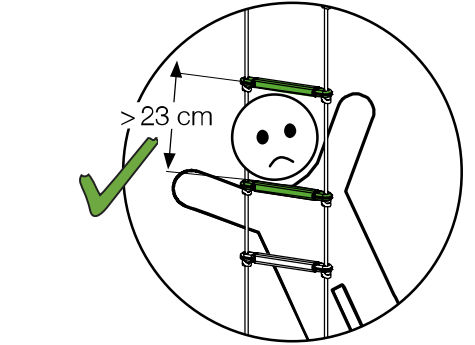
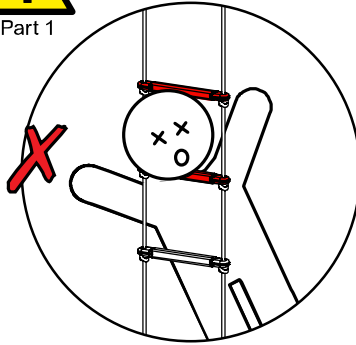
Part 1



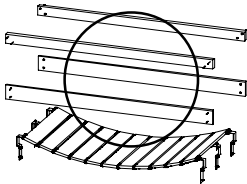
Part 1



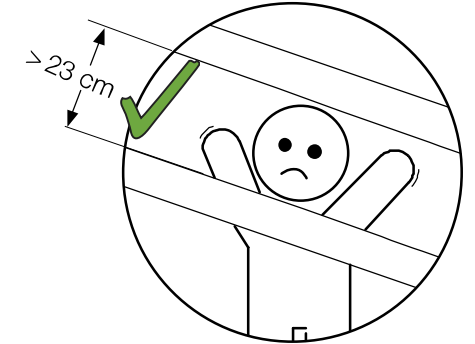
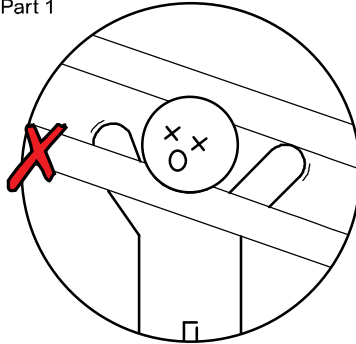
Part 1



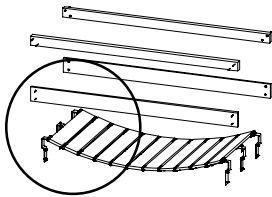
Part 1



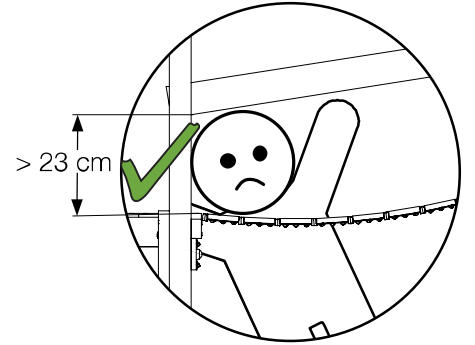
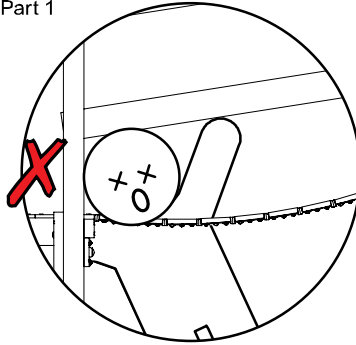
Part 1

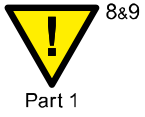


Part 1



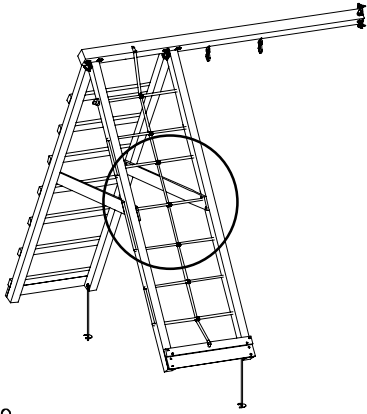
Part 1





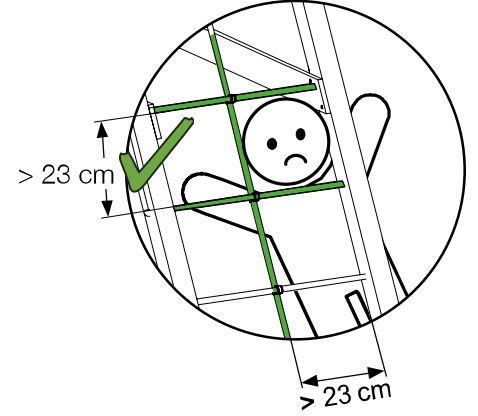
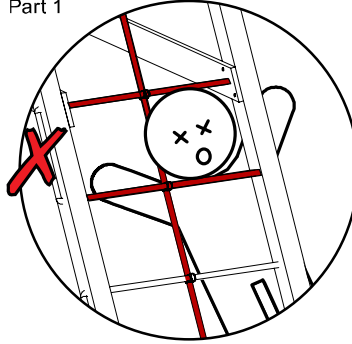
8&9

Part 1



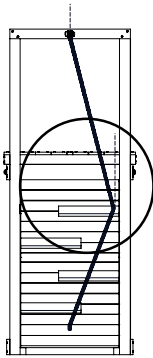
9

Part 1



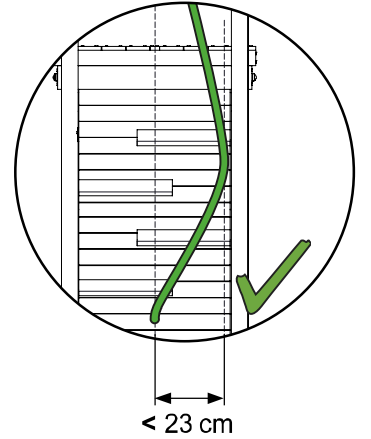
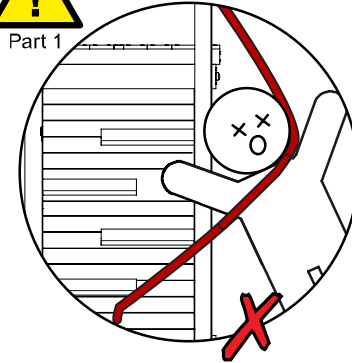
8&9

Part 1



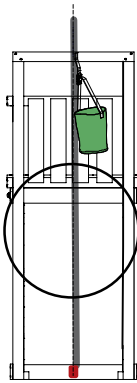
9

Part 1



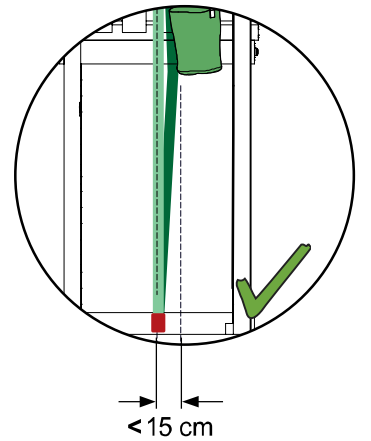
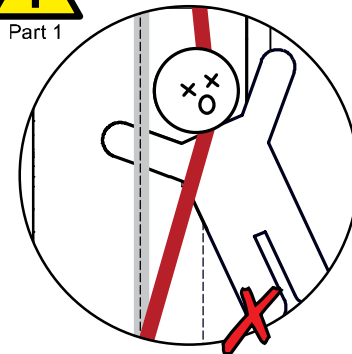
8&9

Part 1



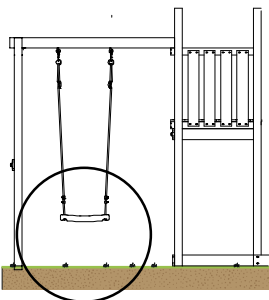
9

Part 1



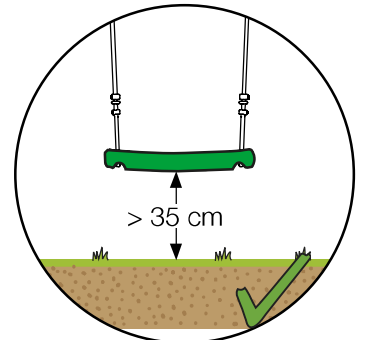
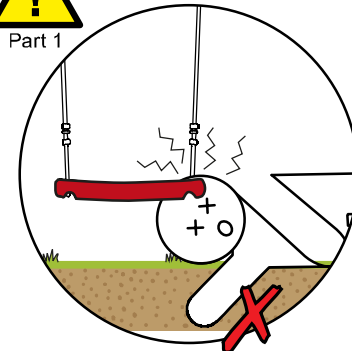
8&9

Part 1



3

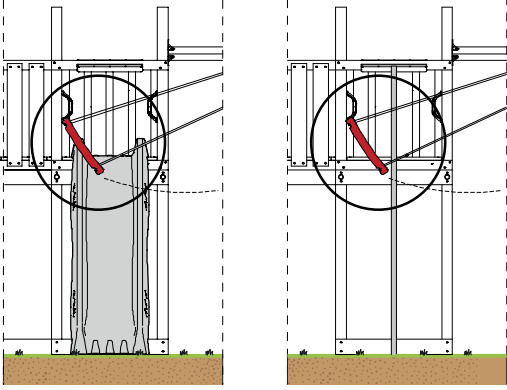
Part 1





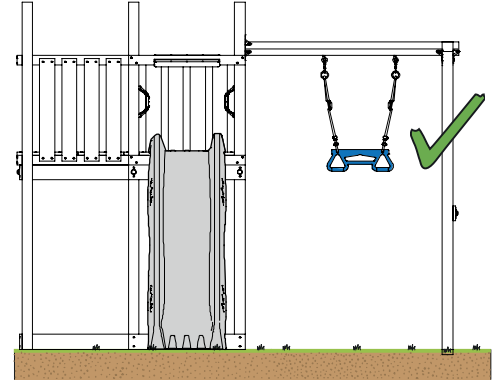
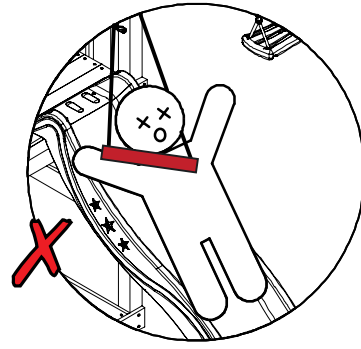
10

Part 1



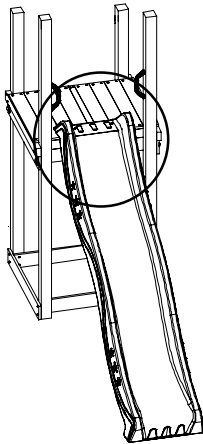
4&9

Part 1



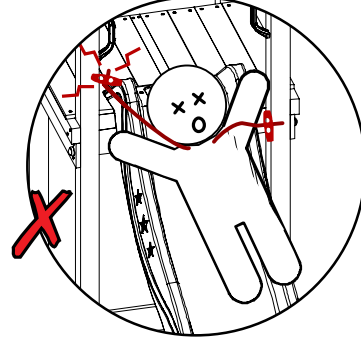
10

Part 1

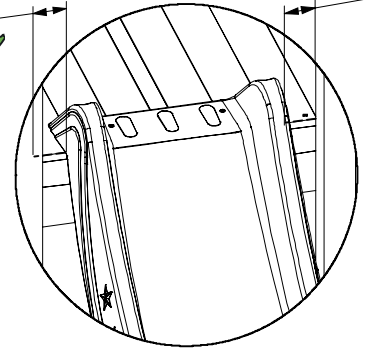


4&9

Part 1



min. 26 mm  
max. 75 mm

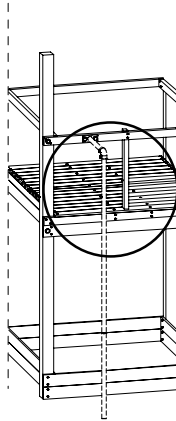


min. 26 mm  
max. 75 mm



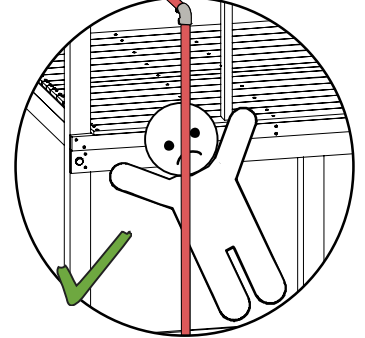
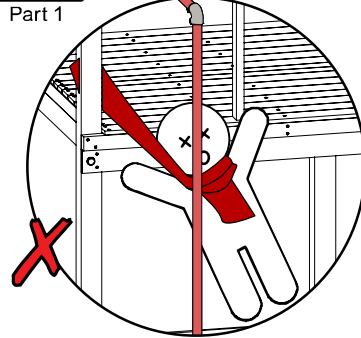
10

Part 1



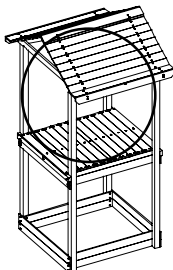
4&9

Part 1



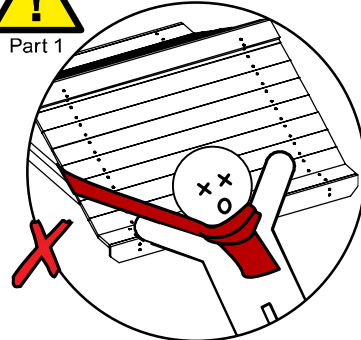
13

Part 1



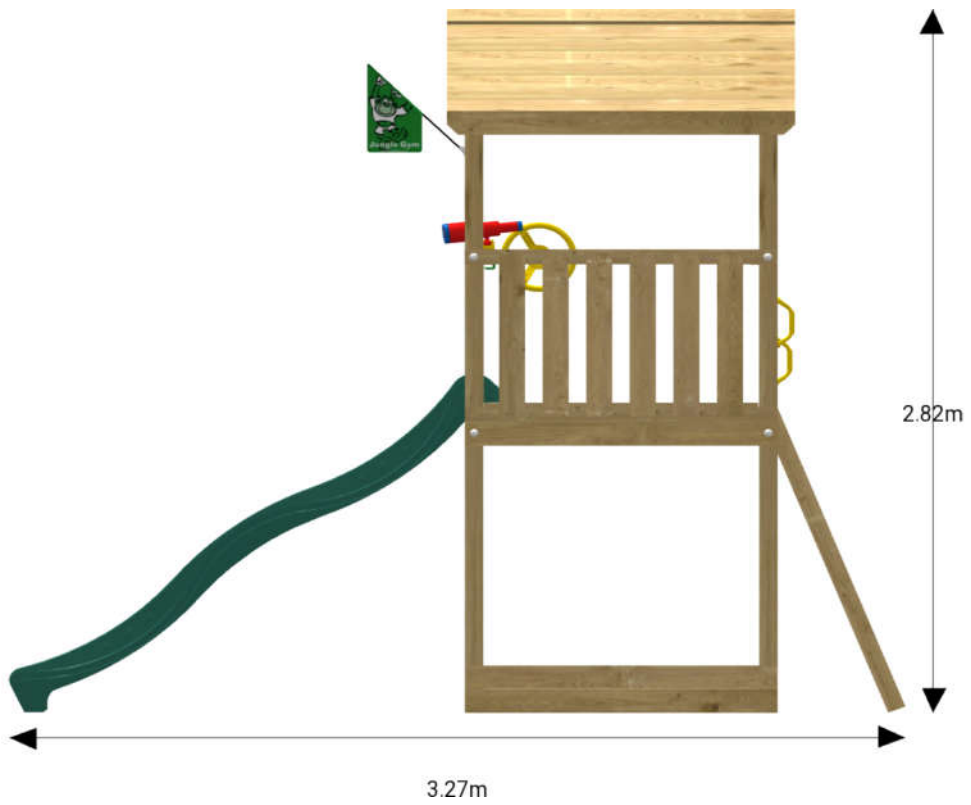
4&9

Part 1



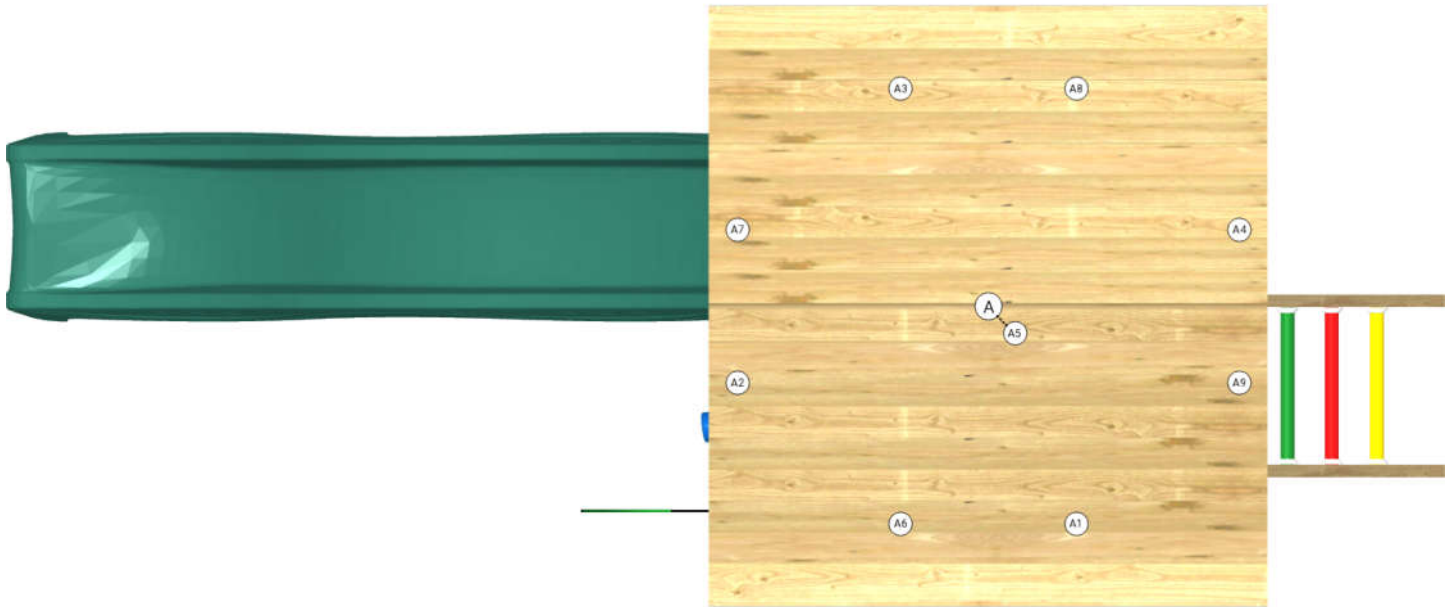
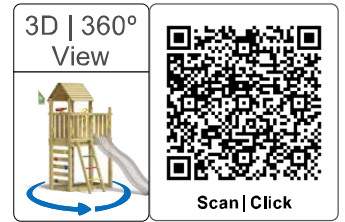


# Dimensions Abmessungen Dimensions



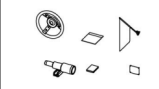


# Assembly sequence Montagereihenfolge Séquence d'assemblage



	Print ID			Positions
1	BT11a		p.19	(A)
2	BL04a		p.22	(A6) (A8)
3	RF11b		p.23	(A5)
4	LA11a		p.27	(A9)
5	SL06a		p.30	(A7)
6	GA		p.34	(A)

Manual ID: 040\_034\_2616

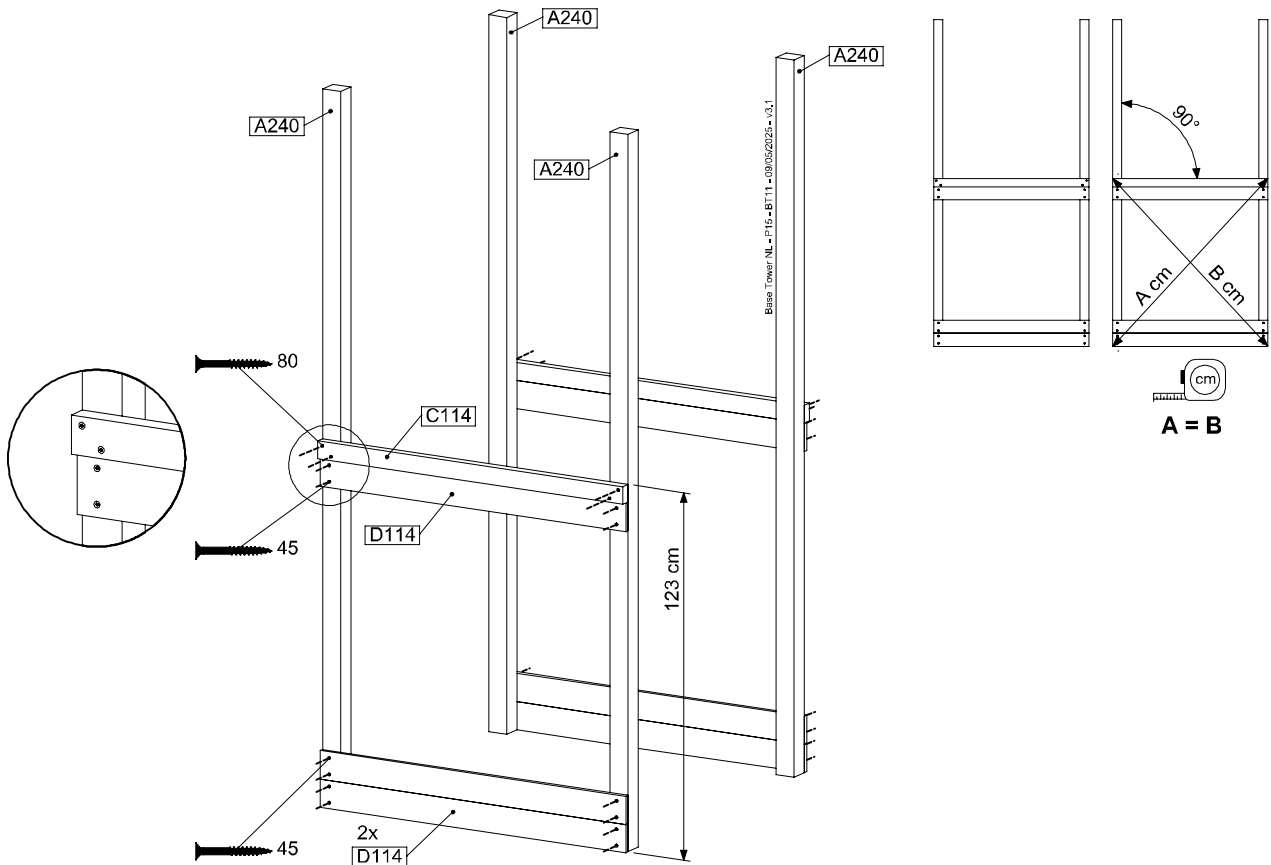
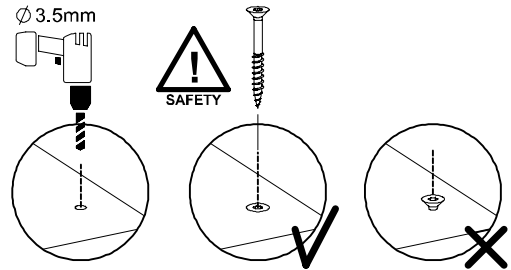
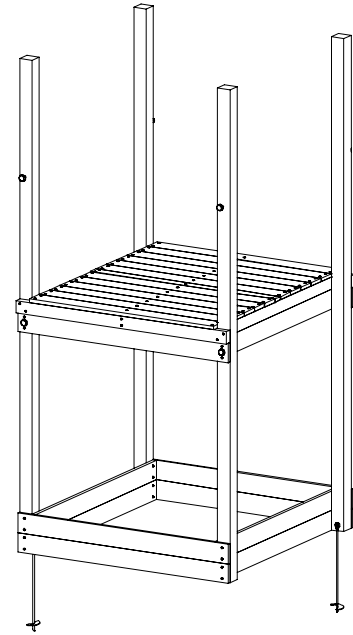
	Print ID			Positions
7	AC01a		p.36	(A)

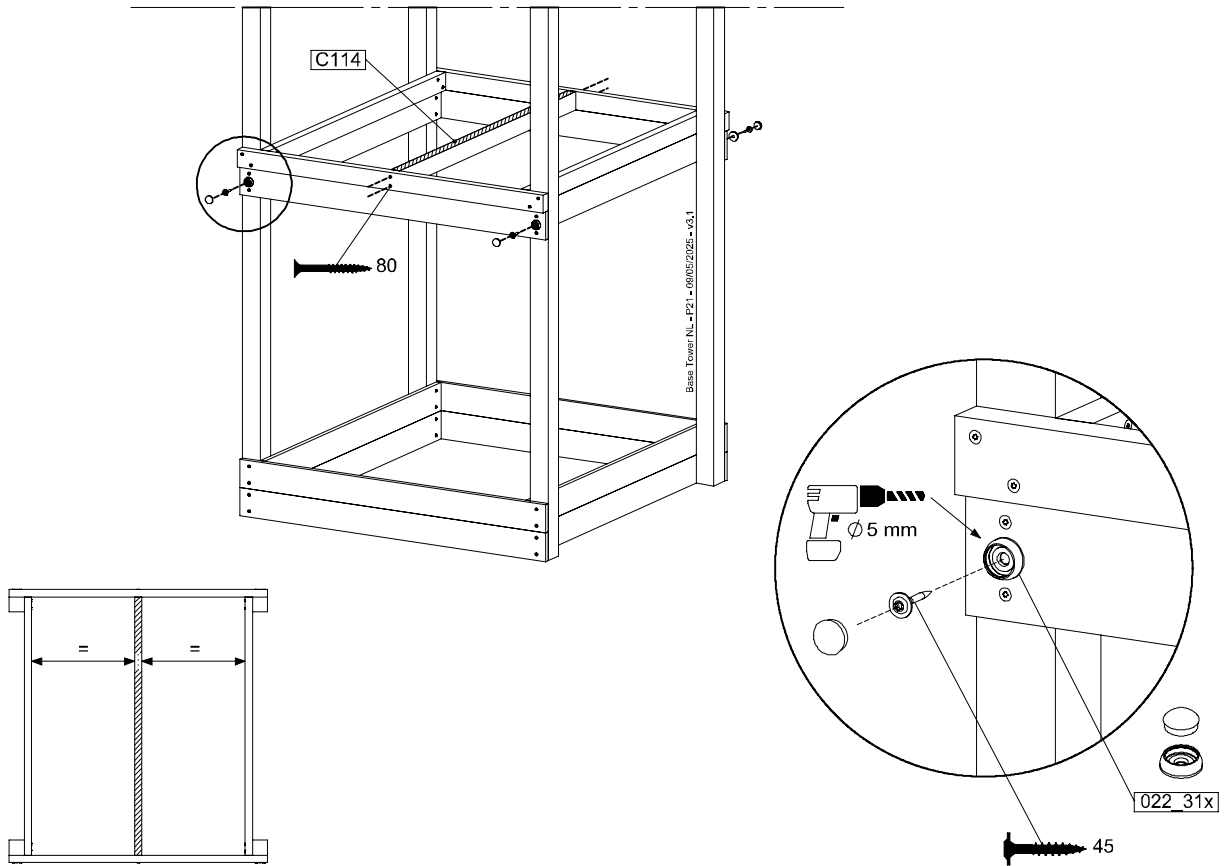
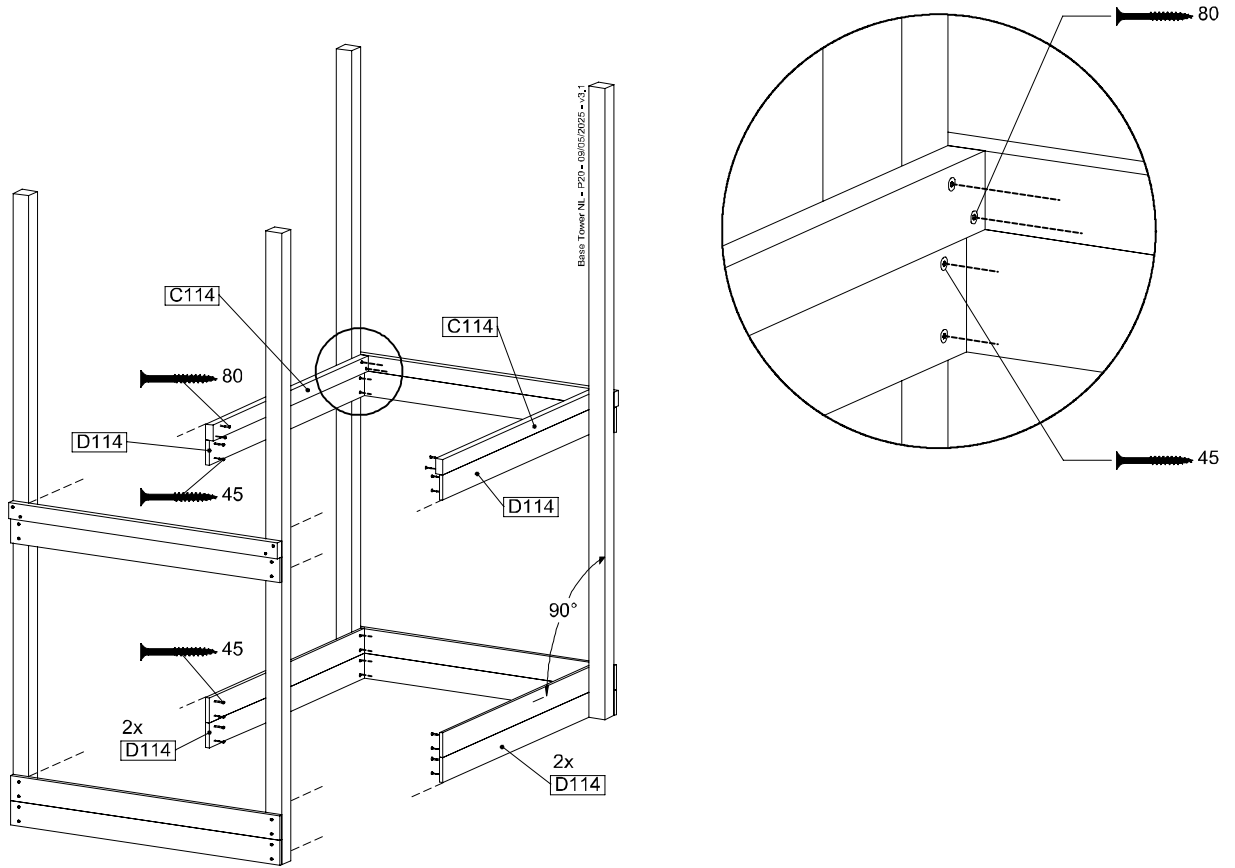
# 1 BT11a: Base Tower 115 125cm 240240

Assembly Pack: 194\_300

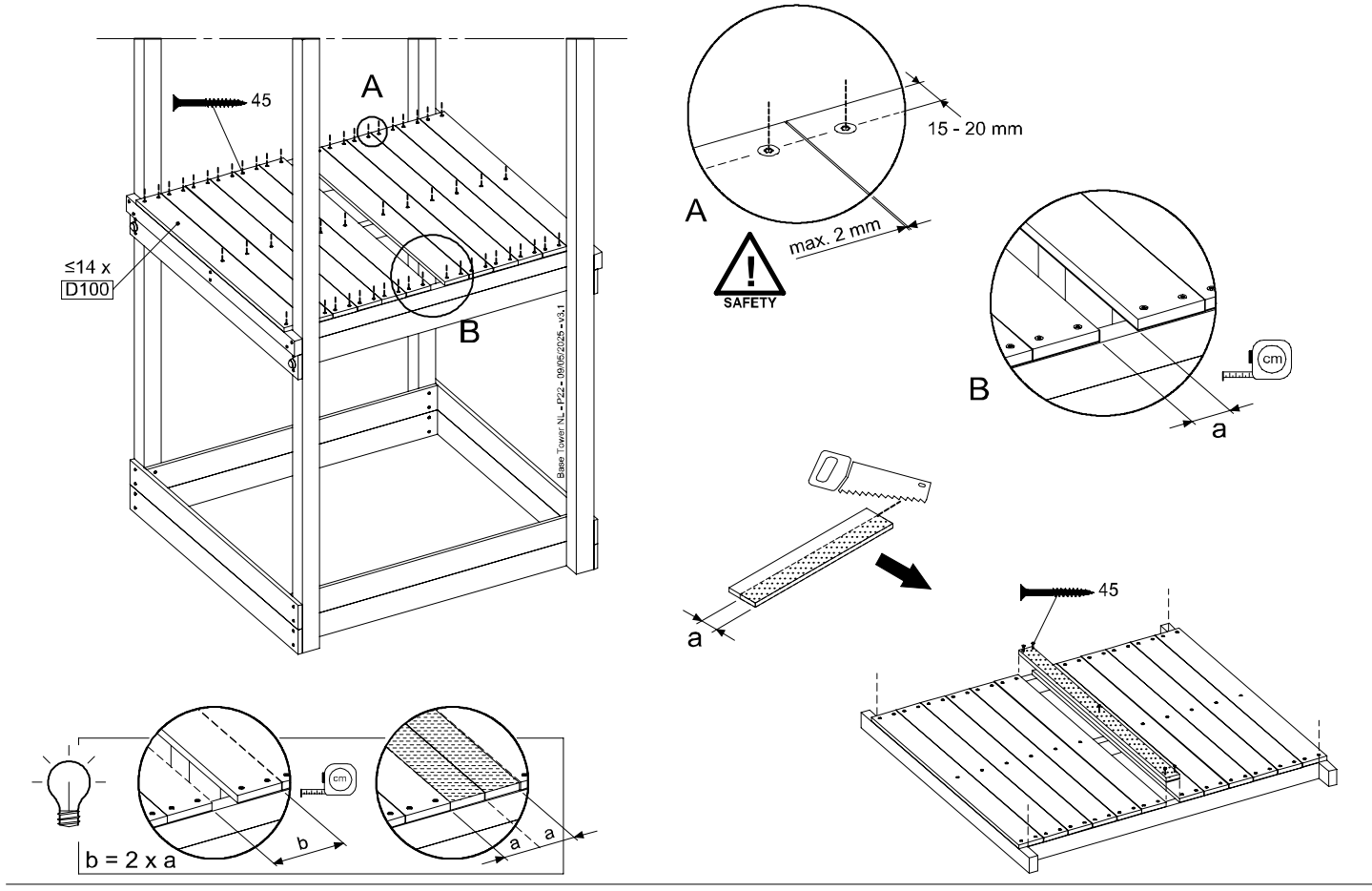
	PartNo	PartName	QTY.
Hardware + Parts	001_406	Stealth Screw 8x45	6
	001_417	Stealth Screw 8x80	4
	002_220	Gap Point Screw T25 - 5x45	118
	002_223	Gap Point Screw T25 - 5x80	20
	022_31x	bpc-base version 3	8
	022_84x	bpc cover	8
	007_001	Ground-anchor	2
Timber	A240	Post ca.70x70 L2400	4
	C114	Beam 1140 mm	5
	D100	Board 1000 mm	14
	D114	Board 1140 mm	12

Base Tower NL = P15 = BT11 - 09/05/2025 - v3.1





1.2

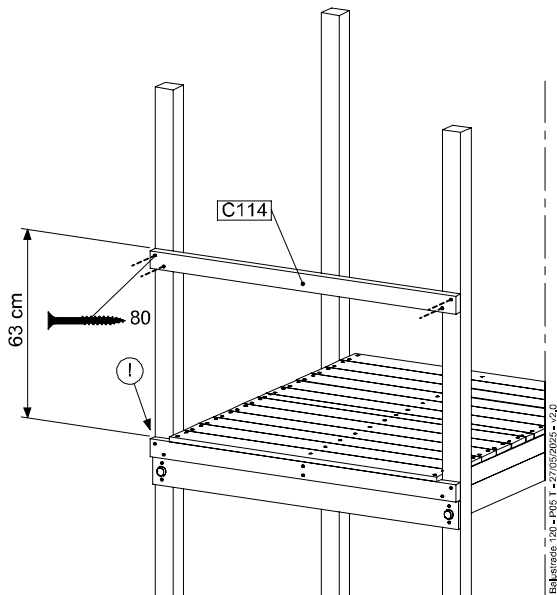
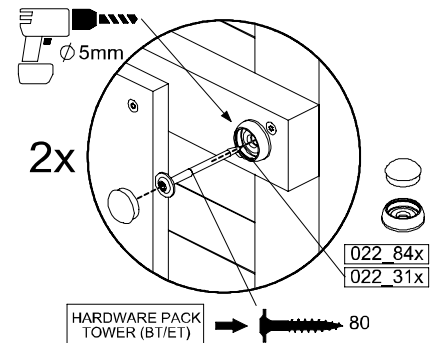
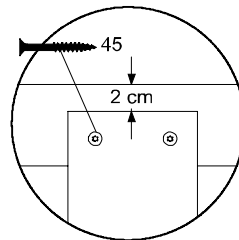
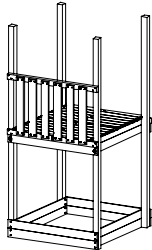
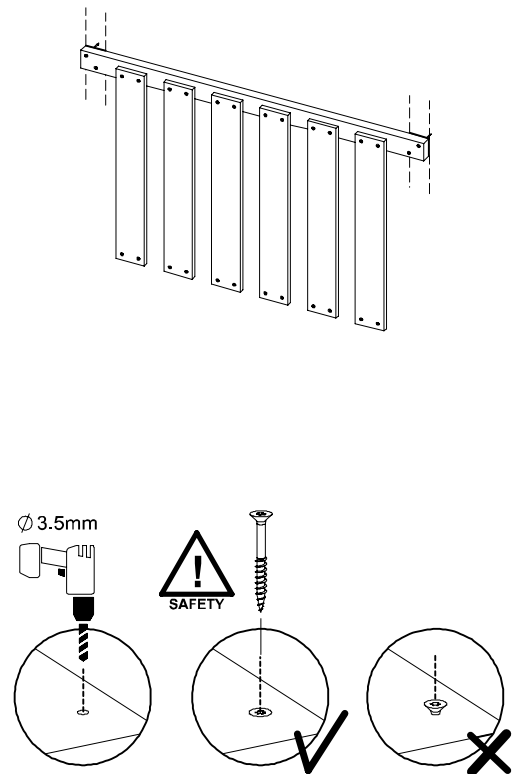


## 2 BL04a: Balustrade 115 T

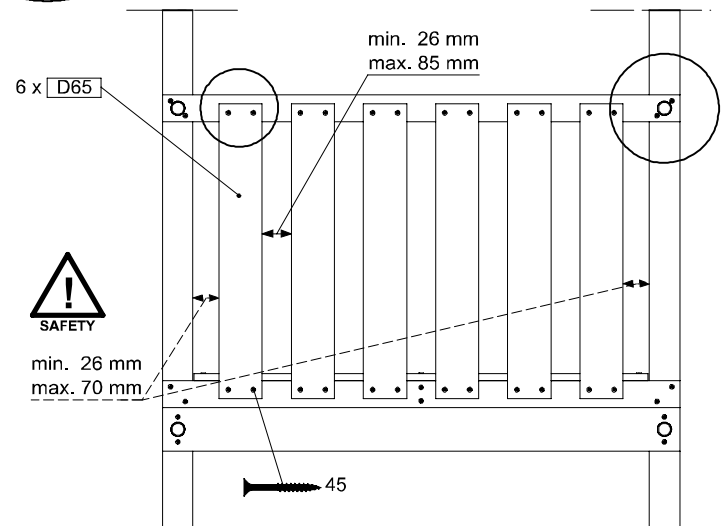
Assembly Pack: 194\_501

	PartNo	PartName	QTY.
Hardware + Parts	002_220	Gap Point Screw T25 - 5x45	24
	002_223	Gap Point Screw T25 - 5x80	4
Timber	C114	Beam 1140 mm	1
	D65	Board 650 mm	6

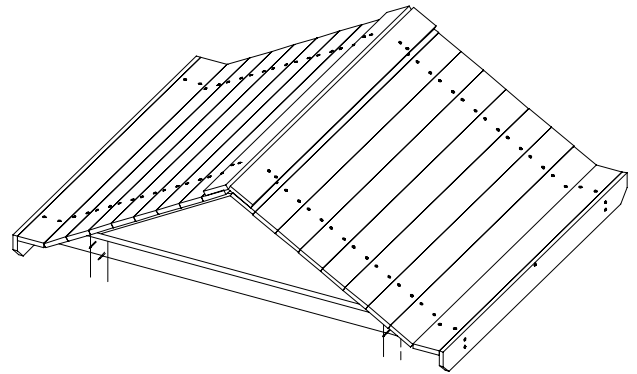
BL04a: 120 - P03 - T - 27/05/2025 - V2.0



BL04a: 120 - P03 - T - 27/05/2025 - V2.0



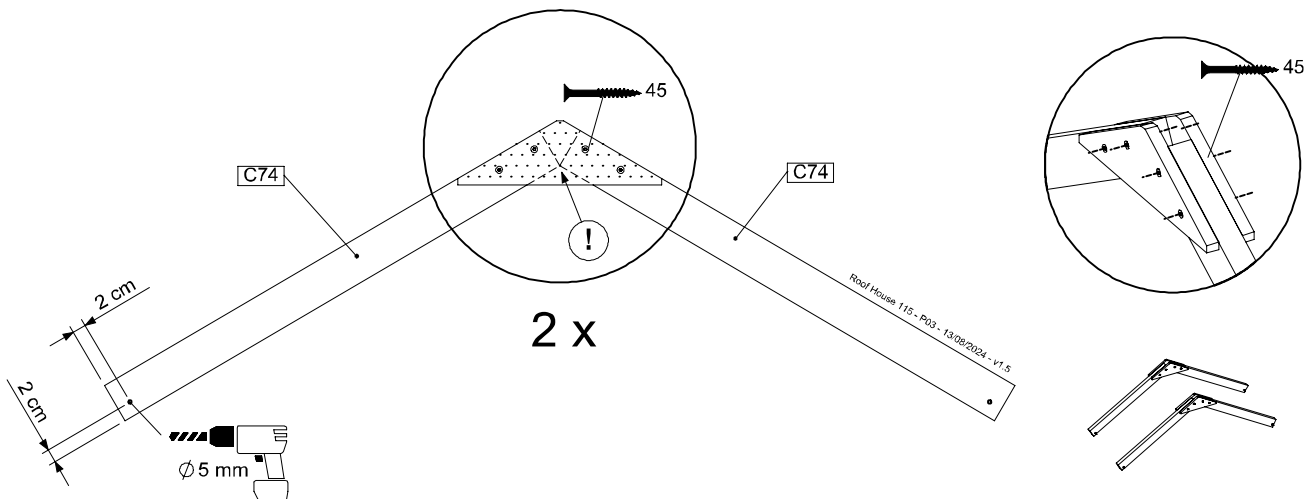
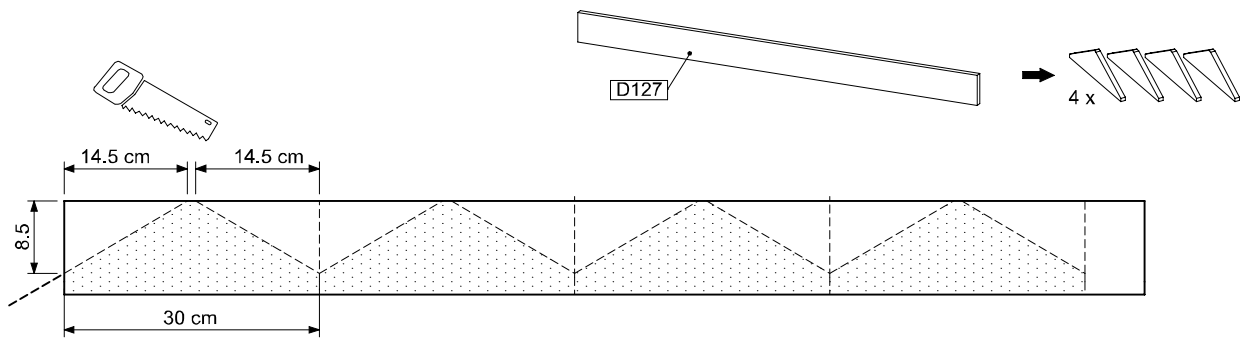
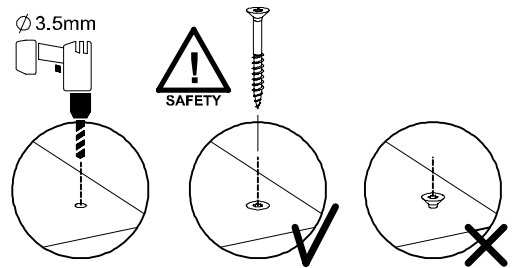
### 3 RF11b: Roof Timber Ridge 115 - 2.0



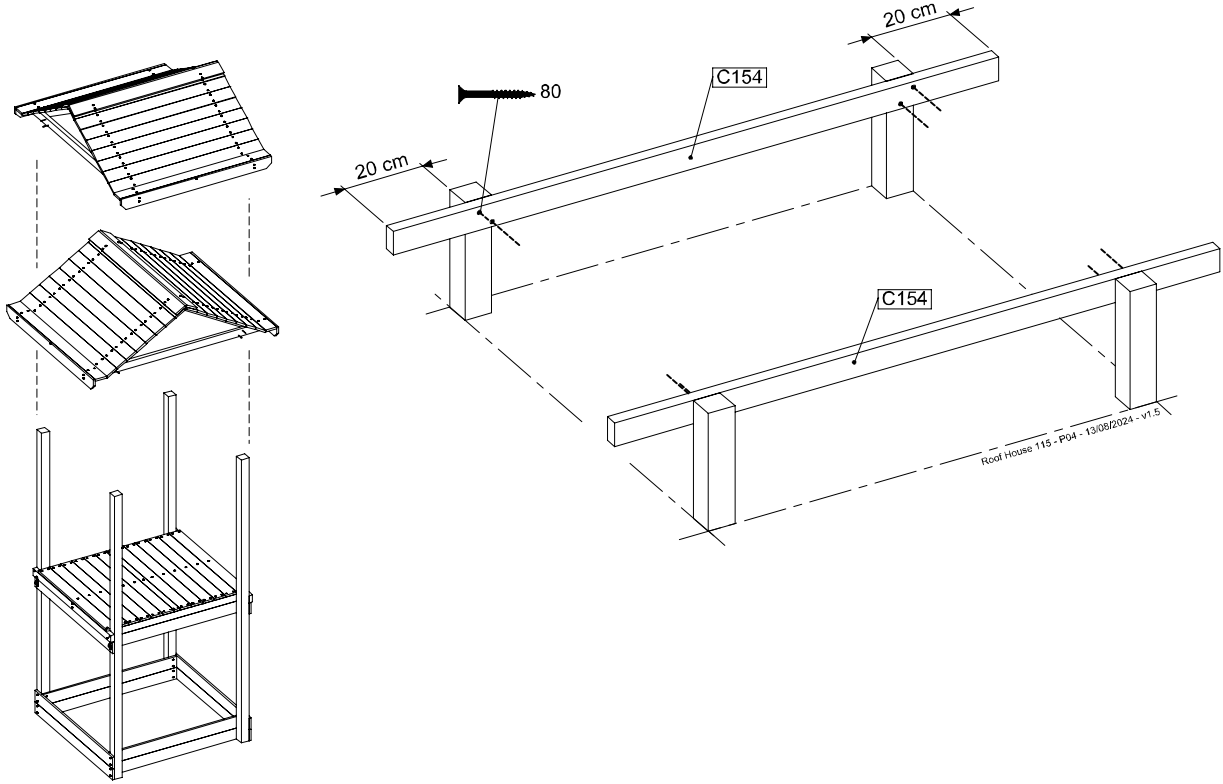
Assembly Pack: 194\_308 / 194\_804

	PartNo	PartName	QTY.
Hardware Pack	001_411	Stealth Screw 8x60	4
	001_417	Stealth Screw 8x80	4
	002_220	Gap Point Screw T25 - 5x45	106
	002_223	Gap Point Screw T25 - 5x80	16
Timber	C74	Beam 740 mm	4
	C154	Beam 1540 mm	2
	D127	Board 1270 mm	25

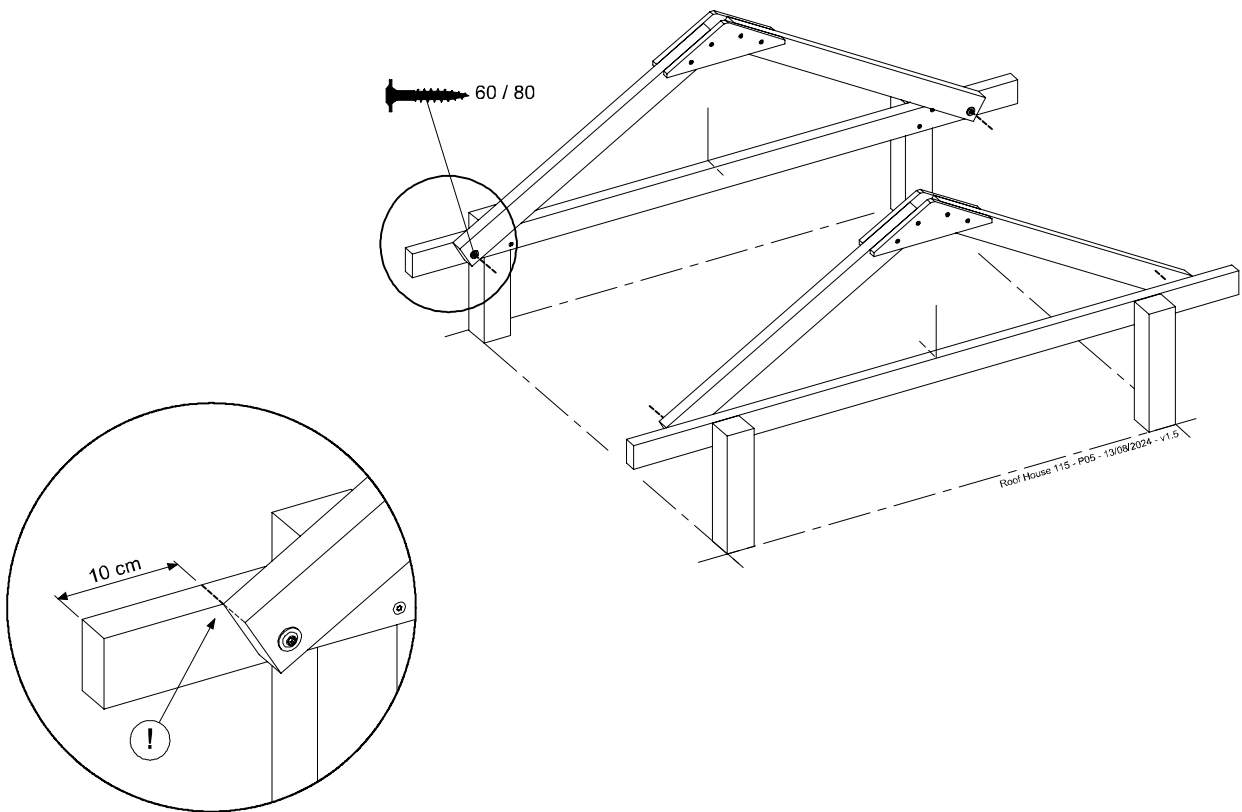
Roof House 115 - P02 - 13/08/2024 - v1.5

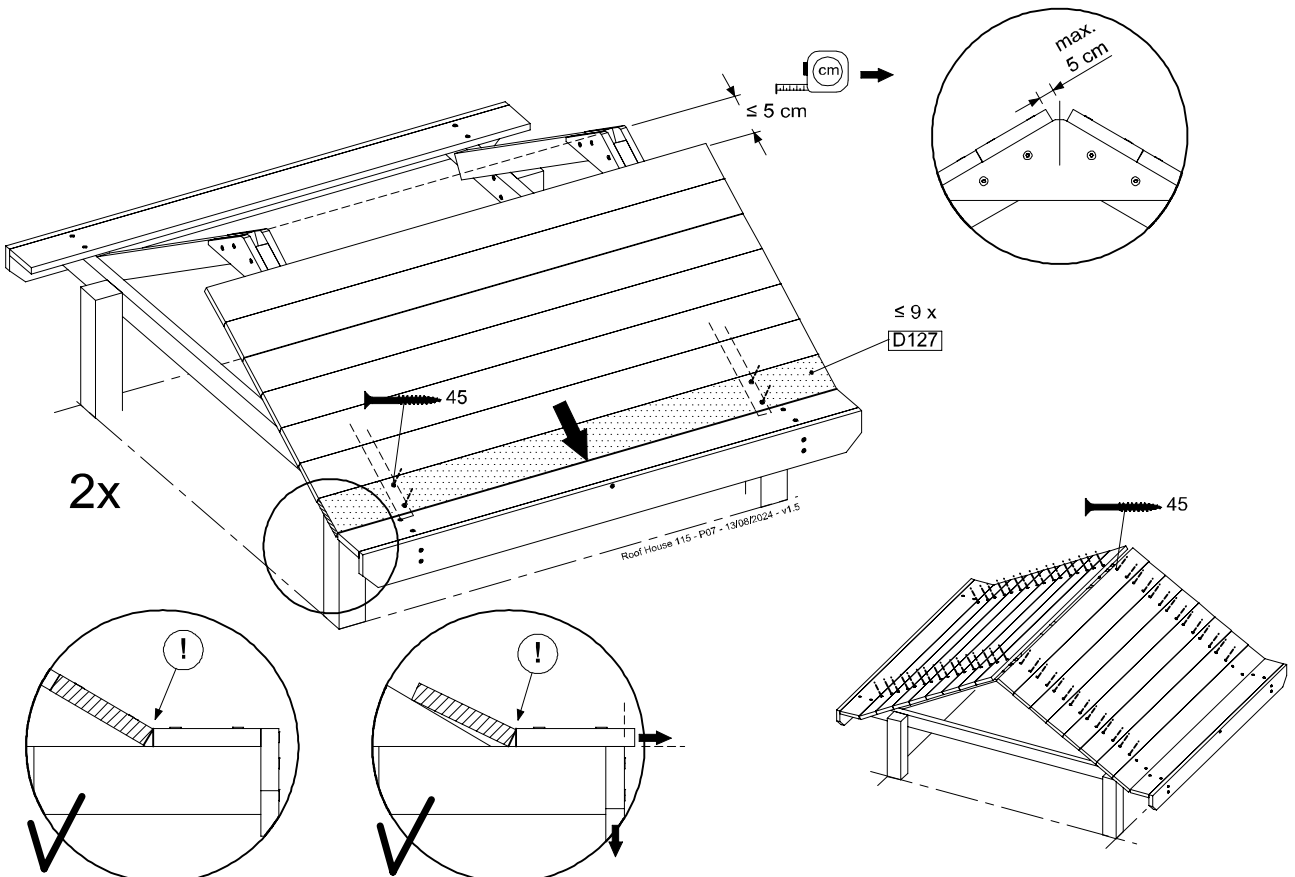
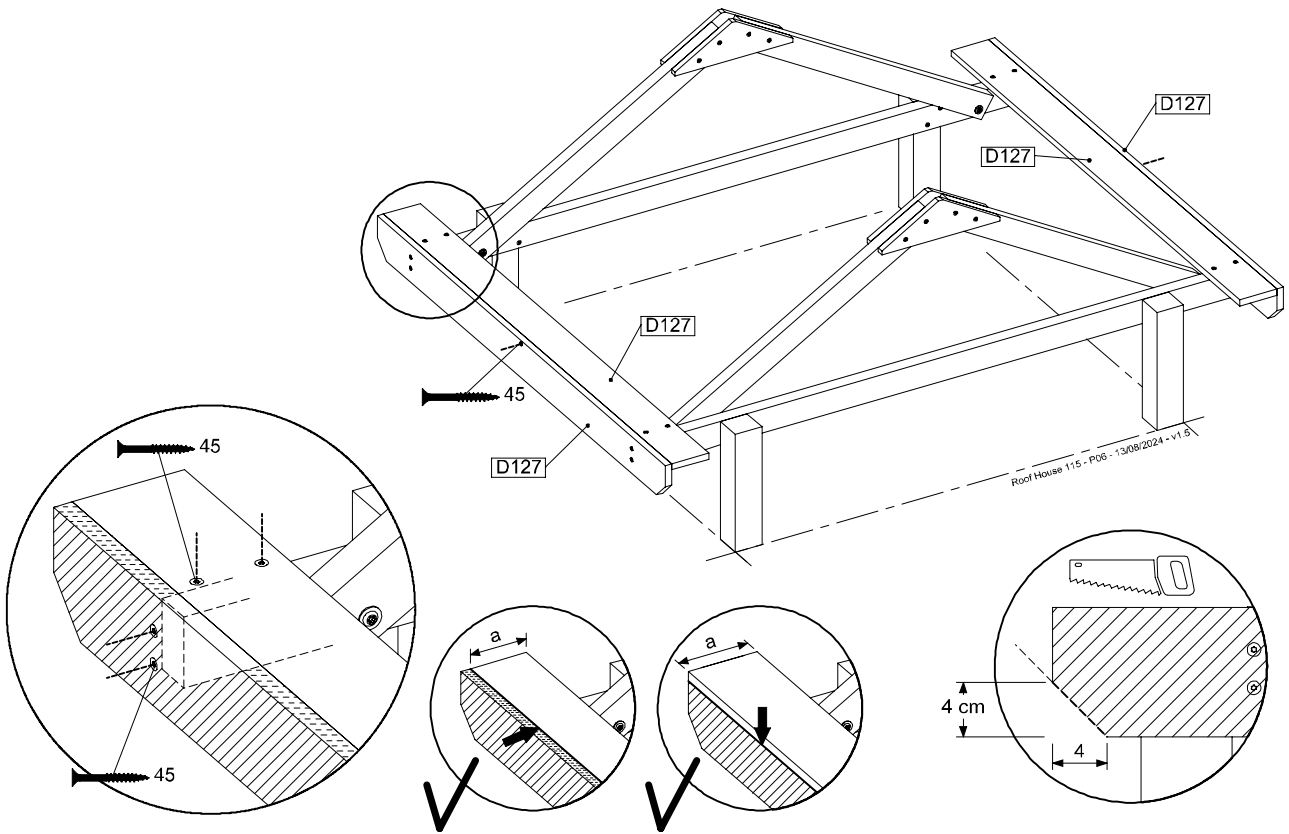


3.1

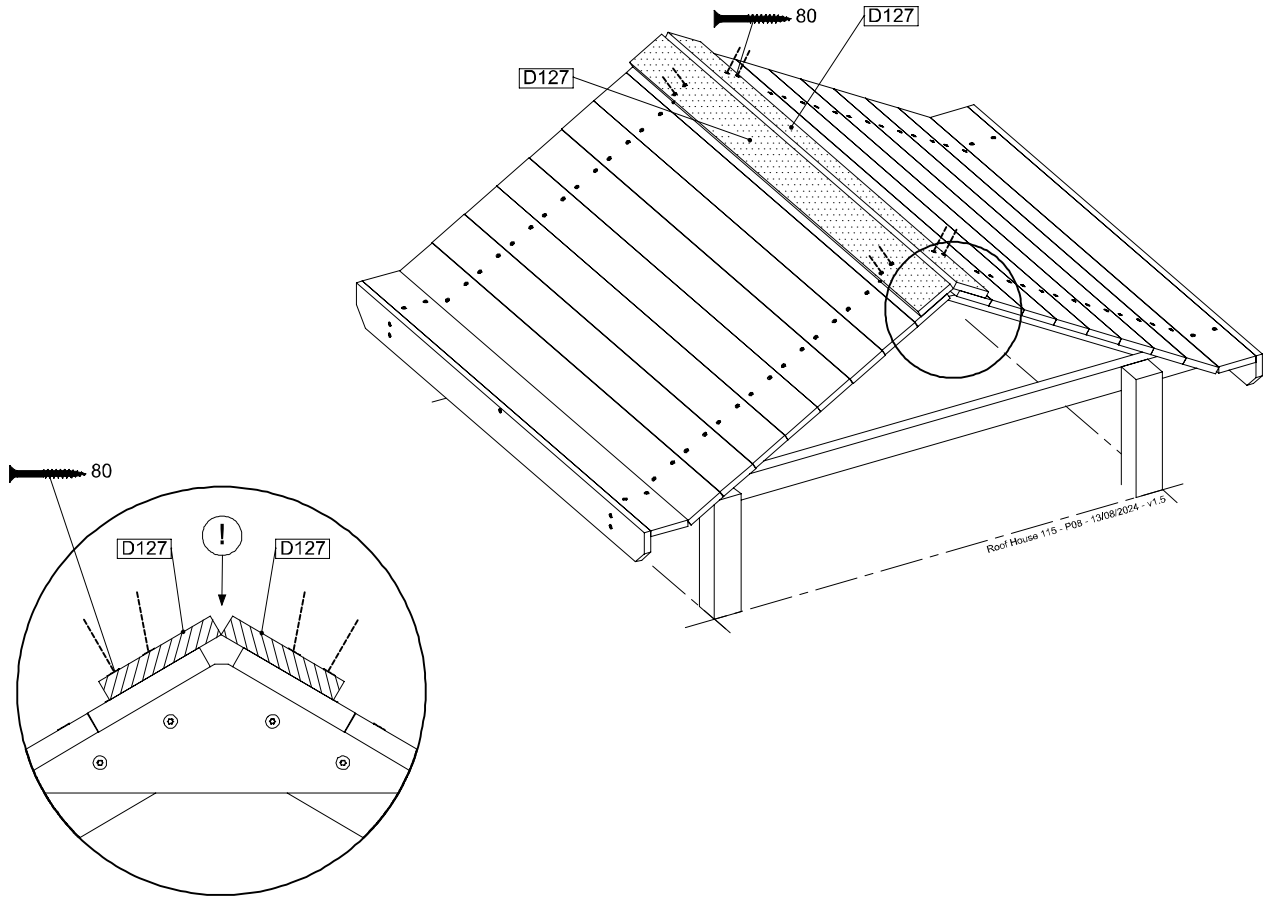


Manual ID: 040\_034\_2616





3.3



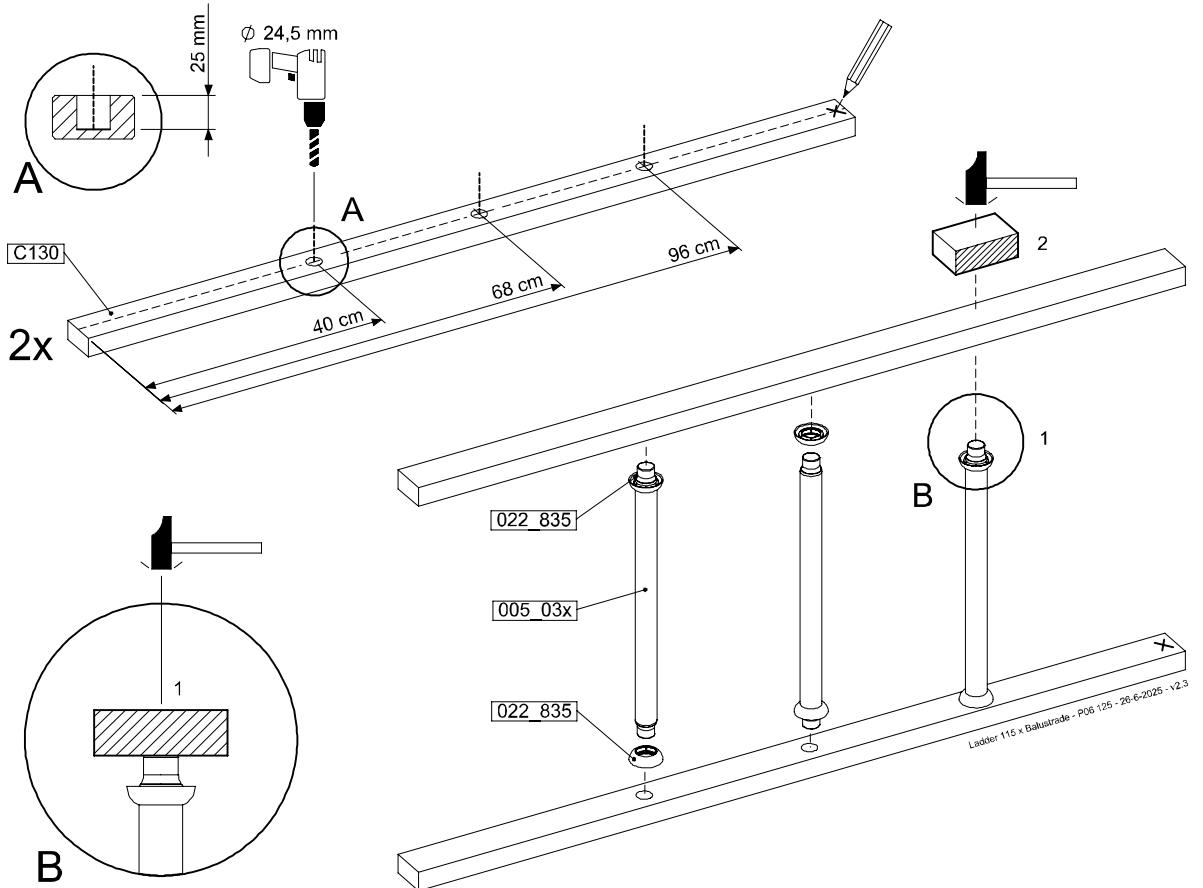
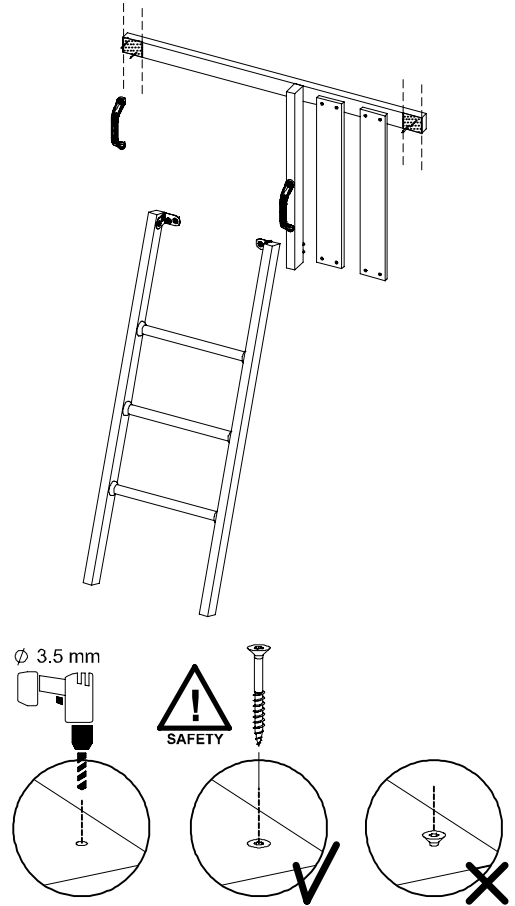
Manual ID: 040\_034\_2616

## 4 LA11a: Ladder 115 125 U Left

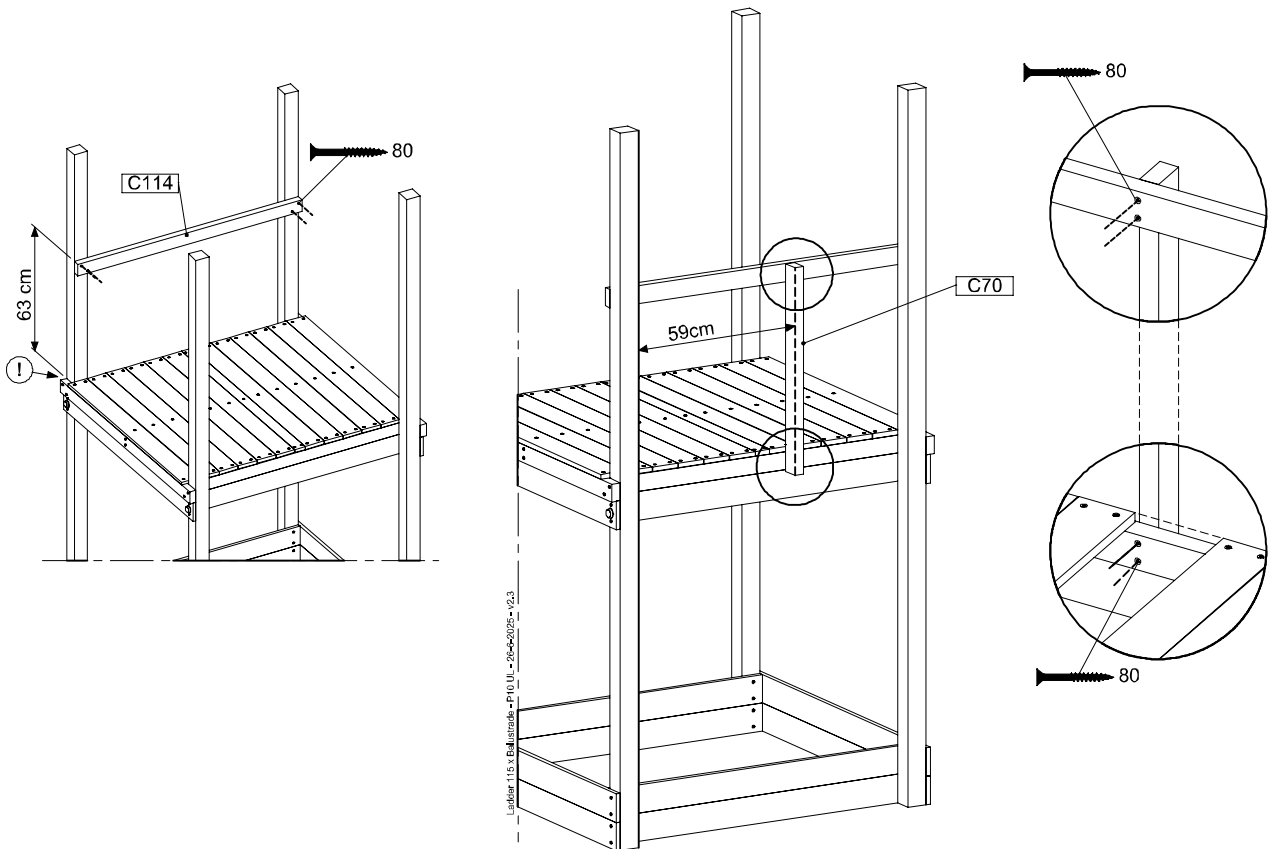
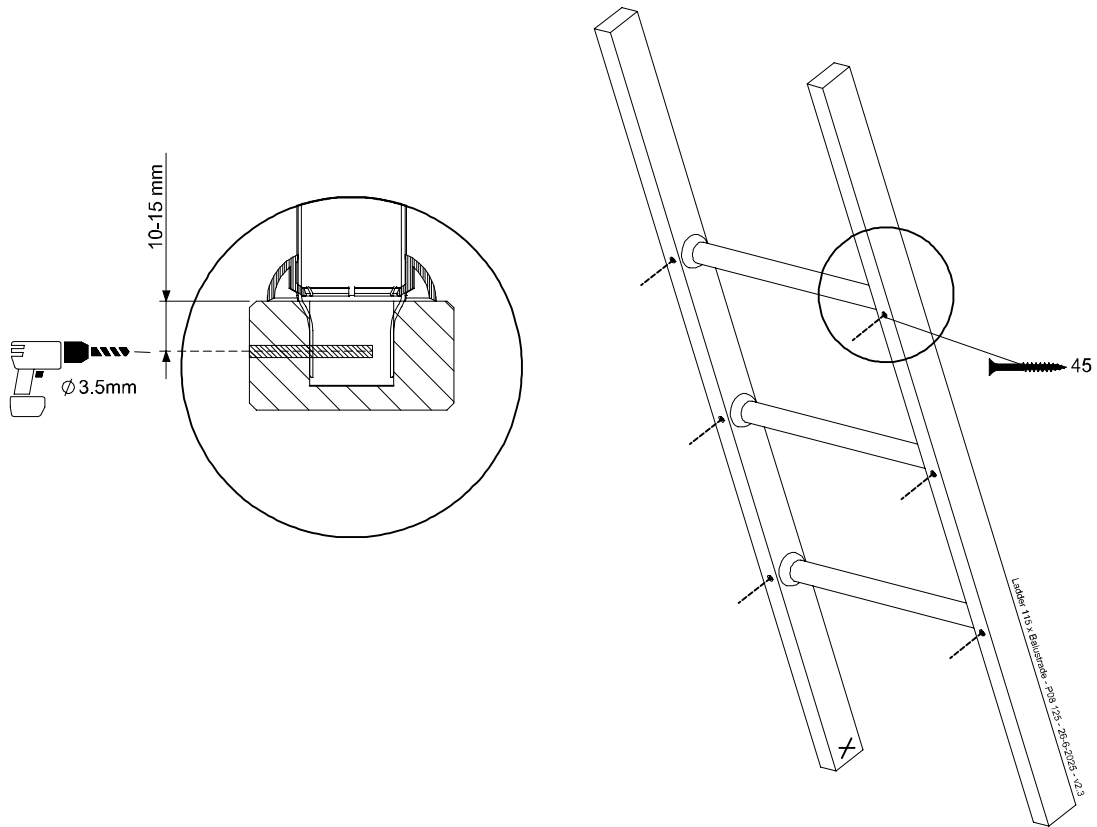
Assembly Packs: 194\_003 (LA11a) /194\_103 (LA11b) + 194\_101

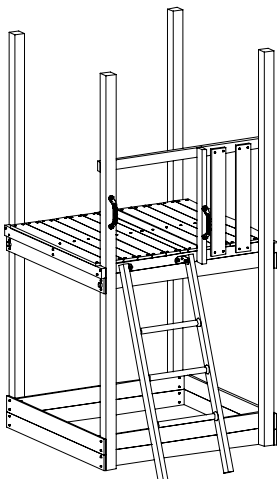
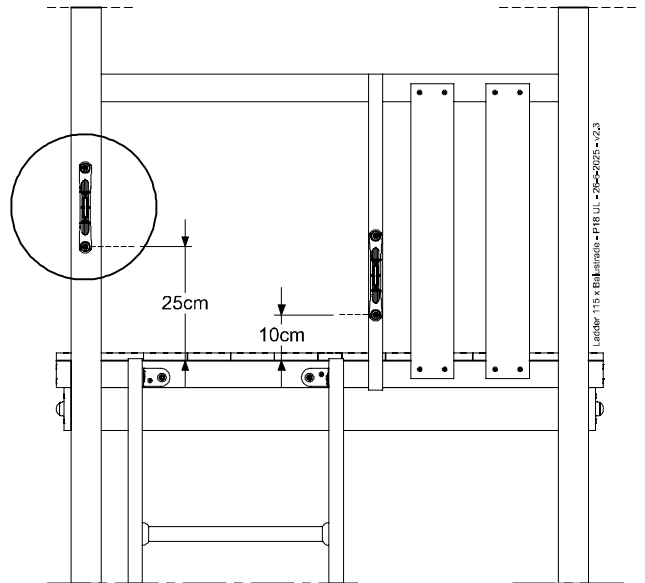
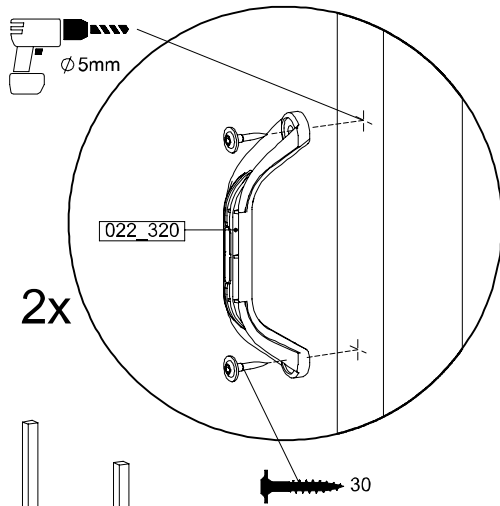
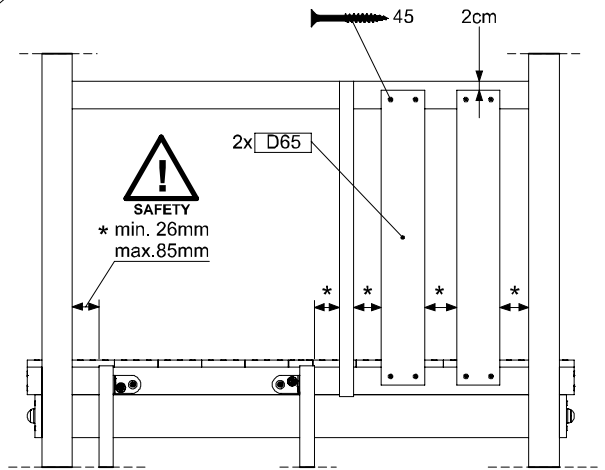
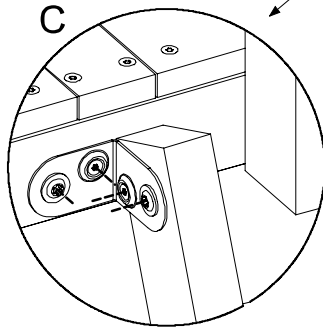
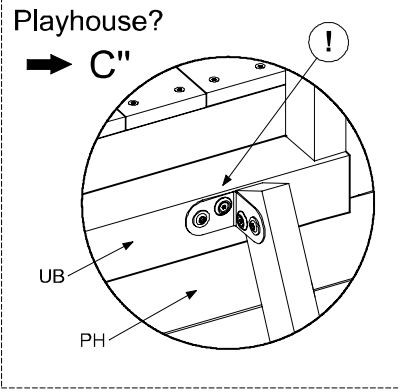
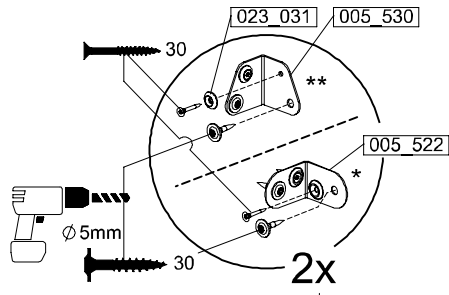
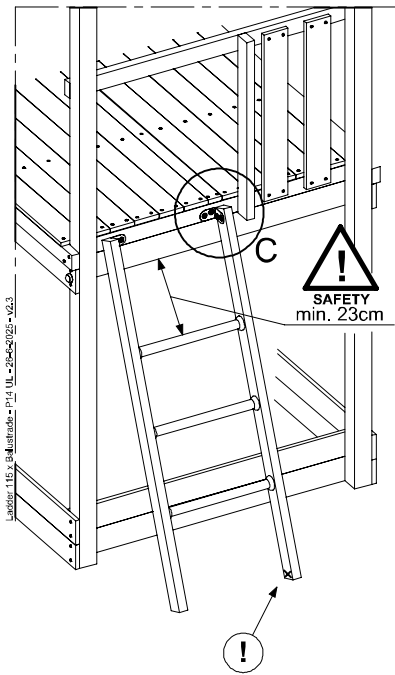
	PartNo	PartName	QTY.
Hardware + Parts	001_404	Stealth Screw 8x30	4
	002_219	Gap Point Screw T25 - 5x30	4
	002_220	Gap Point Screw T25 - 5x45	14
	002_223	Gap Point Screw T25 - 5x80	8
	005_03x	Ladder Rung Y/B/G/R	3
	005_522* /	Connection Bracket Mini Market /	2
	005_530**	Connection Bracket Ladder + 2x 023_031 Finishing Washer GPS 5.0	
		022_835	Rung Cap
	120_102	Handgrip set (complete 2x)	1
Timber	C70	Beam 700 mm	1
	C114	Beam 1140 mm	1
	C130	Beam 1300 mm	2
	D65	Board 650 mm	2

Ladder 115 x Bakustrade - P02 UI 125 - 26-6-2025 - v2.3



Ladder 115 x Bakustrade - P06 125 - 26-6-2025 - v2.3



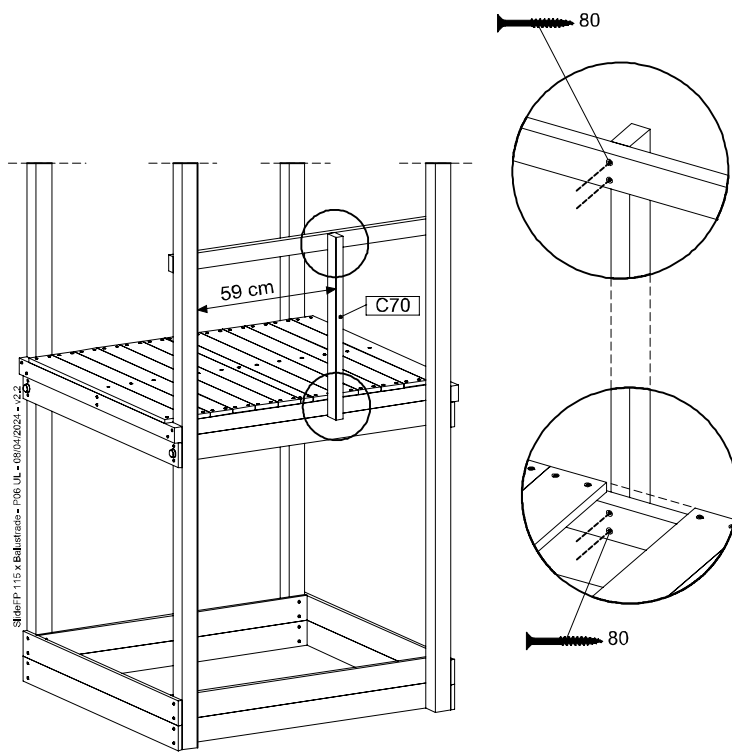
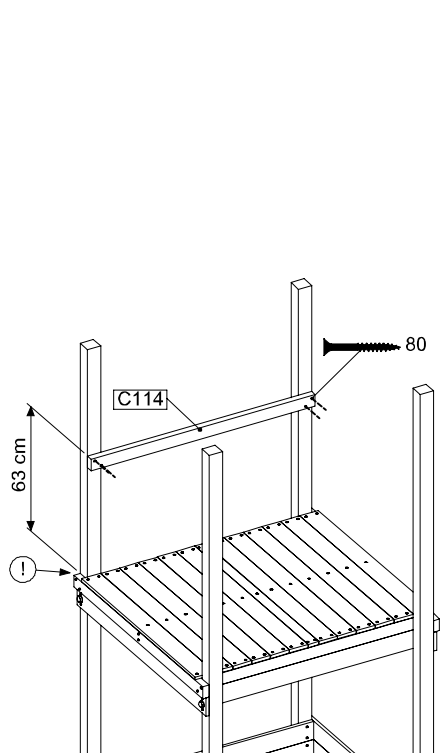
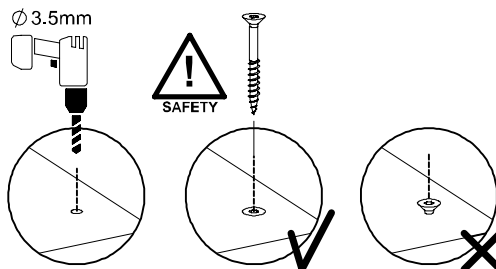
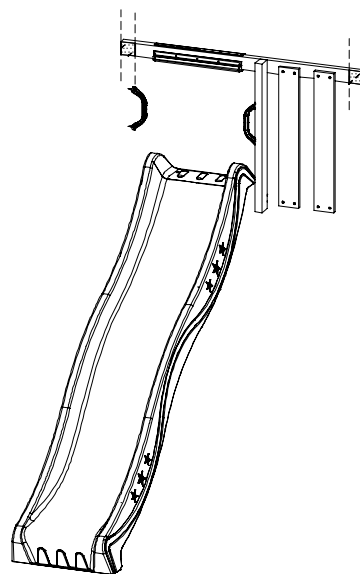


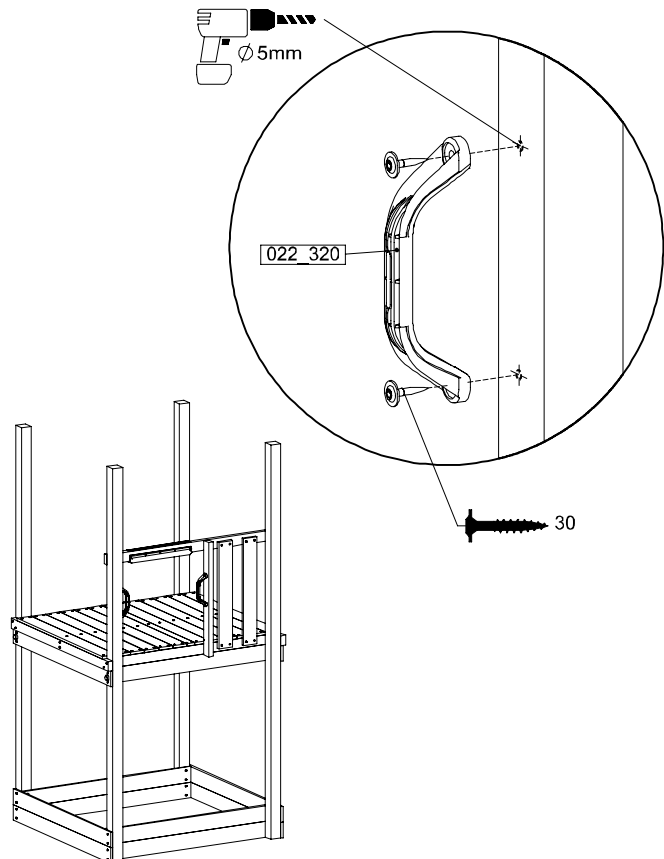
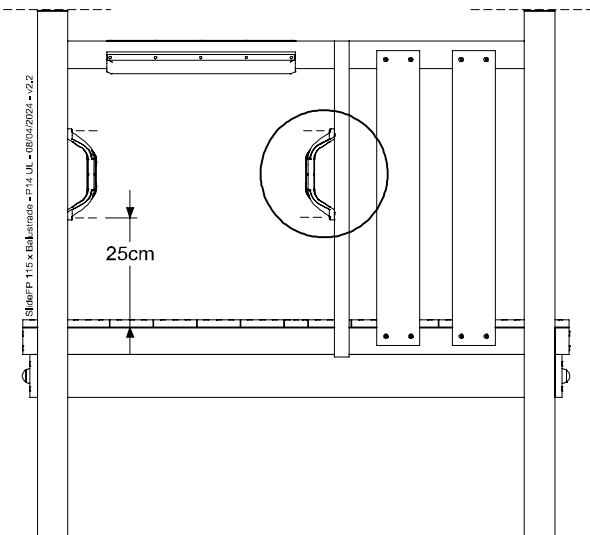
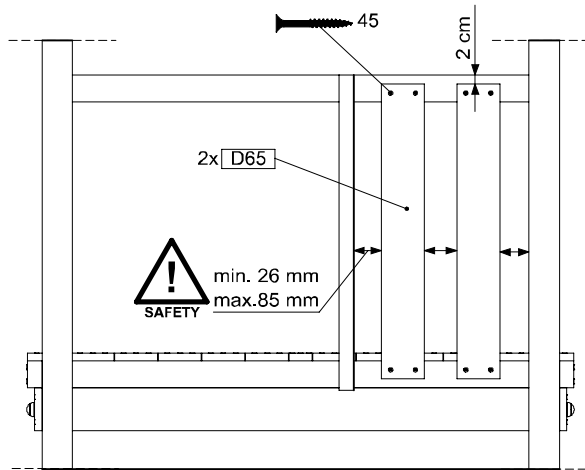
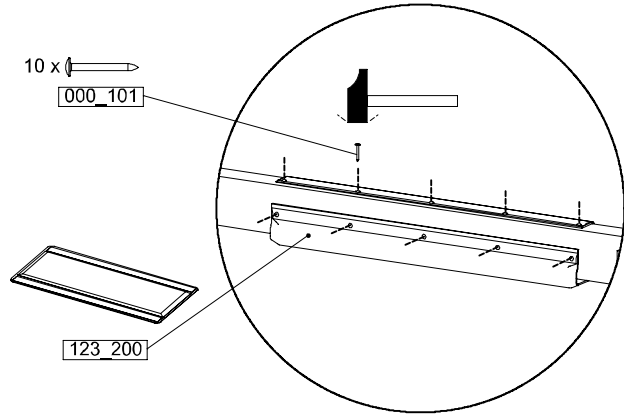
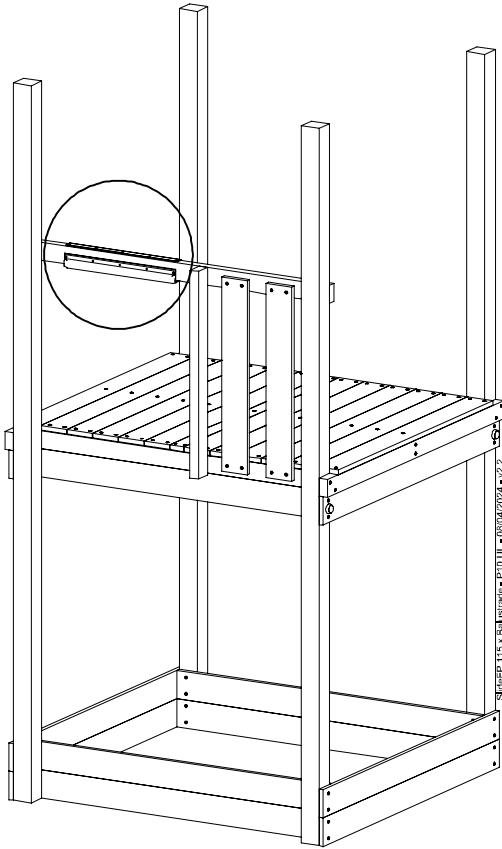
## 5 SL06a: Slide 115 125 U Left

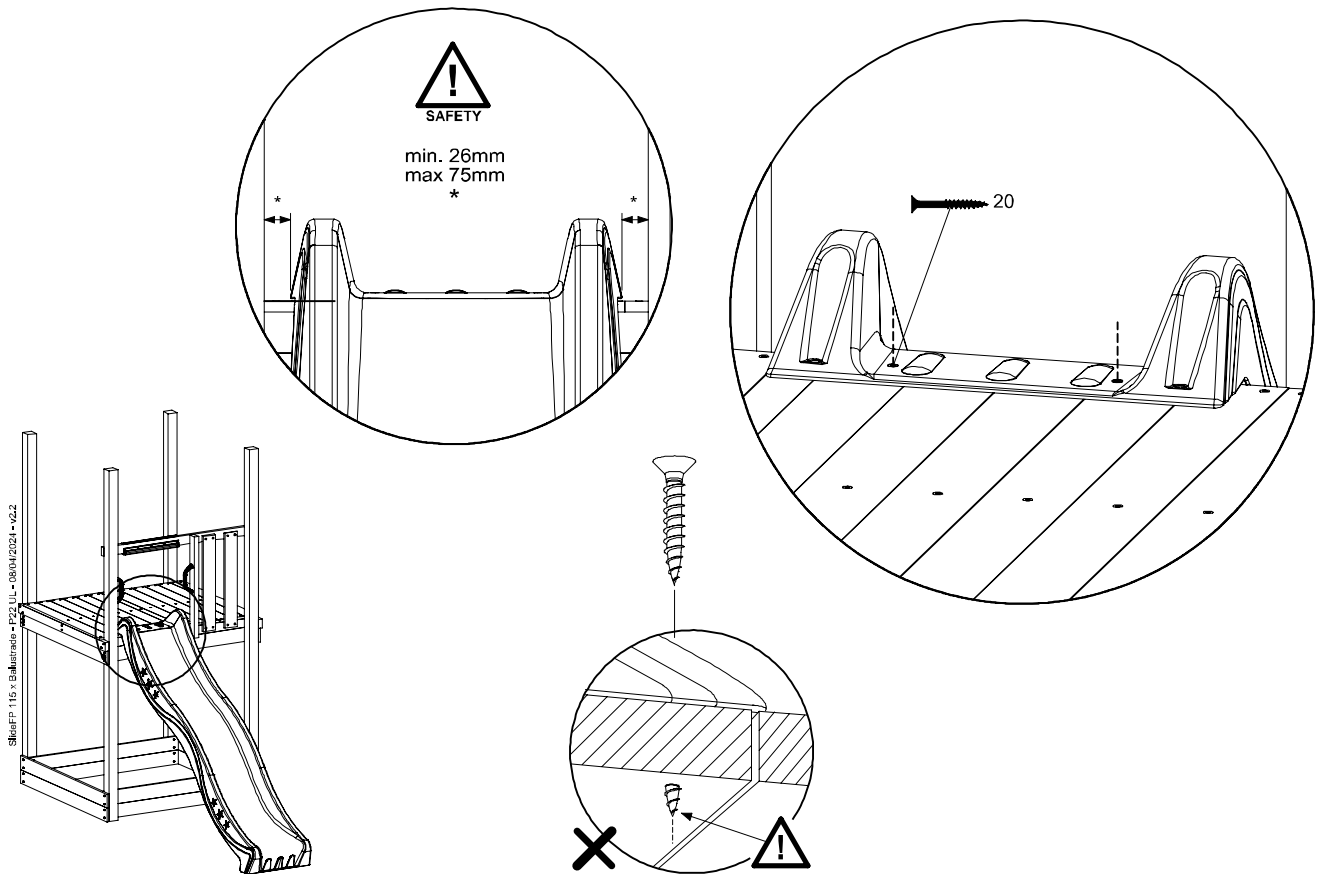
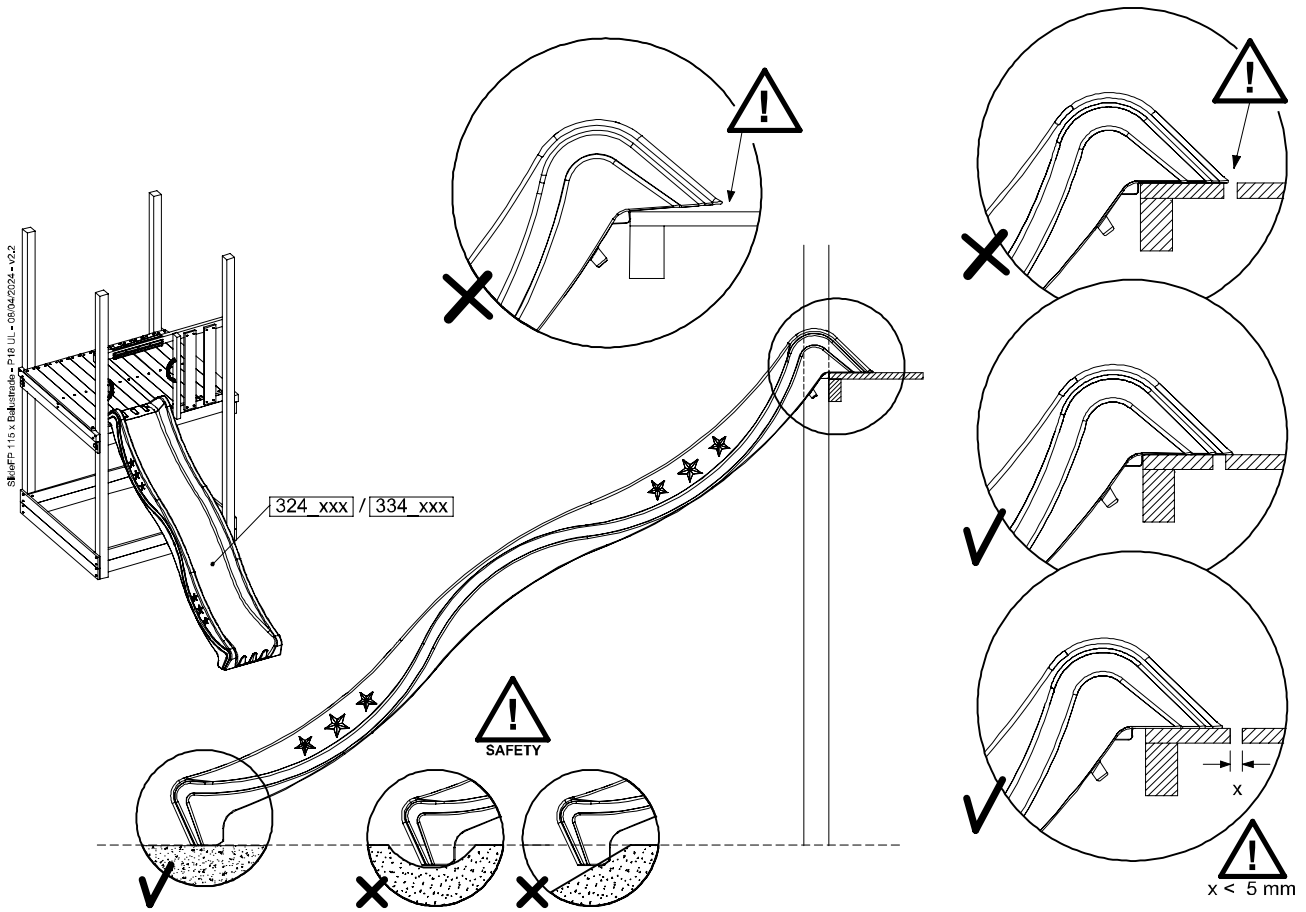
Assembly Packs: 194\_107 + 194\_101

	PartNo	PartName	QTY.
Hardware + Parts	000_101	Nail Pan Head	10
	002_220	Gap Point Screw T25 - 5x45	8
	002_223	Gap Point Screw T25 - 5x80	8
	002_308	Gap Point Screw T25 - 5x20	2
	120_102	Handgrip set (complete 2x)	1
	123_200	Bumperpad	1
	324_xxx 334_xxx	Wavy Star Slide XL 2200 mm / Wavy Star Slide XXL 2650 mm	1
Timber	C114	Beam 1140 mm	1
	C70	Beam 700 mm	1
	D65	Board 650 mm	2

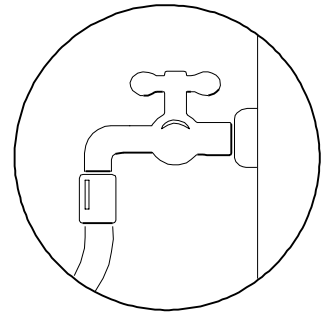
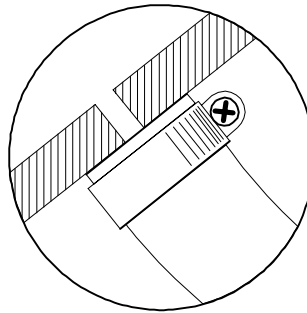
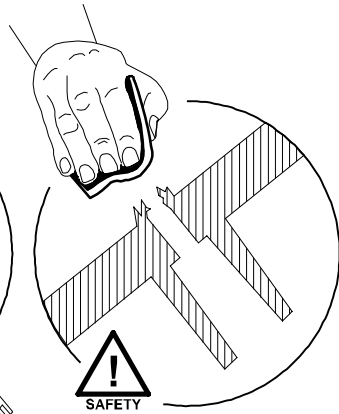
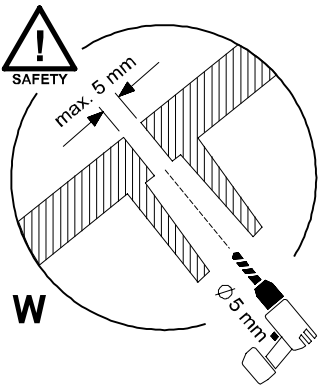
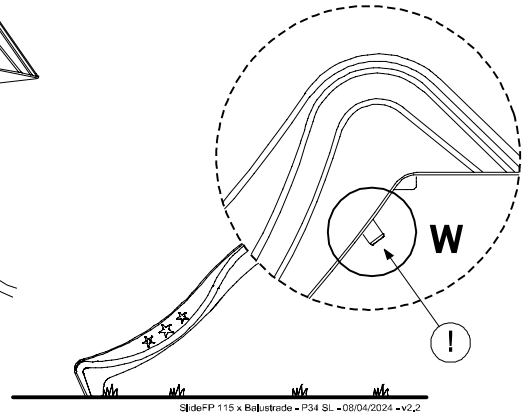
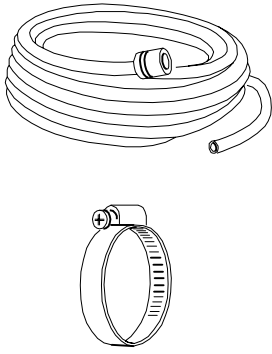
SlideFP 115 x Ballustrada = P06\_UL = 08/04/2024 = v2.2





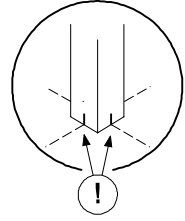
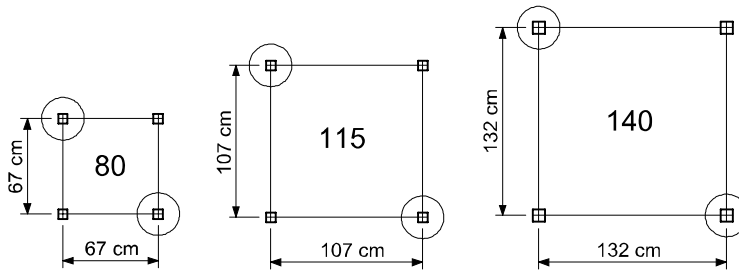
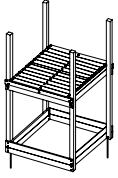


5.3

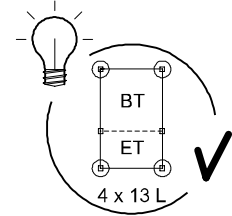
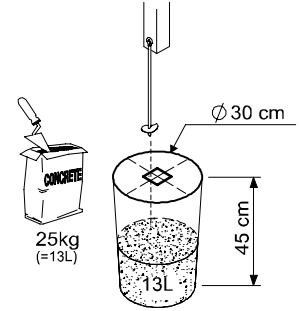
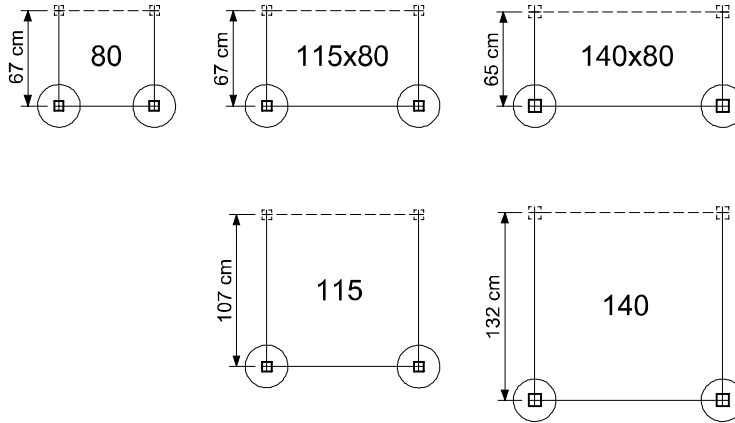
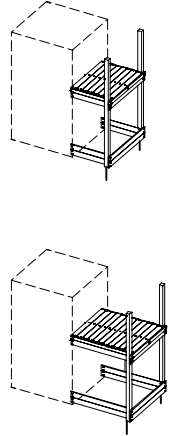


# 6 GA: Ground Anchors

BASE TOWERS

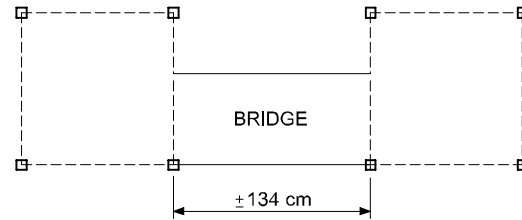
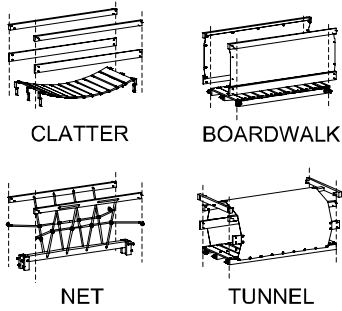


EXTENSION TOWERS



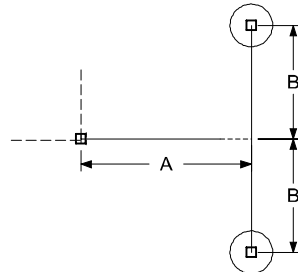
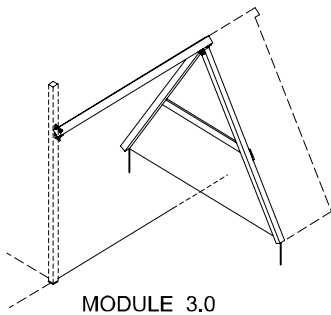
Ground Anchor Unit - P03 - Z207/2025 - v2.3

BRIDGES



Ground Anchor Unit - P04 - Z207/2025 - v2.3

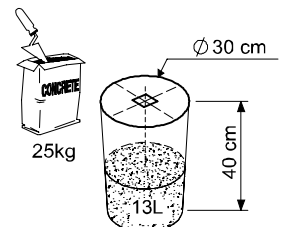
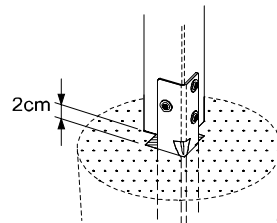
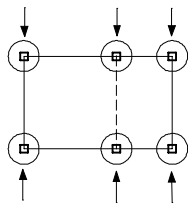
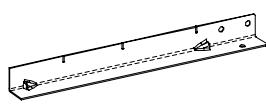
SWING / CLIMB



MODULE 3.0	Module type	A	B
	1-Swing 200 - 3.0	155	110
1-Swing 220 (Extra) - 3.0		115	
1-Climb 200 - 3.0	148		
2-Climb 200 - 3.0	222	110	
2-Swing 200 - 3.0	215		
1-Climb 220 (Extra) - 3.0	170	115	
2-Climb 220 (Extra) - 3.0	242		
2-Swing 220 (Extra) - 3.0	235		

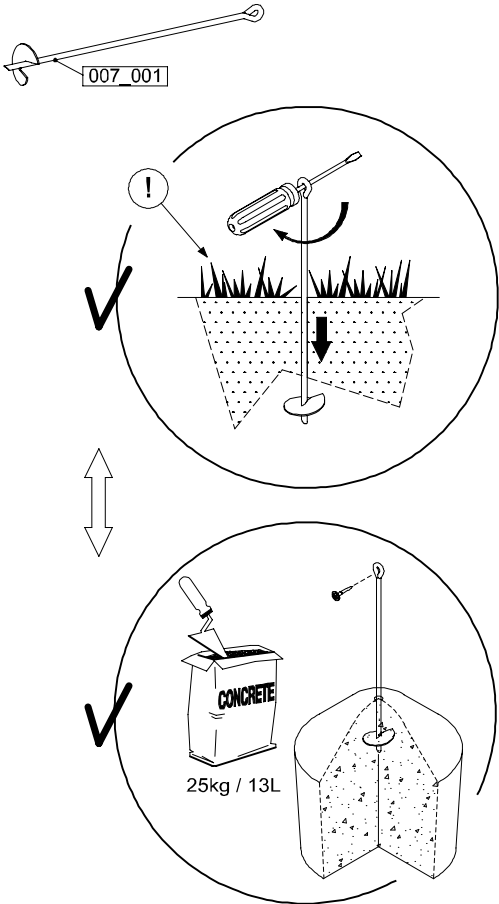
cm

Post ground anchor - optional -

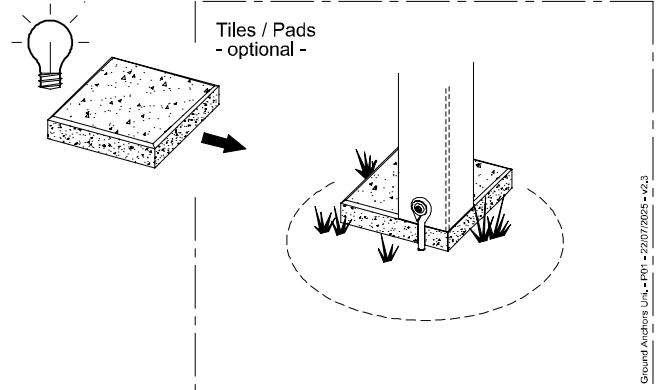
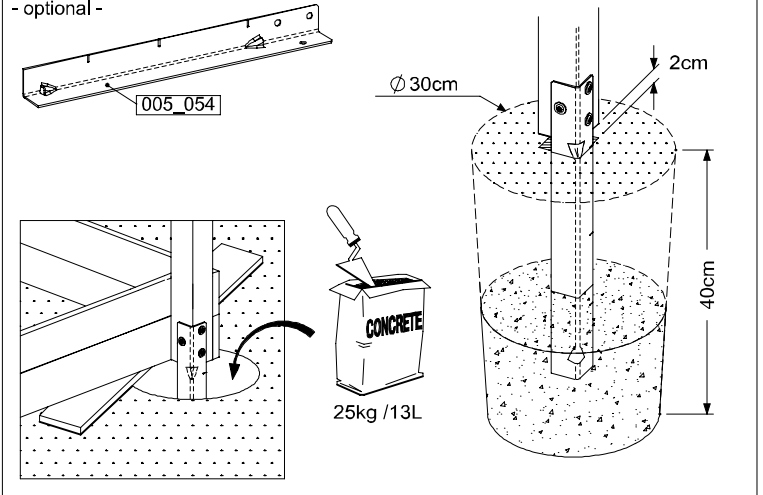


# 6.1

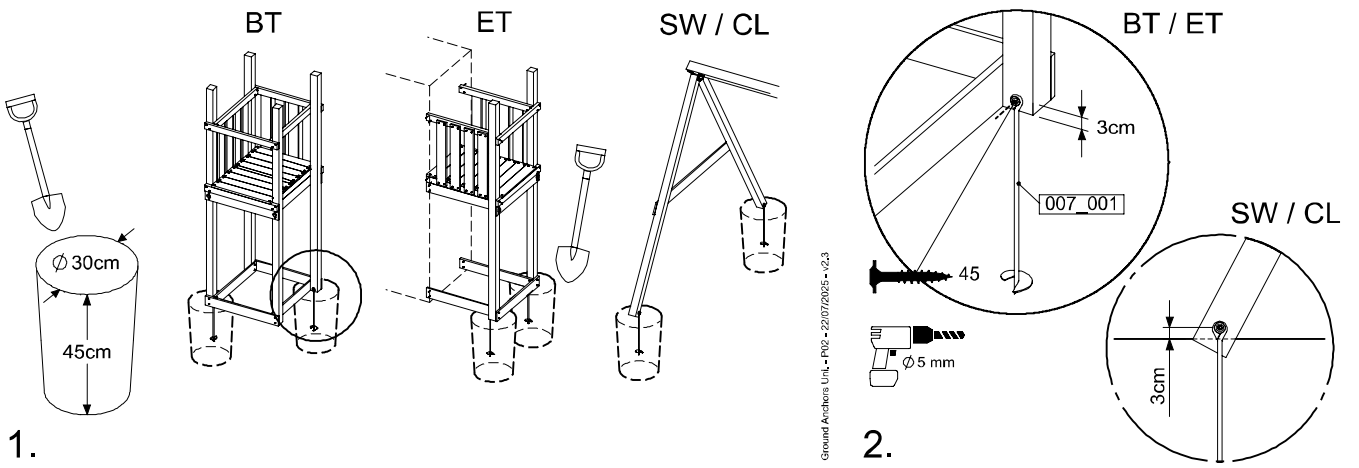
## Screw-in ground anchor



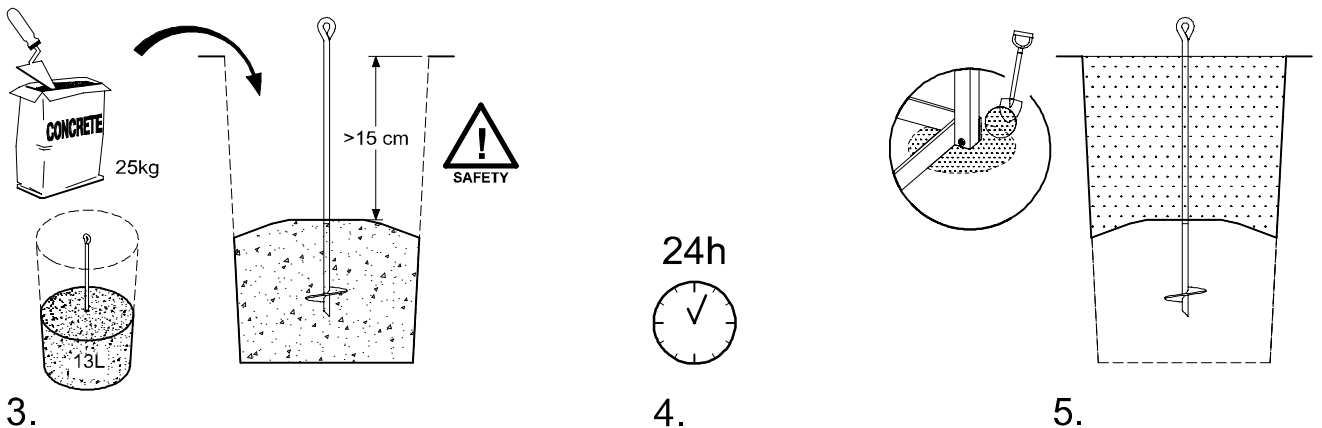
## Post ground anchor - optional -



Ground Anchors Unit - P10 - 22/07/2025 - v2.3



Ground Anchors Unit - P10 - 22/07/2025 - v2.3

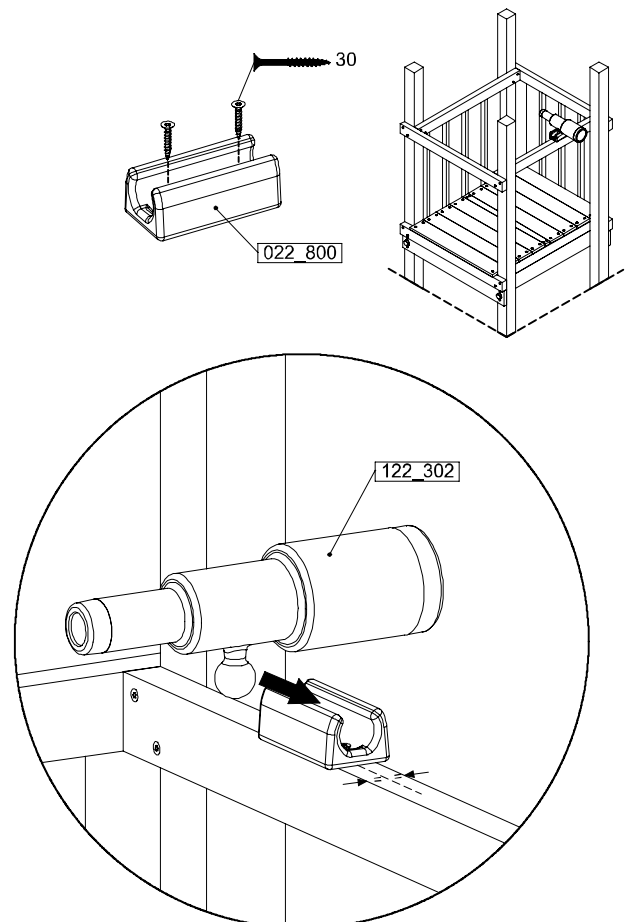
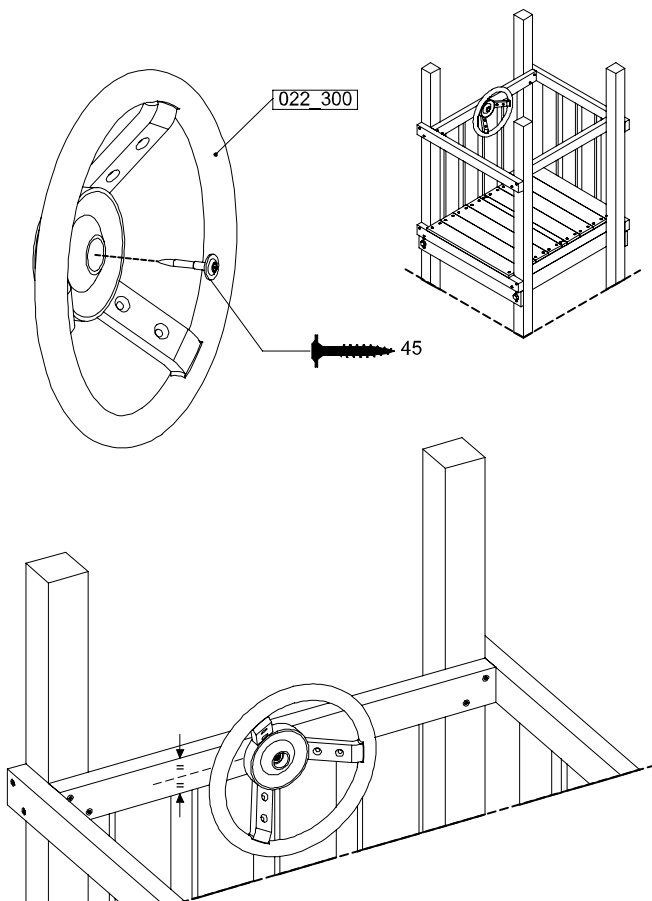
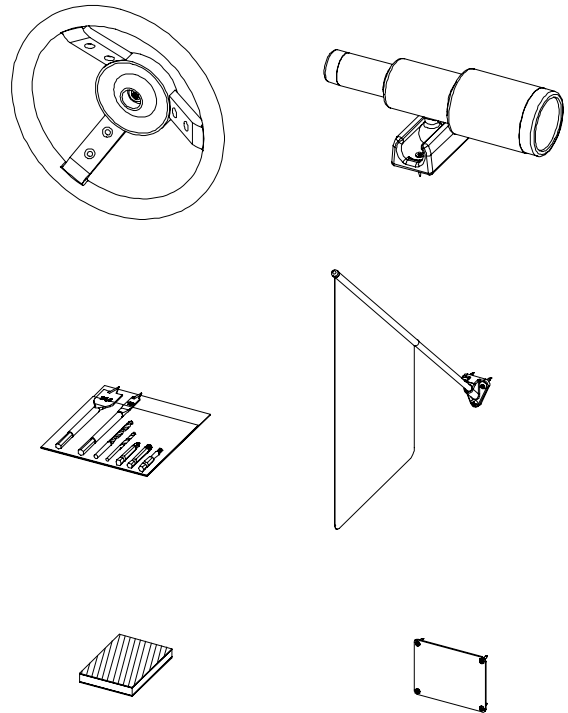


## 7 AC01a: Accessories

( 194\_119 )

	PartNo	PartName	QTY.
Hardware Pack 100_617	001_406	Stealth Screw 8x45	1
	002_041	Dome head screw 4.5 x 20 mm	3
	002_042	Dome head screw 3.5 x 13mm	4
	002_219	Gap Point Screw T25 - 5x30	2
Other	022_300	Steering Wheel	1
	022_800	Rail P/T 105	1
	022_910	Sandpad	1
	103_901	Logo ID Plate	1
	104_107	Tool Set Climbing Units	1
	120_024	Tower Flag	1
	122_302	Telescope	1

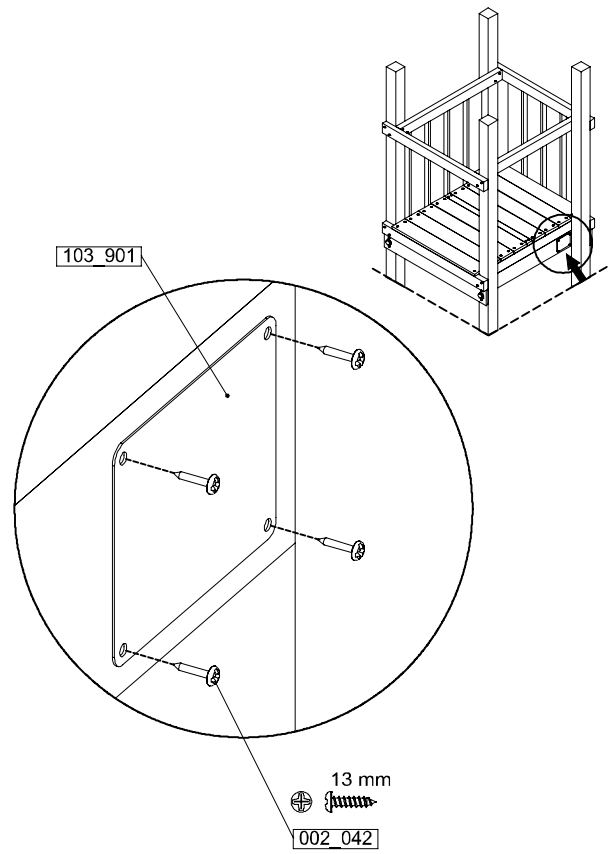
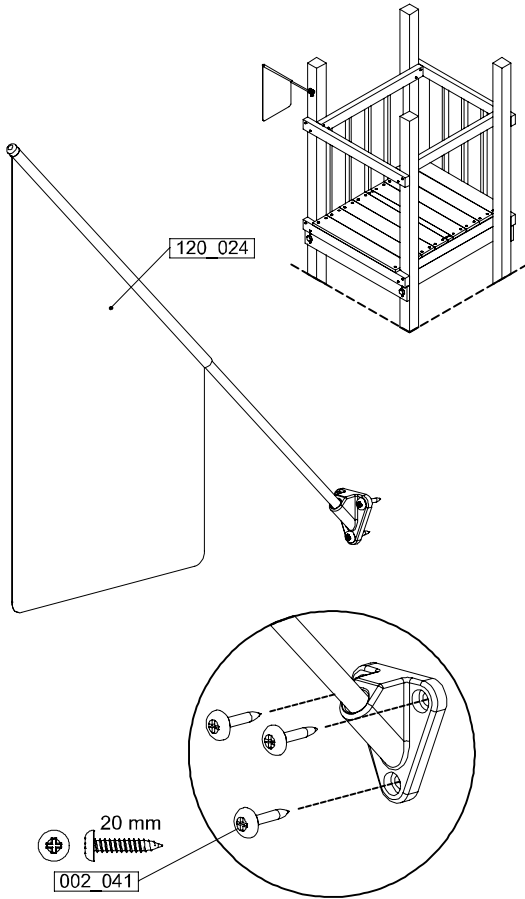
Accessory set - P13 - 24/07/2024 - v5



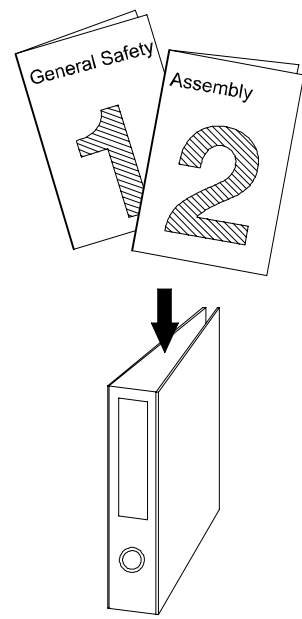
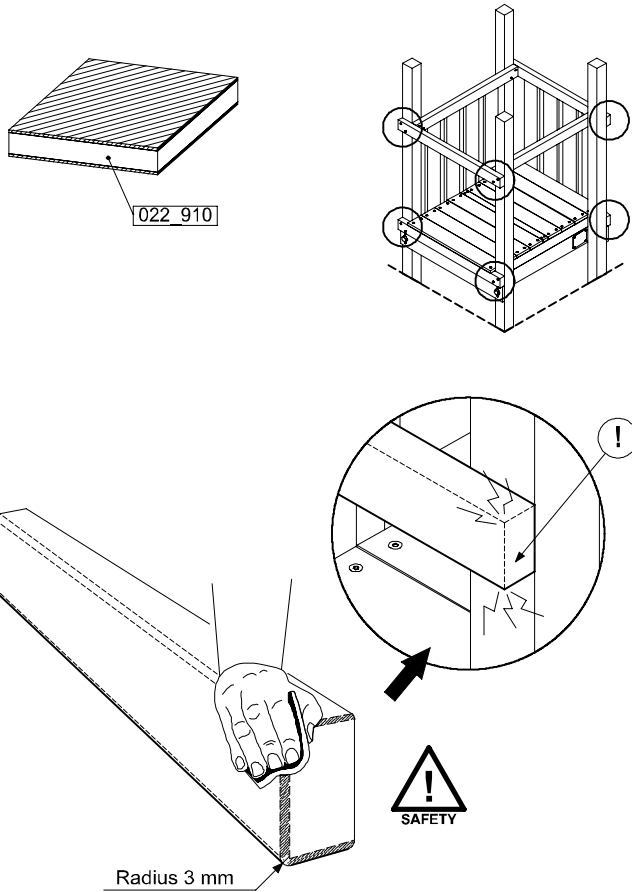
Accessory set - P13 - 24/07/2024 - v5

Manual ID: 040\_034\_2616

7.1



Accessories set - P04 - 24/01/2024 - v5



Accessories set - P05 - 24/01/2024 - v5



# Safe play instructions and safety notices

## Sichere Spielanweisungen und Sicherheitswarnungen

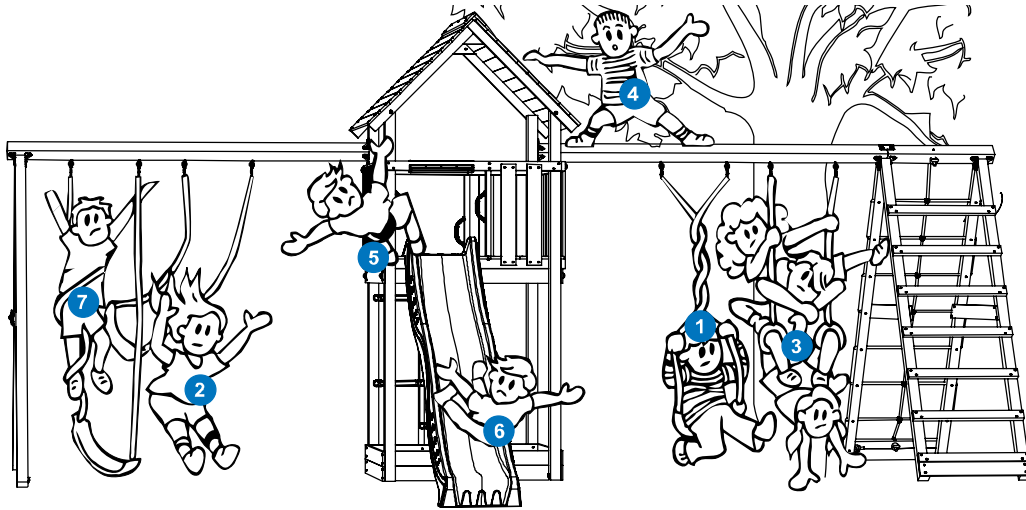
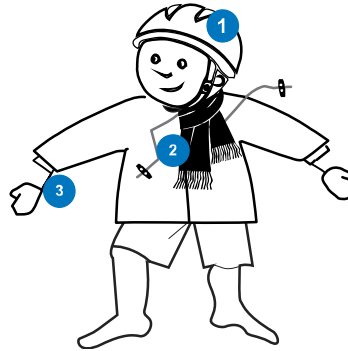
### Consignes de jeu sécurisé et avis de sécurité



1,2,3,4


Part 1

**Maximum number of users**  
**Maximale Benutzerzahl**  
**Le nombre maximal d'utilisateurs**




**Satisfied with the result? We'd love your rating.**  
**Zufrieden mit dem Ergebnis? Teilen Sie Ihre Bewertung.**  
**Satisfait du résultat ? Nous serions ravis de recevoir votre avis.**

Review us on




★★★★★

Scan | Click




Google account required

Review us on



★★★★★

Scan | Click



Trustpilot account required