



**EU Declaration of Conformity
UK Conformity Assessed
EU-Konformitätserklärung
Déclaration EU de conformité**



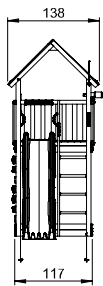
(in accordance with 768/2008/EC)



**Verified safety & Assembly instructions
Geprüfte Sicherheit & Montageanleitung
Sécurité vérifiée et Instructions de montage**

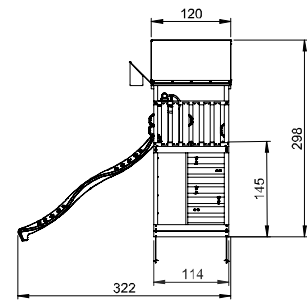
Design Code :

Checkpoint	Description	Compliance
1. Balustrades / Guardrails	Each platform is fully enclosed by balustrades, except at intentional means of access/exit. Height & spacing according to EN 71-8	✓ Pass
2. Swing vs. Slide / Pole Interference	Swing arc (incl. rope loop) does not cross slide entry/exit or Fireman's Pole starting section.	✓ Pass
3. Object Space Separation	No overlap between two object spaces (e.g., climbing wall vs. slide exit).	✓ Pass
4. Object Space vs. Fall Space	Fall zones and free space (impact areas with shock-absorbing surface) are clear of other object spaces. No overlap between fall and use zones.	✓ Pass



Frontview

Topview



Sideview

✓ Safety Checked

Your design is automatically reviewed by our safety rule engine and verified by our output control center before instructions are generated. Your design has passed all safety checks.

1. General chapter presence	All general chapters are present (safety guidelines, customer service information, order overview, timber parts list, slide and hardware registration overview, part en pieces references, registration & warnings, required tools, installation and assembly notices, overall dimensions, assembly sequence).	✓ Pass
2. Sub-assembly Presence	All sub-assemblies are listed in the complete composition and delivery overview.	✓ Pass
3. Sub-assembly listings	All sub-assemblies references are listed in the assembly sequence table	✓ Pass
4. Sub-assembly links	Link references in the assembly sequence table correspond to the correct assembly instruction chapters.	✓ Pass
5. Timber part presence	Each assembly instruction chapter includes a corresponding timber part list..	✓ Pass
6. Timber part counts	Individual timber parts listed in the individual assembly pack overview in the assembly instruction chapter are counted and matched with the overview in the timber part list.	✓ Pass

✓ Manual checked

This assembly manual has been reviewed and verified. All required chapters, sub-assemblies, sequence references, timber lists, and BOMs have been checked and confirmed to be complete and consistent. You can be confident that this manual gives you all the information you need for a safe and complete assembly, provided the instructions are followed carefully.

Applicable EU and UK directives, regulations and standards

General directives

- EU Product Safety Regulation (GPSR 2023/988/EC)
- UK General Product Safety Regulations (GPSRs SI 2005/1803)
- EU Reach Directive 1907/2006
- EU Accessibility Act (EAA 2019/882)
- AfPS GS 2019:01 PAK

Toy directives

- EU Toys Safety Directive (TSD 2009/48/EC)
- UK Toys Safety Regulations 2011 (TSR SI 2011/1881)

Harmonised European and UK toy standard

- Safety of toys (EN 71)
 - Part 1: Mechanical and physical properties (prEN 71-1:2024)
 - Part 2: Flammability (EN 71-2:2020/prA1:2023)
 - Part 3: Migration of certain elements (EN 71-3:2019+A2:2024)
 - Part 8: Activity toys for domestic use (prEN 71-8:2024)

Additional audits

Test reports / Certificate:

TÜV Rheinland Product Safety GmbH

Prüfbericht / Zertifikat:

Am Grauen Stein, 51105 Köln, Germany

Rapport d'essai / certificate:

Zertifikat: R 60010766, R 60024578

Prüfbericht: 21115718_003/004/005, 21140630_001/002

Dekra Automobil GmbH

Handwerkstraße 15, 70565 Stuttgart, Germany

Prüfbericht: 340331500_55245585/13-2, 55247432.14-1, 55247432.14-2

Laboratoire National de métrologie et d'essais (LNE)

29 Avenue Roger Hennequin, 78197 Trappes Cedex, France

Revue documentaire: K080196

Design

Product image:

Produktbild:

Image du produit:

Design Code:



Production date: **12-02-2026**

Declaration

This declaration of conformity is issued solely under the responsibility of the manufacturer, who asserts that the aforementioned products comply with the applicable directives and harmonized standards, provided that installation, assembly, and maintenance are performed in accordance with the instructions supplied.

Diese Konformitätserklärung wird ausschließlich unter der Verantwortung des Herstellers ausgestellt, der erklärt, dass die genannten Produkte den geltenden Richtlinien und harmonisierten Standards entsprechen, vorausgesetzt, dass Installation, Montage und Wartung gemäß den bereitgestellten Anweisungen durchgeführt werden.

Cette déclaration de conformité est émise uniquement sous la responsabilité du fabricant, qui affirme que les produits mentionnés ci-dessus sont conformes aux directives applicables et aux normes harmonisées, à condition que l'installation, le montage et l'entretien soient réalisés conformément aux instructions fournies.

Manufacturer details

Jungle Gym B.V.

P.O. Box 75083

1070 AB Amsterdam

Netherlands

www.junglegym.com

info@junglegym.com


+31 85 44 44 100

Jungle Gym
BACKYARD PLAYGROUNDS

since 1988

Amsterdam, January 13th, 2026

On behalf of the manufacturer
Jungle Gym B.V.


Paul Schmit
CEO