

Assembly instructions

Activity toys to be assembled by adults for outdoor domestic use.

Montageanleitung

Aktivitätsspielzeug zum Selbstaufbau für den häuslichen Außenbereich.

Instructions de montage

Jouet d'activité à assembler pour une utilisation familial en extérieur

2

PART

Top Rated
Product



4.5



verified by Trustindex

Article Number : 211036
Product Name : Jungle Lodge 2.1
Audit ID : 801_040



Jungle Gym

BACKYARD PLAYGROUNDS

since 1988

Assembly
time ca.



hours
by 2 adults



EN. Warning! Only for domestic use. Maximum number of users is 6. **DE.** Achtung! Nur für den Hausgebrauch. Maximale Benutzerzahl: 7 **FR.** Attention! Réserve à un usage familial. Le nombre maximal d'utilisateurs est de 6. **BG.** Внимание! За употреба само в домашни условия. Максималният брой потребители е 6. **CS.** Varování! Jen pro domácí použití. Maximální počet uživatelů je 7 **DA.** Advarsler! Kun til privat brug. Maksimum antal brugere er 6. **EL.** Προειδοποίηση! Μόνο για οικιακή χρήση. Μέγιστος αριθμός χρηστών 6. **ES.** Advertencias! Sólo para uso doméstico. Número máximo de usuarios: 6. **ET.** Hoiatused! Ainult koduseks kasutamiseks. Maksimaalne kasutajate arv on 6. **FI.** Varoitukset! Ainoastaan kotikäyttöön. Käyttäjää yhteensä enintään 6. **HR.** Upozorenja! Samo za uporabu u domu. Maksimalan broj korisnika je 6. **HU.** Figyelmeztetések! Csak otthoni használatra! A használók max. száma: 6. **IS.** Varnaðarorð! Eingöngu fyrir einkanotkun í heimahúsum og á einkalóðum. Hámarksfjöldi notenda er 6. **IT.** Avvertenze! Solo per uso domestico. Massimo numero di utenti è 6. **LT.** Dėmesio! Tik buitiniam naudojimui. Maksimalus naudotojų skaičius 6. **LV.** Brīdinājumi. Izmantot tikai mājās. Maksimālais lietotāju skaits ir 6. **NL.** Waarschuwing! Uitsluitend voor huishoudelijk gebruik. Het maximale aantal gebruikers is 6. **NO.** Advarsler! Kun for privat bruk. Maksimalt antall brukere er 6. **PL.** Ostrzeżenia! Wyłącznie do użytku domowego. Maksymalna liczba użytkowników to 6. **PT.** Avisos! Apenas para uso doméstico. O número máximo de utilizadores é 6. **RO.** Avertisment! Numai pentru uz domestic. Numărul maxim de utilizatori este 6. **SK.** Upozornenia! Iba na domáce použitie. Maximálne množstvo osôb je 6. **SL.** Opozorila! Samo za domačo uporabo. Maksimalno število uporabnikov je 6. **SV.** Varningar! Endast för hemmabruk. Det maximala antalet användare är 6.



Product Name : Jungle Lodge 2.1 © 2026 Jungle Gym B.V. Copyrighted material. All rights reserved. Single-owner licensed. No part of this document may be reproduced or utilized otherwise in any form or by any means, electronic or mechanical, including photocopying, or posting on the internet or an intranet, copying and networking prohibited

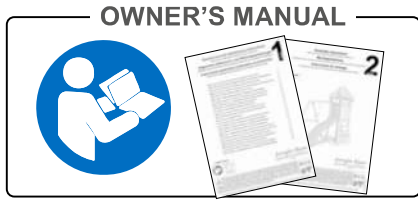
040_020_2417 P1 20260220

Manual ID: 040_020_2417

00_assembly_instructions



Safety symbols Sicherheitssymbole Symboles de sécurité



Important: Before assembling and using this product, please carefully read the provided Use- and maintenance instructions (Part 1) and assembly instructions (Part 2) thoroughly.

Wichtig: Lesen Sie vor der Montage und Benutzung dieses Produkts die beiliegende Gebrauchs- und Wartungsanweisungen (Teil 1) und die Montageanleitung (Teil 2) sorgfältig durch.

Important: Avant de monter et d'utiliser ce produit, veuillez lire attentivement. Conseils d'utilisation et d'entretien (Partie 1) et les instructions de montage (Partie 2).



Mandatory provisions
Gebotsbestimmungen
Dispositions obligatoires



1-5
Warnings!
Achtung!
Attention!



1-12
Potential hazards
Potenzielle Gefahren
Dangers potentiels



1-7
Installation and safety notices
Installations- und Sicherheitshinweise
Instructions d'installation et de sécurité



1-14
Assembly and safety notices
Montage- und Sicherheitshinweise
Instructions de montage et de sécurité



1-7
Safe play instructions and safety notices
Sichere Spielanweisungen und Sicherheitswarnungen
Consignes de jeu sécurisé et avis de sécurité



Customer service Kundendienst Service client



 [Frequently Asked Questions](#)

 [Häufig gestellte Fragen](#)

 [Foire aux questions](#)

 [Veelgestelde Vragen](#)



 EU +31 85 44 44 102 *

info@junglegym.com

www.junglegym.com

[instagram.com/junglegymofficial](https://www.instagram.com/junglegymofficial)

* International phone charges may apply.

Availability:

Monday – Thursday:

CET 09:00 AM – 04:00 PM

Friday:

CET 09:00 AM – 01:00 PM



Preparation Vorbereitung Préparation



Overview of the total delivery scope
Übersicht über den gesamten Lieferumfang
Aperçu de l'ensemble de la portée de livraison



8



OR



To avoid danger of suffocation, please keep the bag away from children.
 Um Erstickungsgefahr zu vermeiden, halten Sie die Tüte bitte von Kindern fern.
 Pour éviter tout risque d'étouffement, gardez le sac hors de portée des enfants.

Choking hazard – may not be suitable for children under 3 years.
 Erstickungsgefahr – möglicherweise nicht geeignet für Kinder unter 3 Jahren.
 Risque d'étouffement – peut ne pas convenir aux enfants de moins de 3 ans.

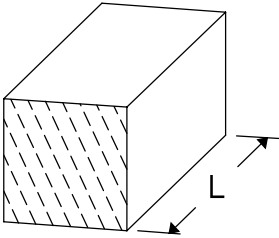
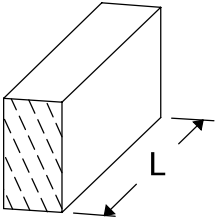
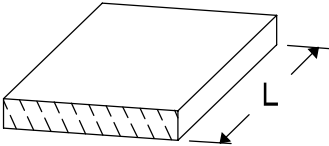


#	Print ID	Description	FFC ID
1	401_080	AK Tower medium high platform (Assembly Kit 115145)	701_040
1	334_x00	Wavy Star Slide XXL	334_x00

Timber parts list
Stückliste Holzteile
Liste des pièces en bois

L

601_042 Timber pack Jungle Lodge 2.1

<p>A</p> 	<p>A240</p>	<p>239cm - 240cm</p>	<p>4x</p>
<p>C</p> 	<p>C206 C114 C96 C90</p>	<p>205cm - 206cm 113cm - 114cm 95cm - 96cm 89cm - 90cm</p>	<p>2x 9x 2x 2x</p>
<p>D</p> 	<p>D120 D114 D100 D65</p>	<p>119cm - 120cm 113cm - 114cm 99cm - 100cm 64cm - 65cm</p>	<p>3x 12x 14x 23x</p>

21-Oct-2021

Slide registration
Rutschenregistrierung
Enregistrement du toboggan

Article №: + Color ID: + LOT: ID:



- = 100
- = 200
- = 300
- = 400
- = 500
- = 600

Example

	№:				Color ID:			LOT ID:					
	2	3	2	4	2	0	0	2	2	0	2	2	3
1.													
2.													
3.													
4.													

Hardware kit, pack and/or accessory registration
Registrierung von Hardware-Kits, Paketen und/oder Zubehör
Enregistrement du kit matériel, du pack et/ou des accessoires

Article №: + LOT ID:



OR

LOT ID:



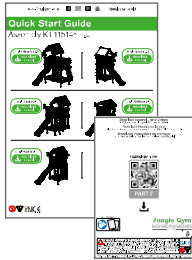
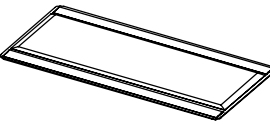
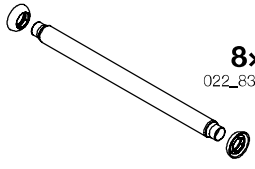
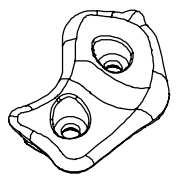

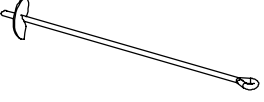


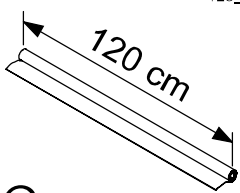
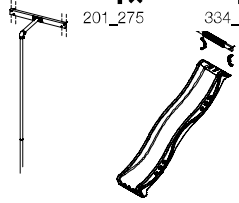
Example

	№:						LOT:			
	1	2	3	4	5	6	2	7	1	1
1.										
2.										
3.										
4.										

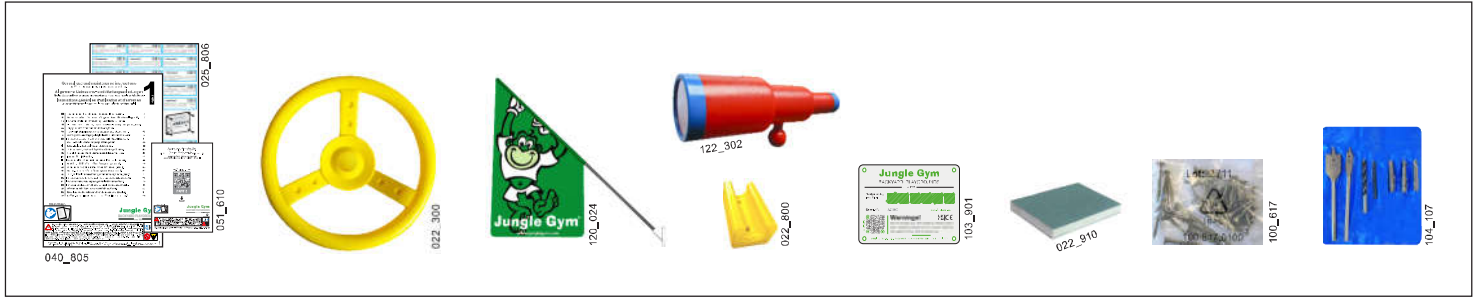
Example

LOT:	
AP Manual & Accessory set	
	AC
	1x
№ 194_119	
LOT: 2 7 1 1	

Hardware package and accessory registration
Hardwarebeutel- und Zubehörregistrierung
Enregistrement du sachet de quincaillerie et des accessoires

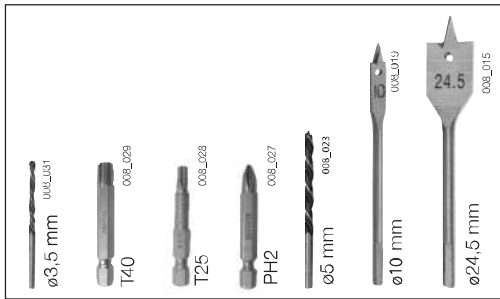
 <p>1x 040_910</p> <p>1x 051_610</p>	 <p>1x 123_200</p>	 <p>4x 005_03x</p> <p>8x 022_835</p>	 <p>5x 005_50x</p>	 <p>3x 120_102</p> <p>2x 022_320</p> <p>4x 001_404</p>
 <p>2x 007_001</p>	 <p>1x 100_030</p> <p>1x 104_107</p> <p>008_077</p>	 <p>1x 120_243</p> <p>8x 120_005</p>	 <p>1x 123_222</p> <p>Canvas</p>	 <p>1x 201_275</p> <p>1x 334_x00</p> <p>FMP 7 Slide</p>

Standard Scope of Delivery
Standard-Lieferumfang
Contenu Standard de la Livraison



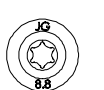


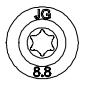










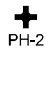


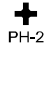















194_119

Overview bit and drill bit references
Bit-Übersicht und Bohrer-Referenzen
Aperçu des embouts et références de forets



Fastening hardware & component references
Befestigungsmaterial und Komponentenreferenzen
Références de fixation et de composants

		#	L
			ø 8.0 mm 001_404 30 mm 001_406 45 mm 001_411 60 mm 001_417 80 mm 001_422 137 mm
			M8 001_102 30 mm
			ø 2.0 mm 000_101 20 mm
			ø 6.3 mm 002_036 16 mm
			ø 4.5 mm 002_041 20 mm
			ø 3.5 mm 002_042 13 mm
			ø 3.9 mm 002_301 40 mm

		#	L
			ø 5.0 mm 002_308 20 mm 002_219 30 mm 002_220 45 mm 002_223 80 mm
			M8 004_050 22mm
			M8 003_010
			M6 003_034
			022_845 Yellow 022_846 Blue 022_847 Green 022_848 Red
			023_031 White
			022_844
			022_314
			120_005 White



Registration & warnings

Registrierung & Warnhinweise

Enregistrement & avertissements

Climbing frame identification

Klettergerüst-Identifizierung

Identification de l'aire de jeux



Use warnings

Gebrauchswarnungen

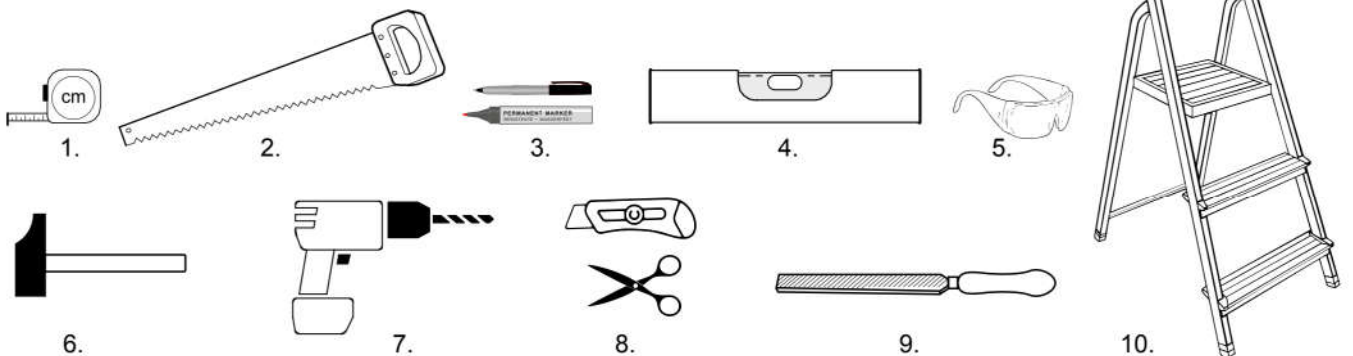
Avertissements d'usage



Required tools

Benötigtes Werkzeug

Outils nécessaires





Installation and safety notices

Installations- und Sicherheitshinweise

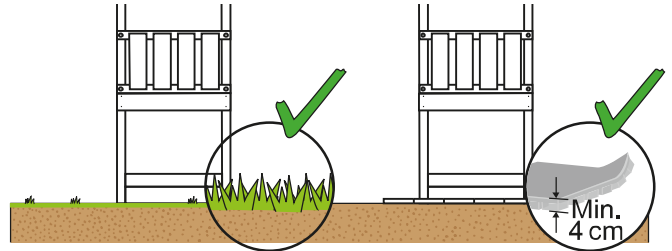
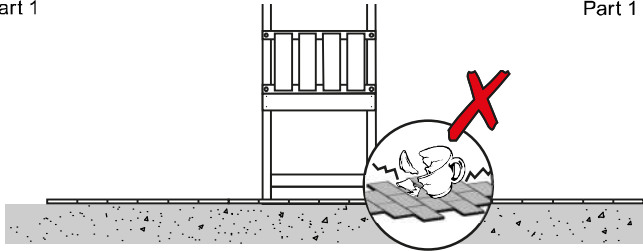
Instructions d'installation et de sécurité



Part 1



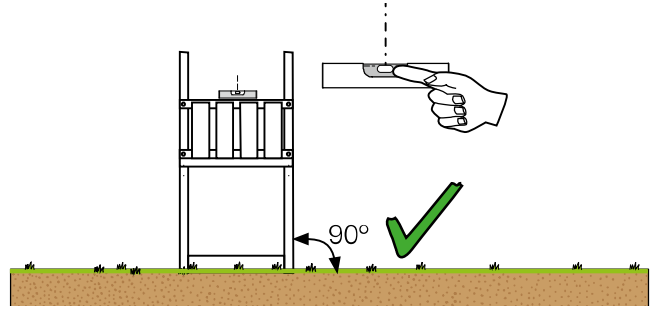
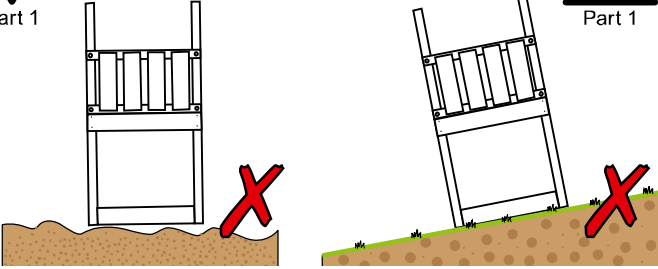
Part 1



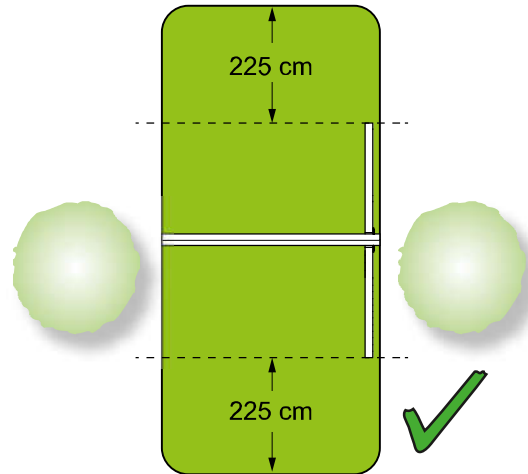
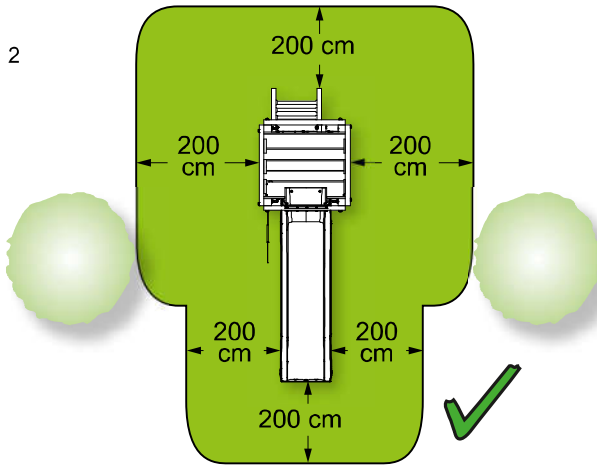
Part 1



Part 1



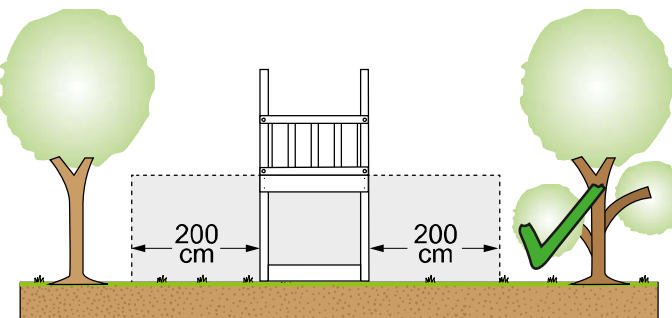
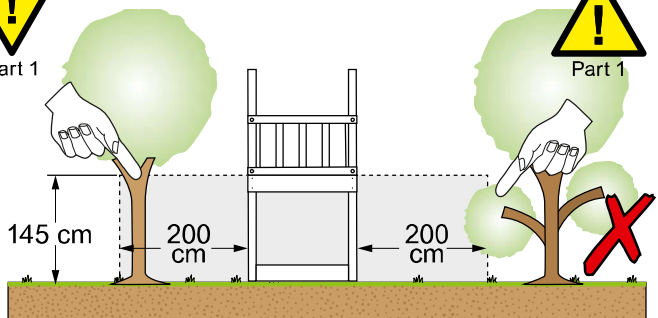
Part 1

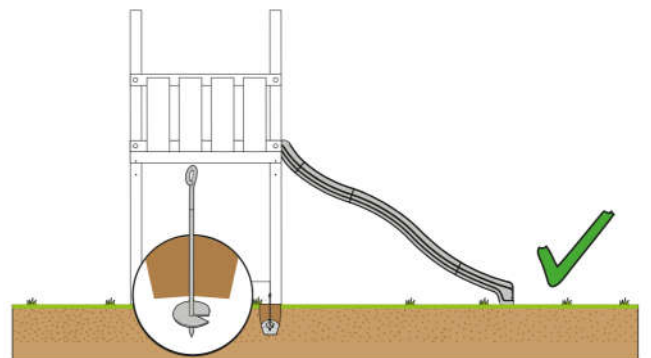
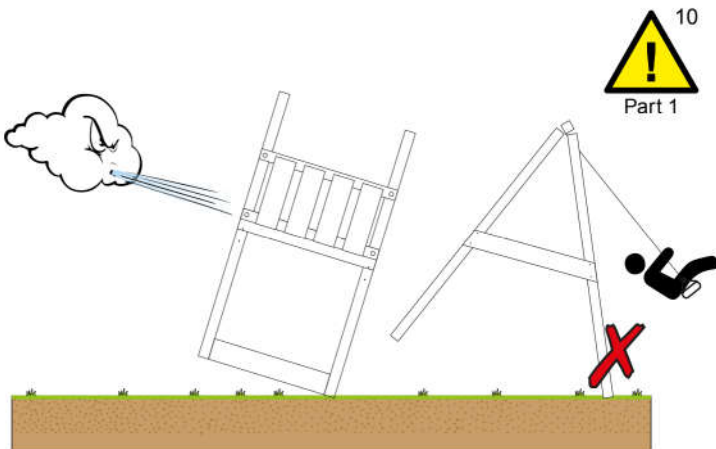
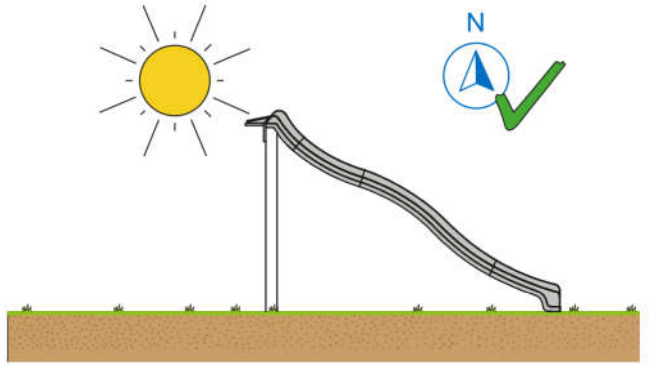
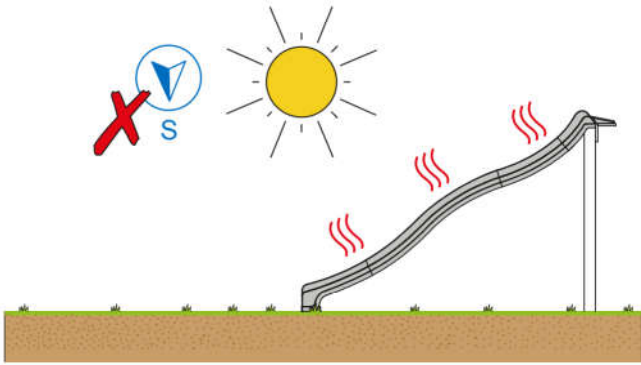
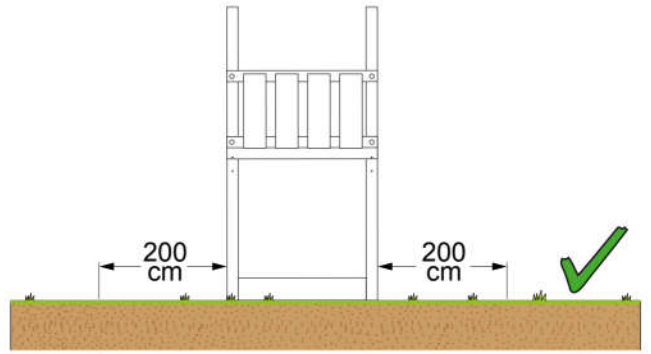
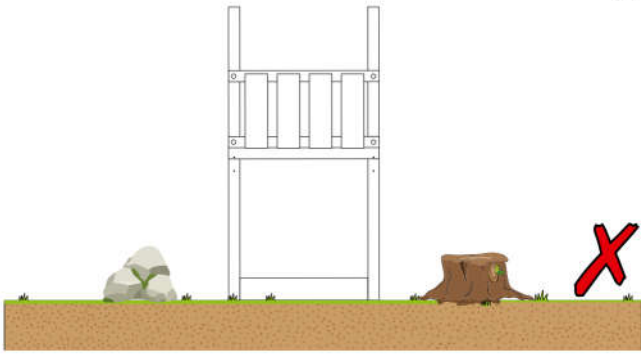


Part 1



Part 1

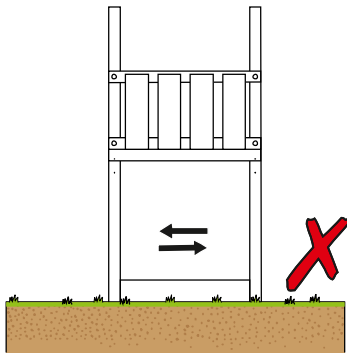




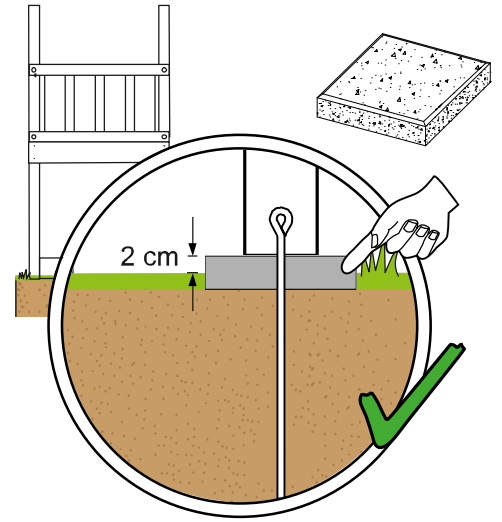
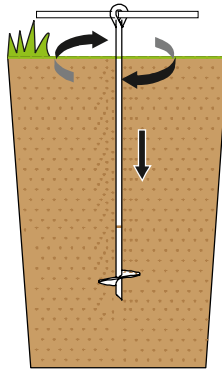
Manual ID: 040_020_2417



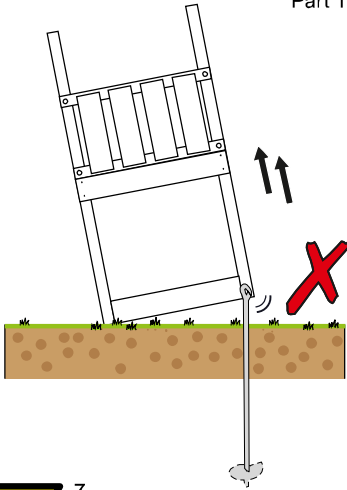
Part 1



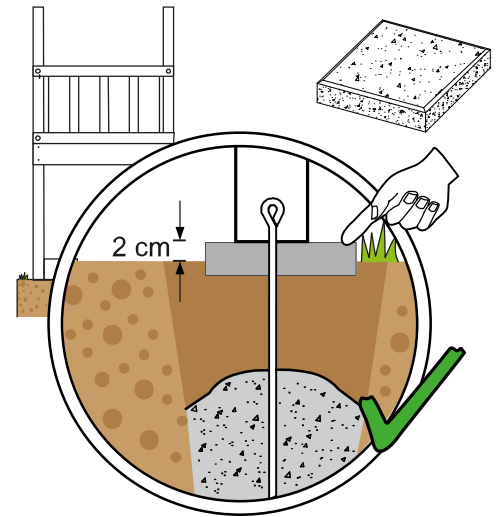
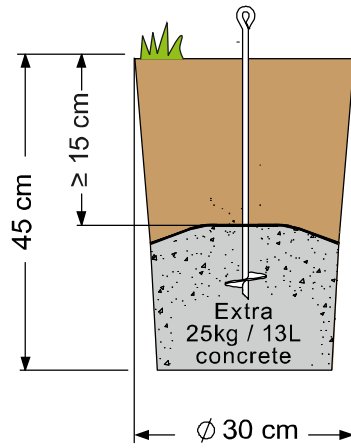
Part 1



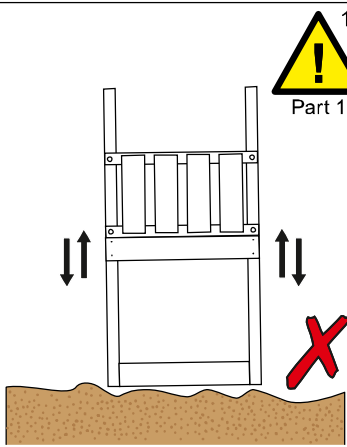
Part 1



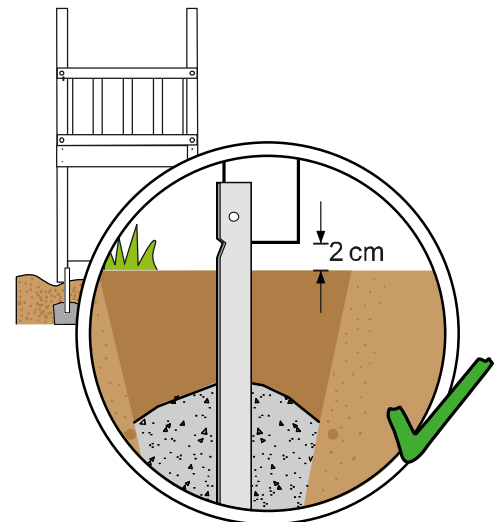
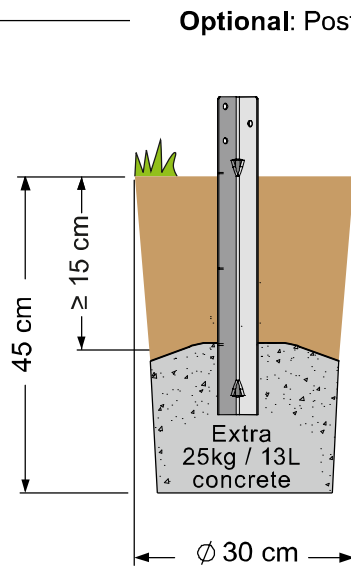
Part 1



Part 1



Part 1



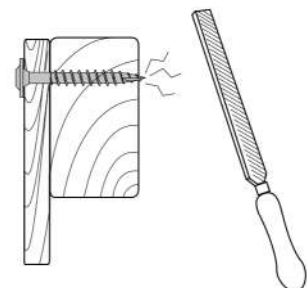
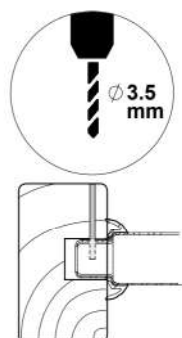
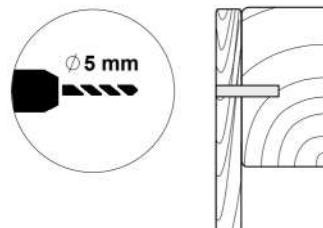
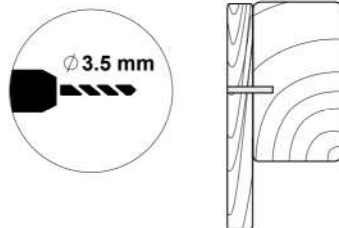
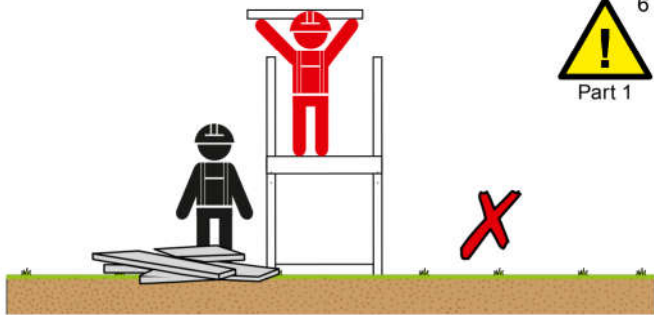
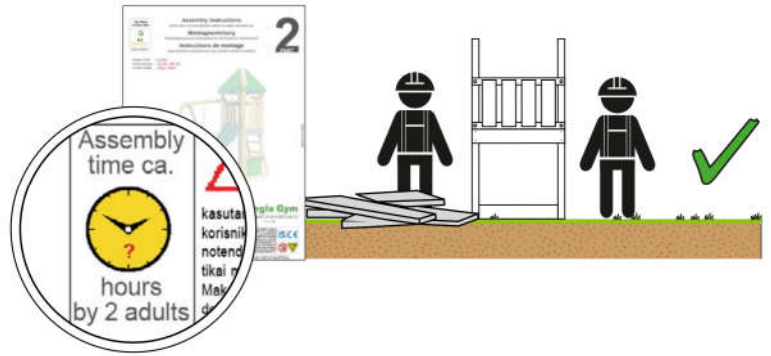
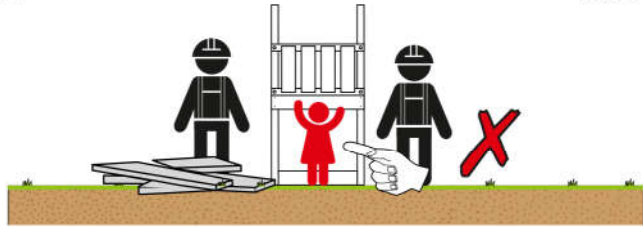
Optional: Post anchors

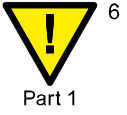


Assembly and safety notices

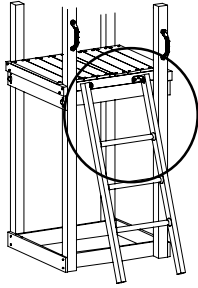
Montage- und Sicherheitshinweise

Instructions de montage et de sécurité

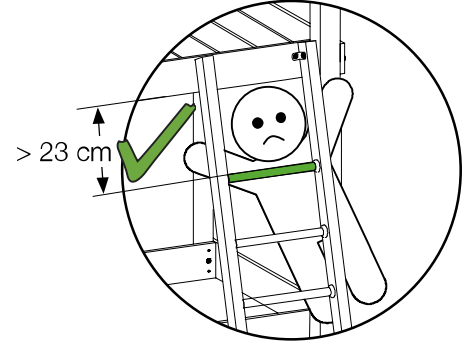
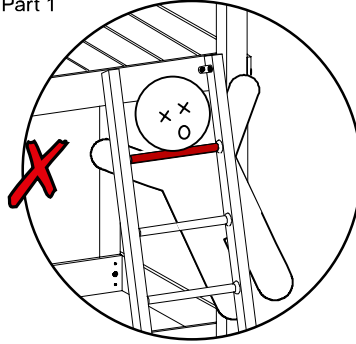




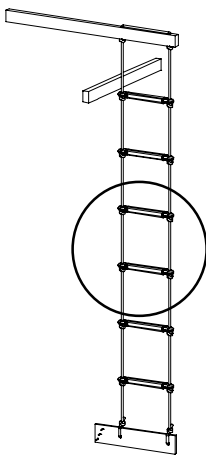
Part 1



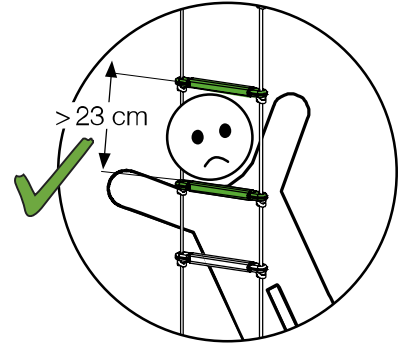
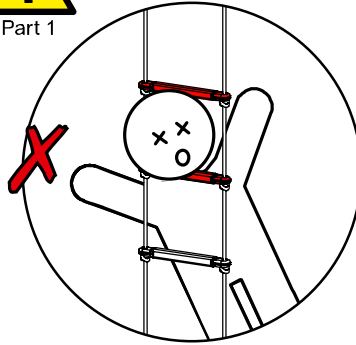
Part 1



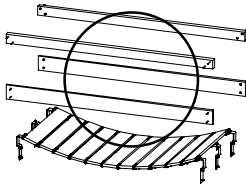
Part 1



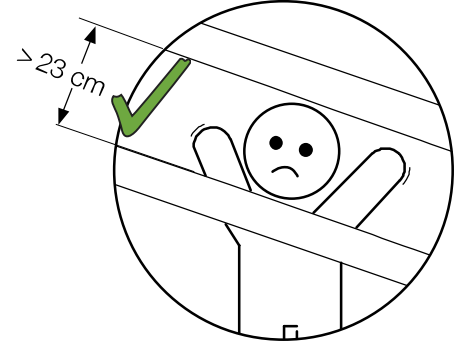
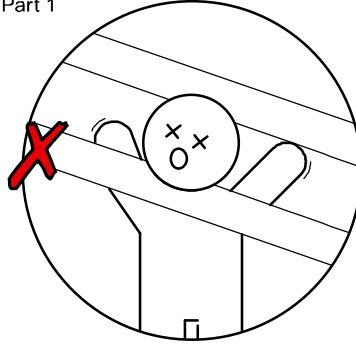
Part 1



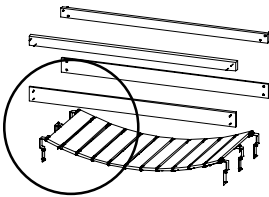
Part 1



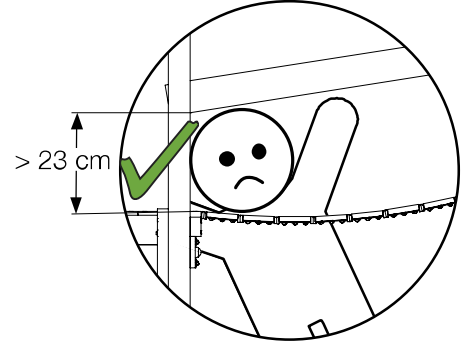
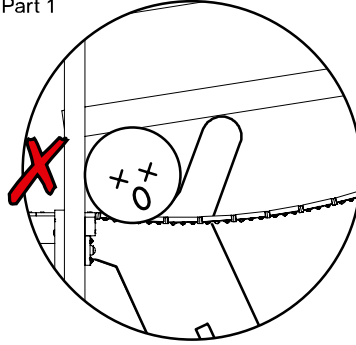
Part 1



Part 1



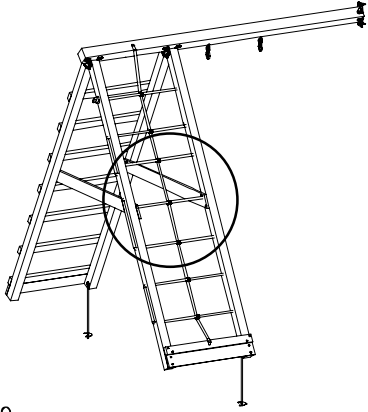
Part 1





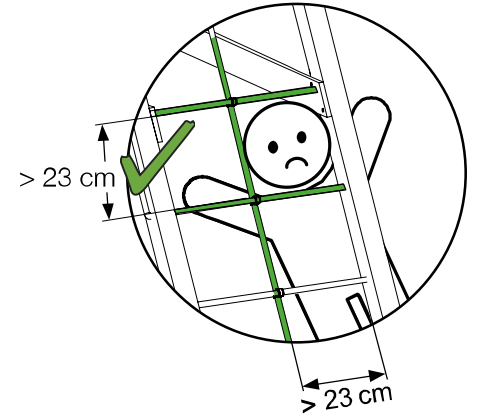
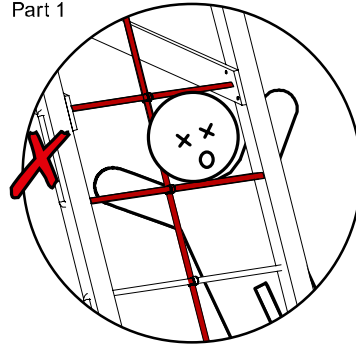
8&9

Part 1



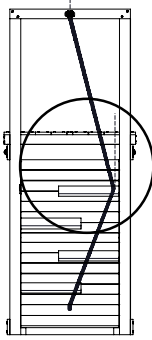
9

Part 1



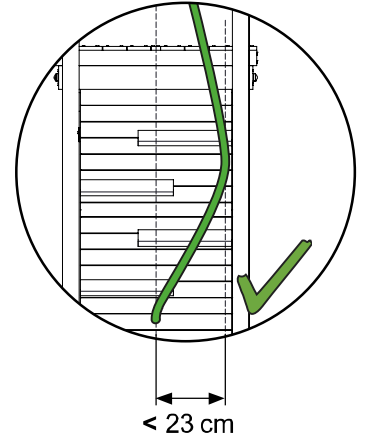
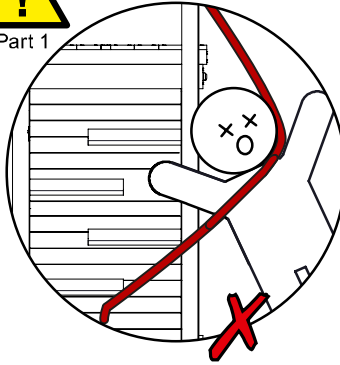
8&9

Part 1



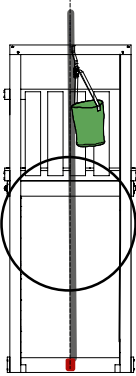
9

Part 1



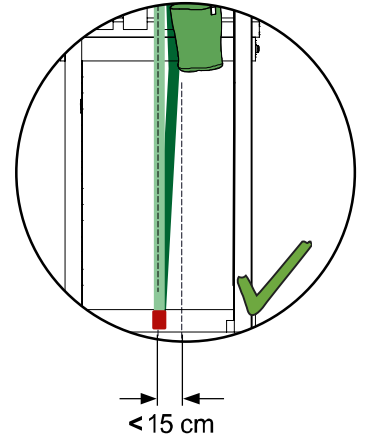
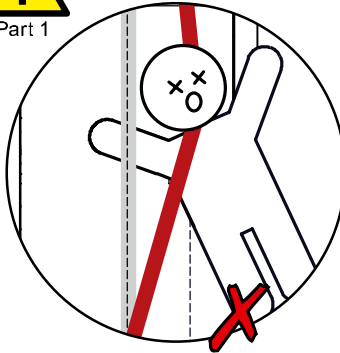
8&9

Part 1



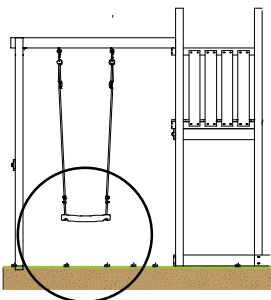
9

Part 1



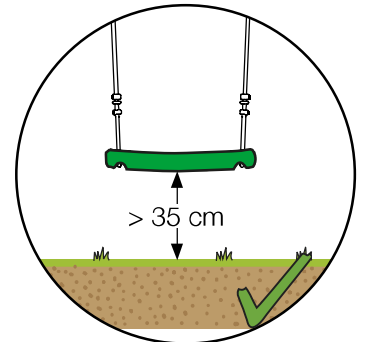
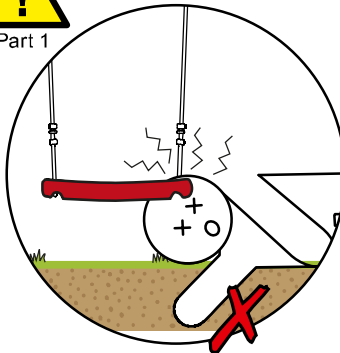
8&9

Part 1



3

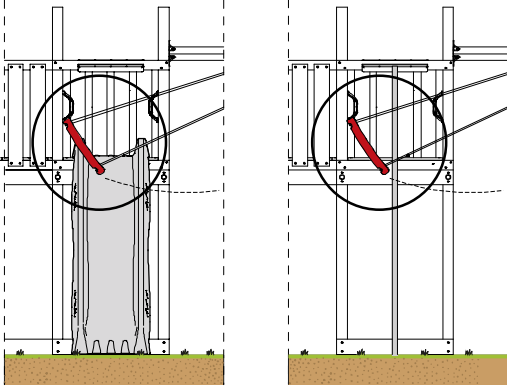
Part 1





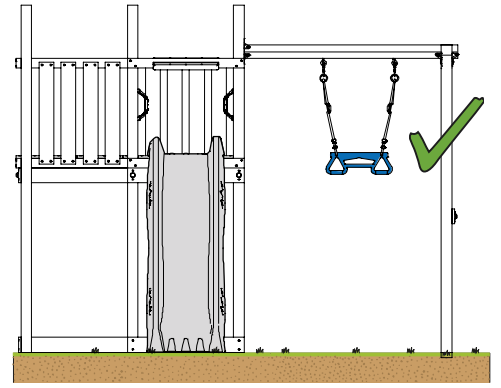
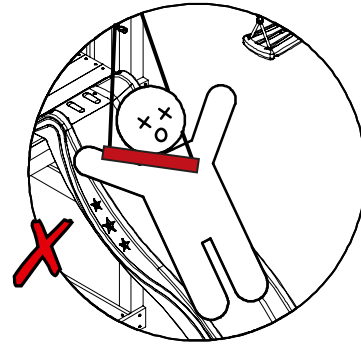
10

Part 1



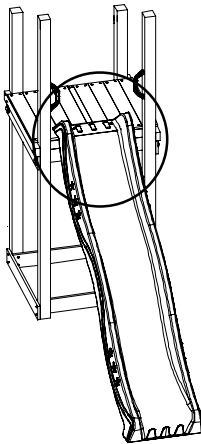
4&9

Part 1



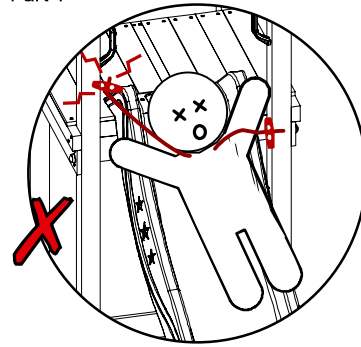
10

Part 1



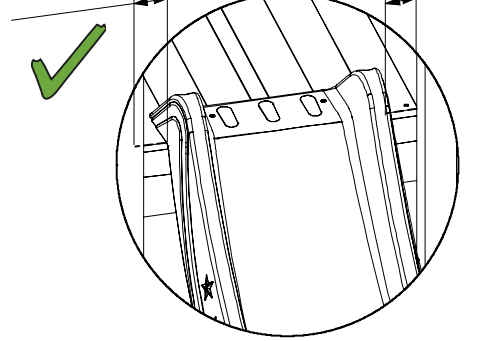
4&9

Part 1



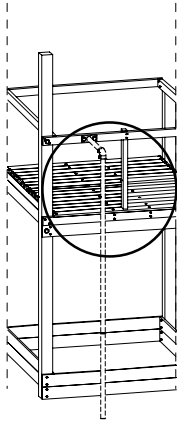
min. 26 mm
max. 75 mm

min. 26 mm
max. 75 mm



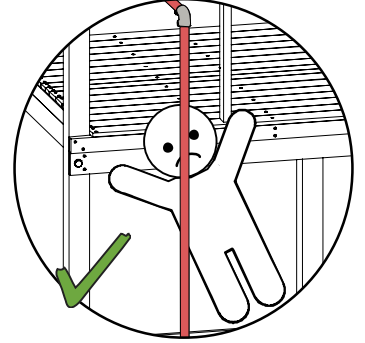
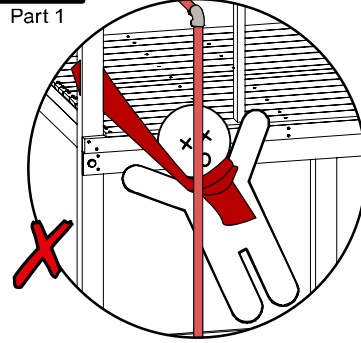
10

Part 1



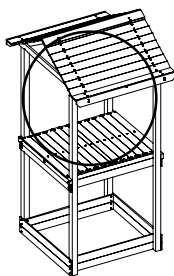
4&9

Part 1



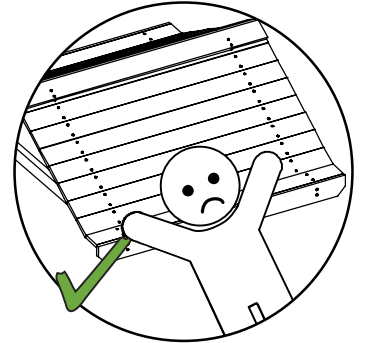
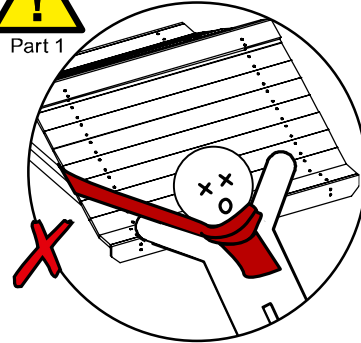
13

Part 1



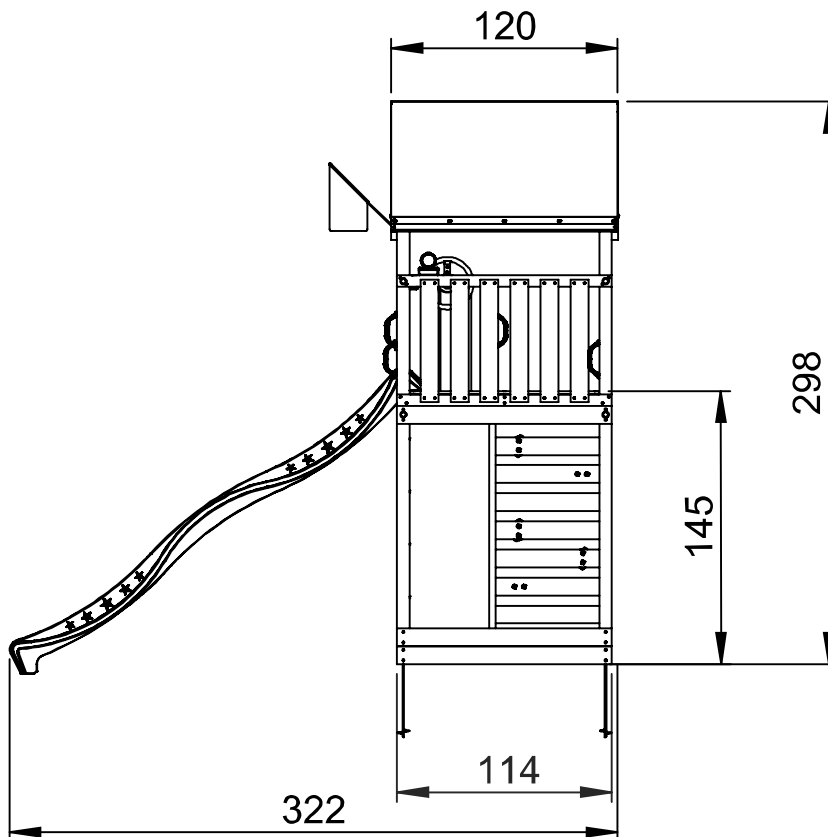
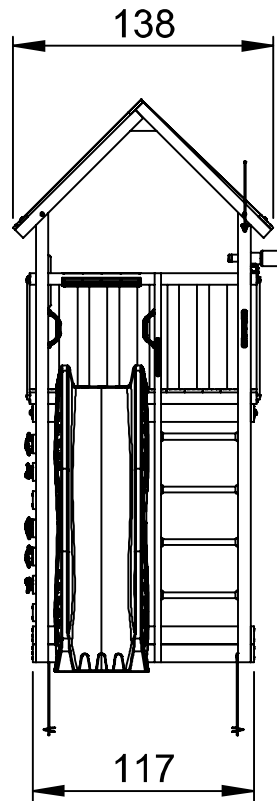
4&9

Part 1



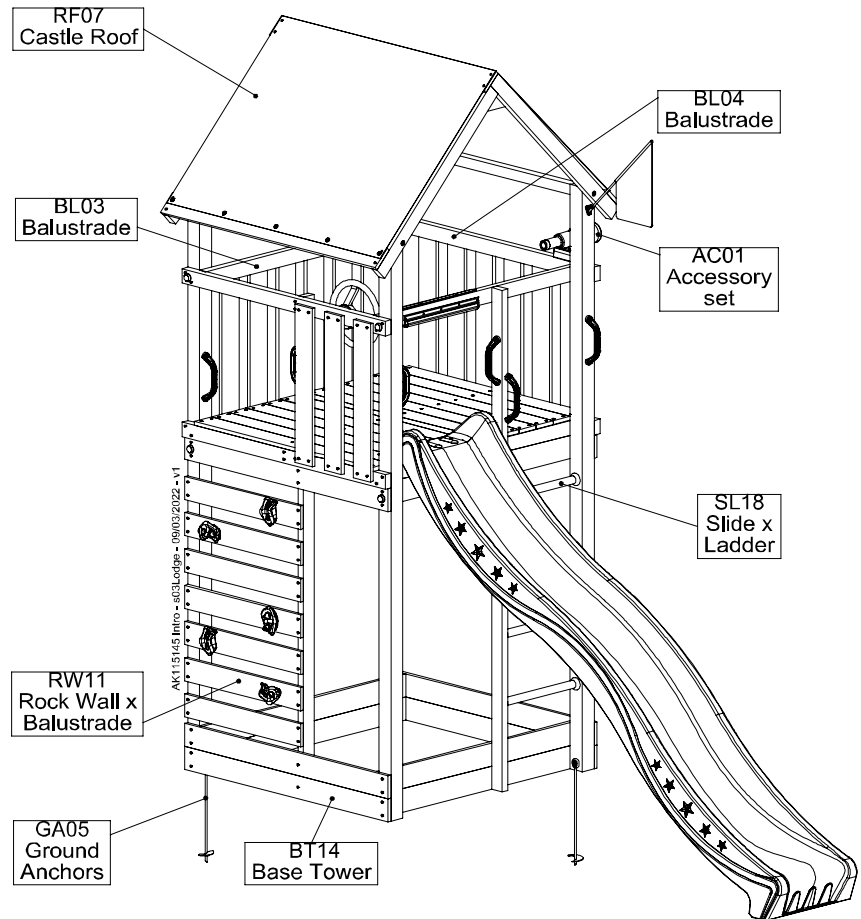
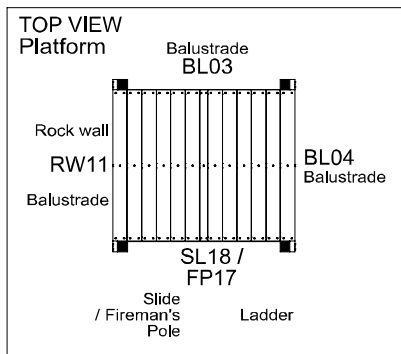


Dimensions Abmessungen Dimensions





Assembly sequence Montagereihenfolge Séquence d'assemblage



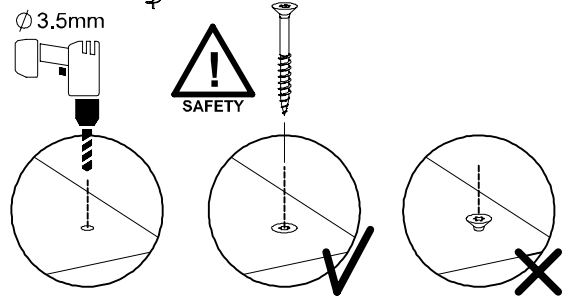
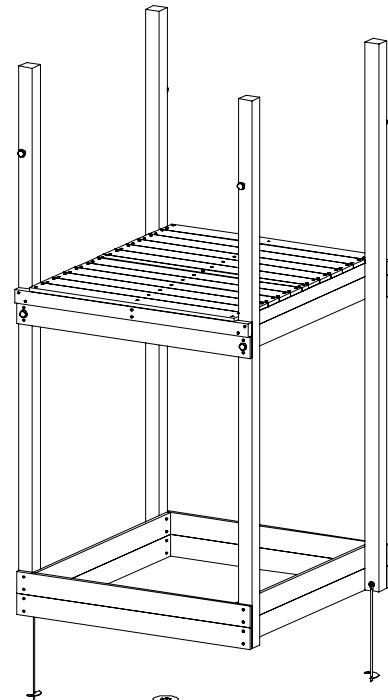
07 Base Tower

BT14

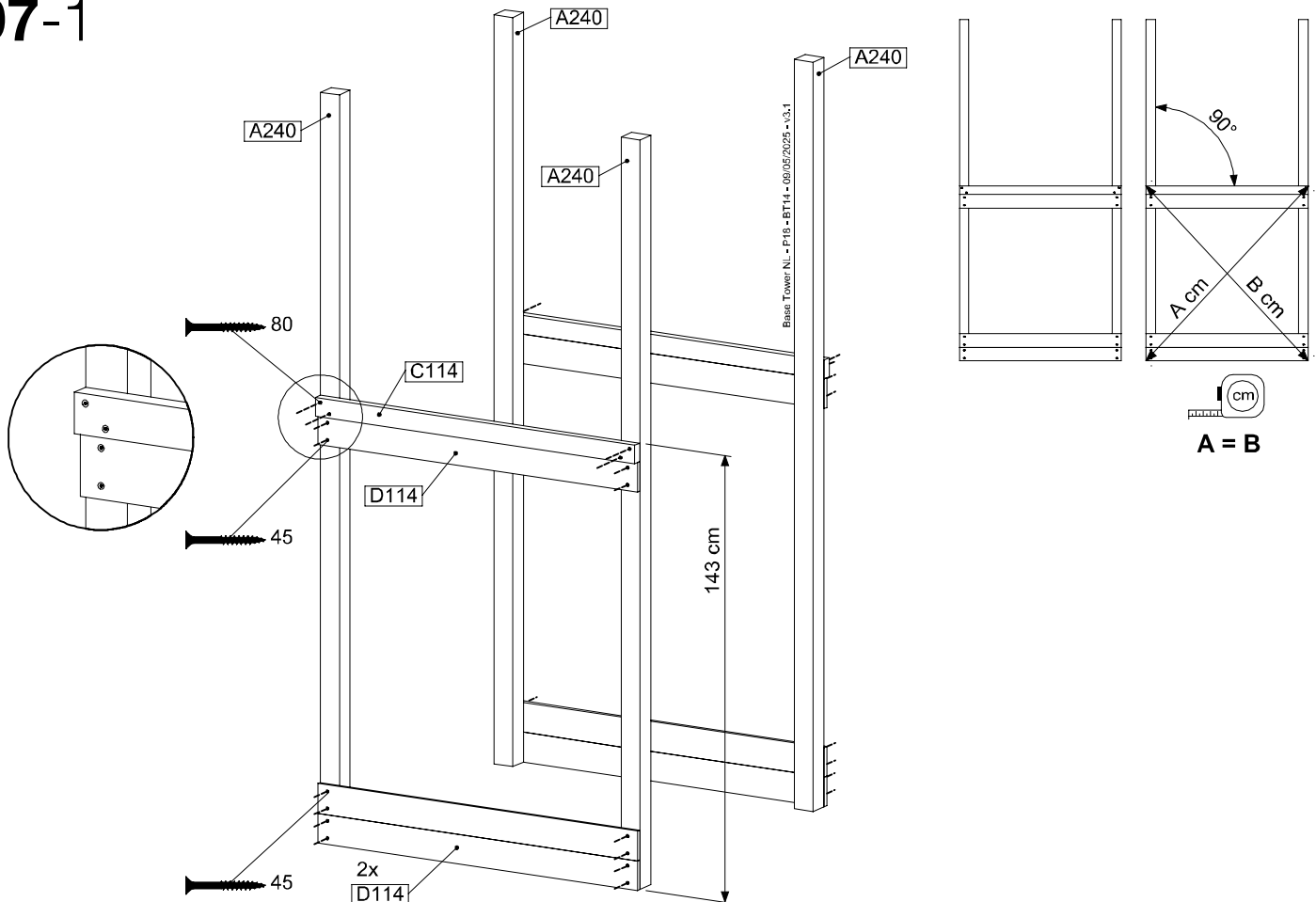
Assembly Pack: 194_300

	PartNo	PartName	QTY.
Hardware + Parts	001_406	Stealth Screw 8x45	6
	001_417	Stealth Screw 8x80	4
	002_220	Gap Point Screw T25 - 5x45	118
	002_223	Gap Point Screw T25 - 5x80	20
	022_31x	bpc-base version 3	8
	022_84x	bpc cover	8
	007_001	Ground-anchor	2
Timber	A240	Post ca.70x70 L2400	4
	C114	Beam 1140 mm	5
	D100	Board 1000 mm	14
	D114	Board 1140 mm	12

Base Tower NL-F19-BT14-09/05/2025-v3.1

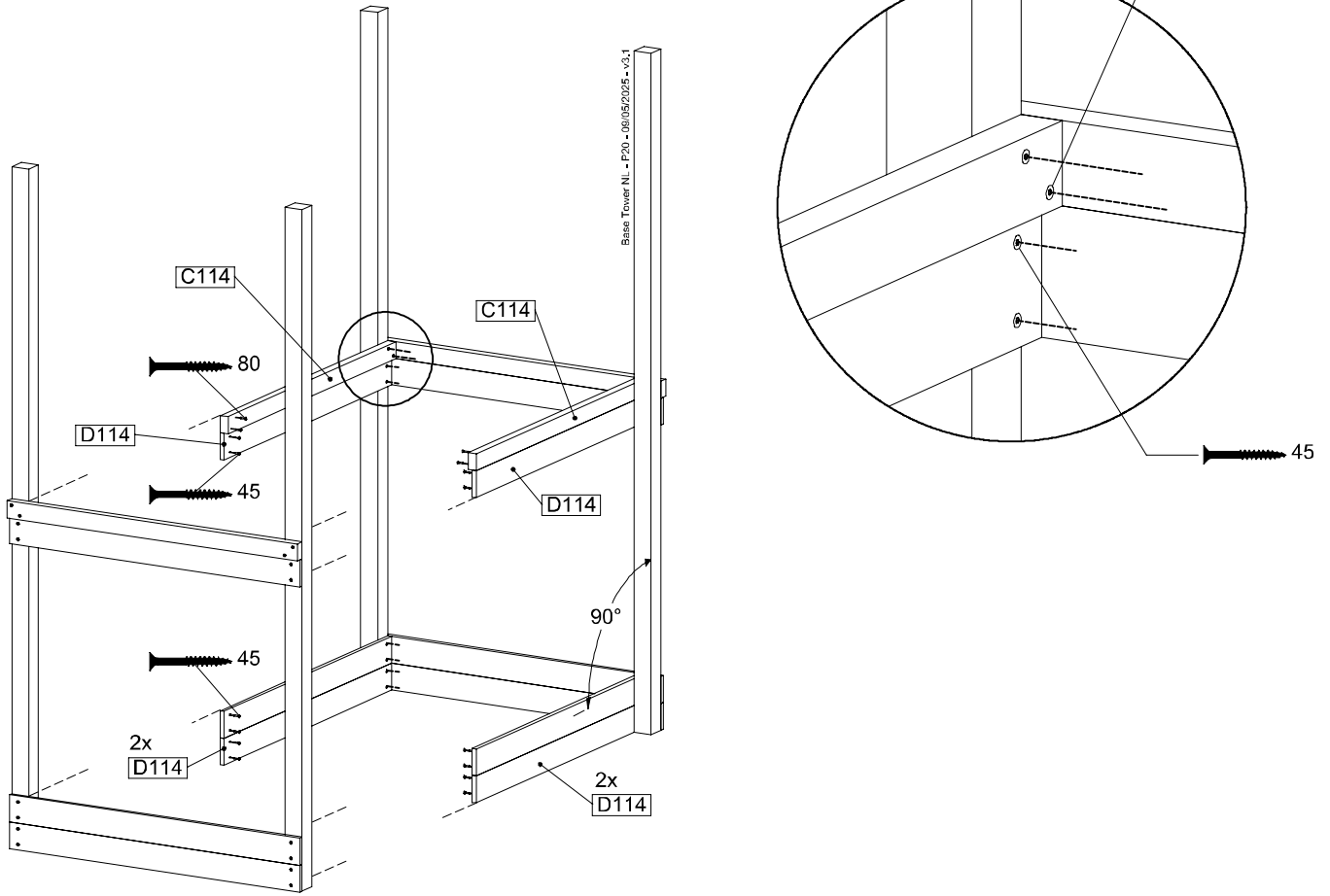


07-1

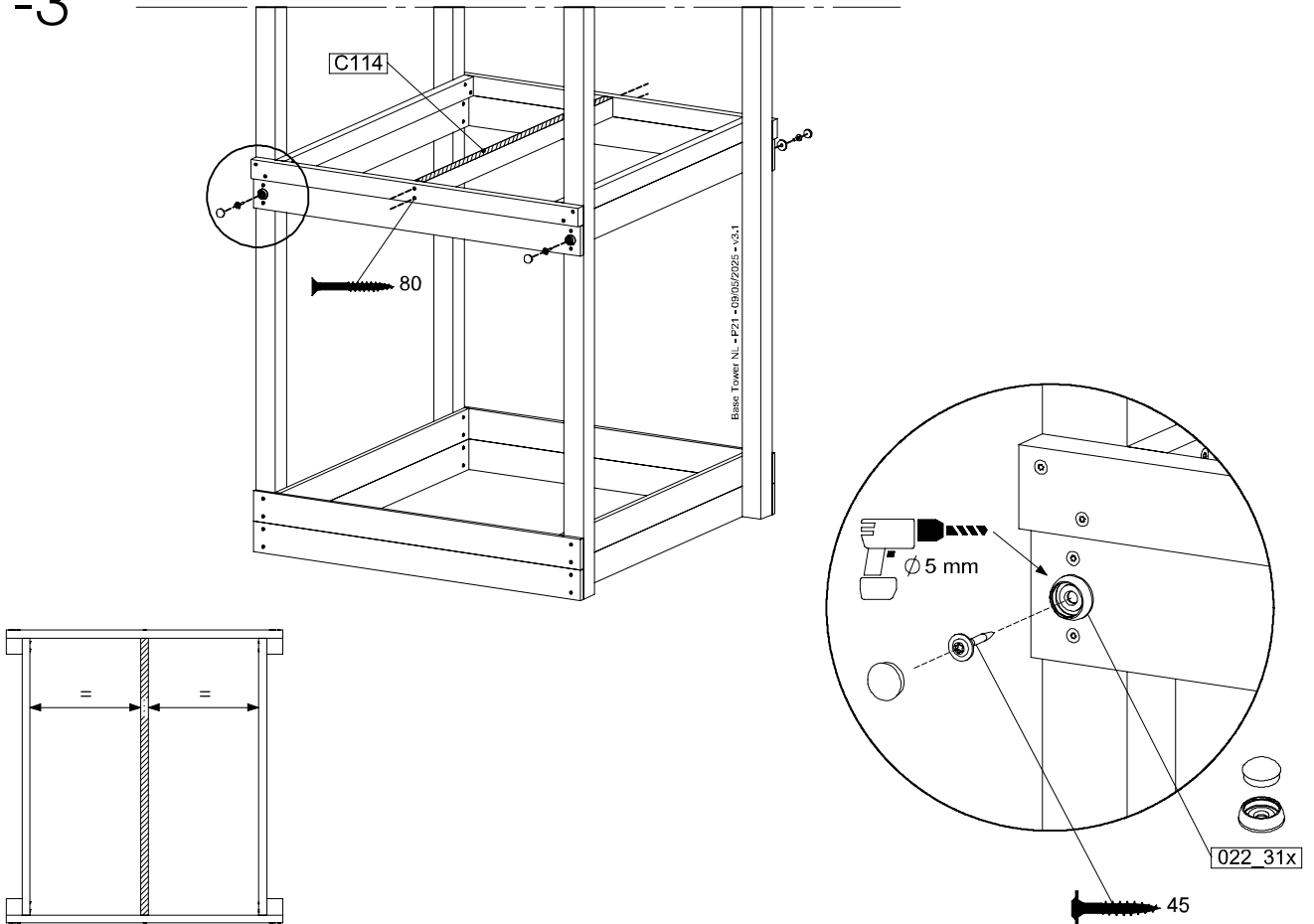


Manual ID: 046_002_2-17

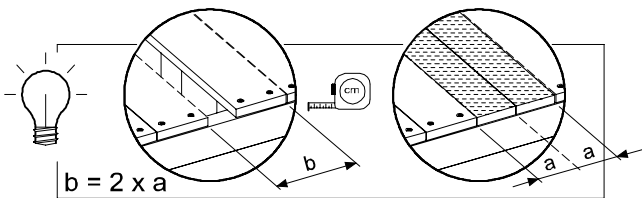
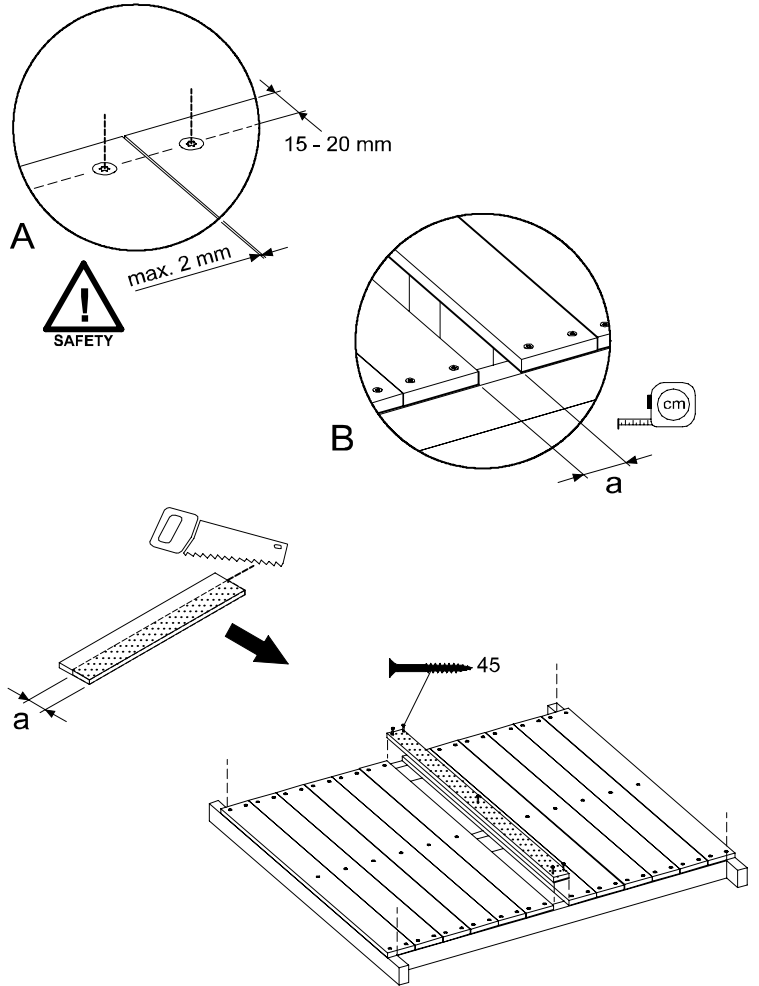
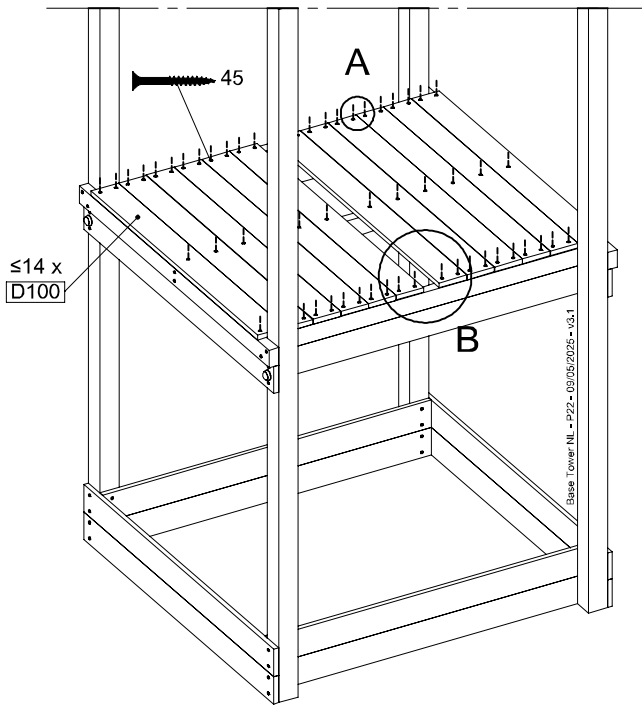
07-2



07-3



07-4



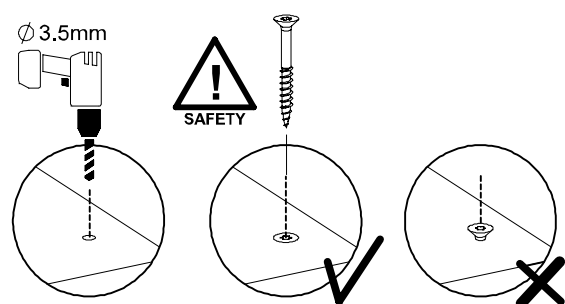
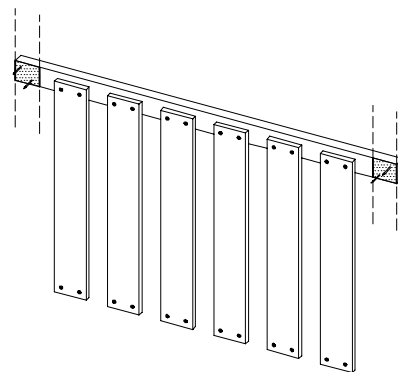
08 Balustrade

BL03

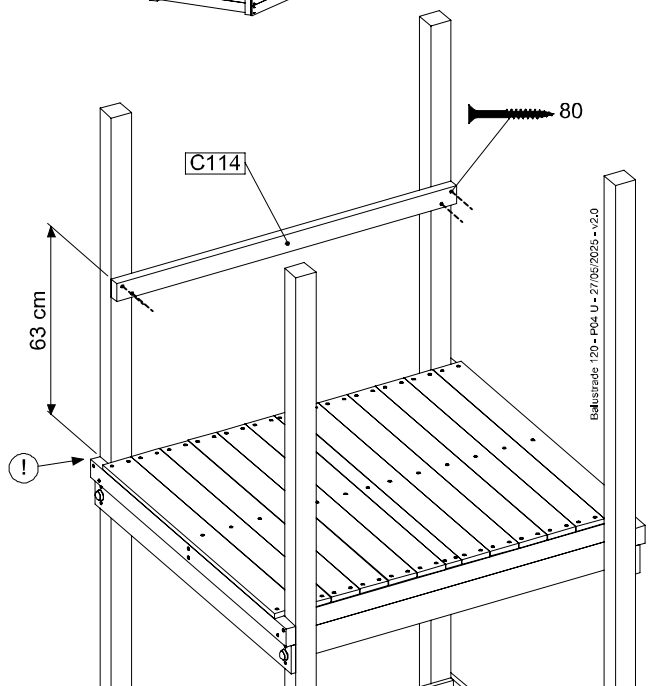
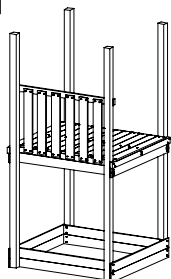
Assembly Pack: 194_501

	PartNo	PartName	QTY.
Hardware + Parts	002_220	Gap Point Screw T25 - 5x45	24
	002_223	Gap Point Screw T25 - 5x80	4
Timber	C114	Beam 1140 mm	1
	D65	Board 650 mm	6

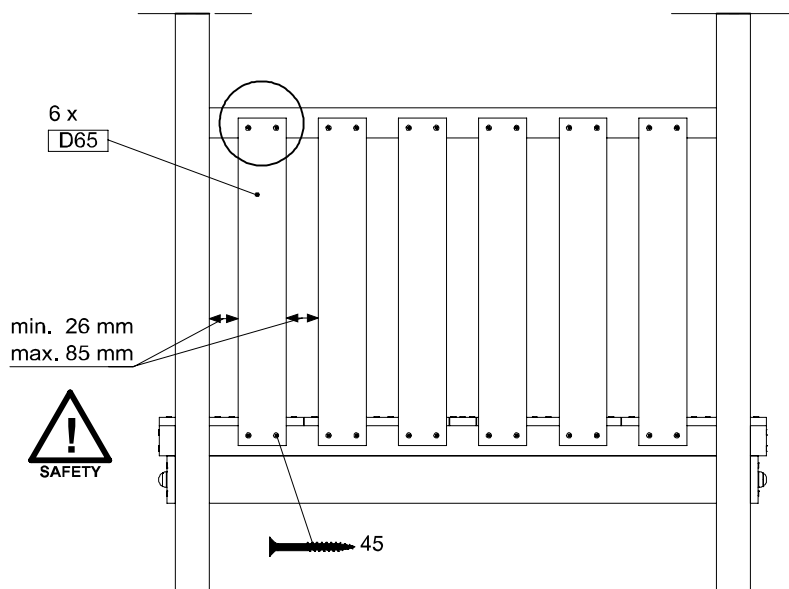
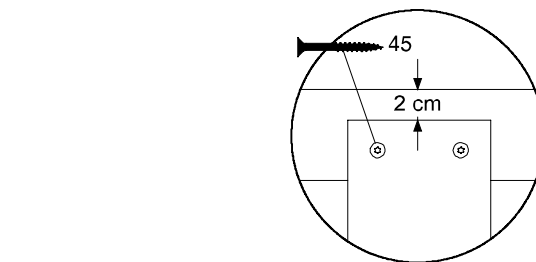
Balustrade 120 - P02 U - 27/05/2025 - v2.0



08-1



Balustrade 120 - P04 U - 27/05/2025 - v2.0



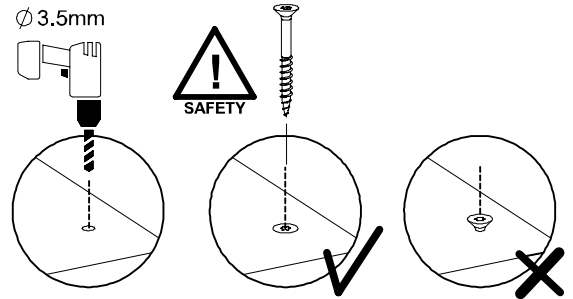
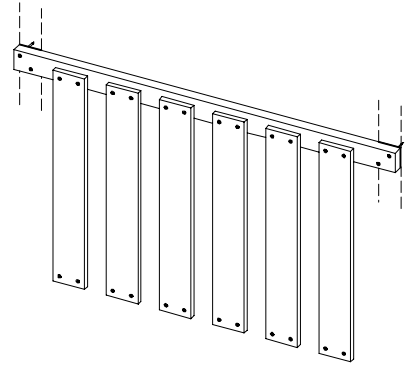
09 Balustrade

BL04

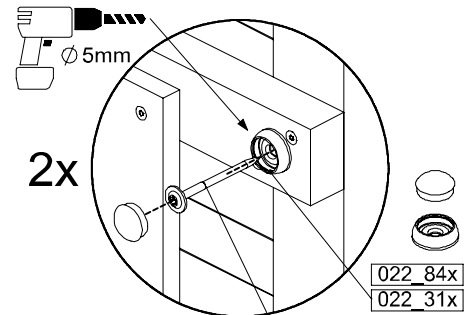
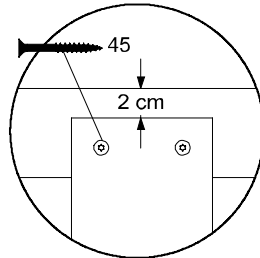
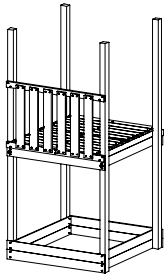
Assembly Pack: 194_501

	PartNo	PartName	QTY.
Hardware + Parts	002_220	Gap Point Screw T25 - 5x45	24
	002_223	Gap Point Screw T25 - 5x80	4
Timber	C114	Beam 1140 mm	1
	D65	Board 650 mm	6

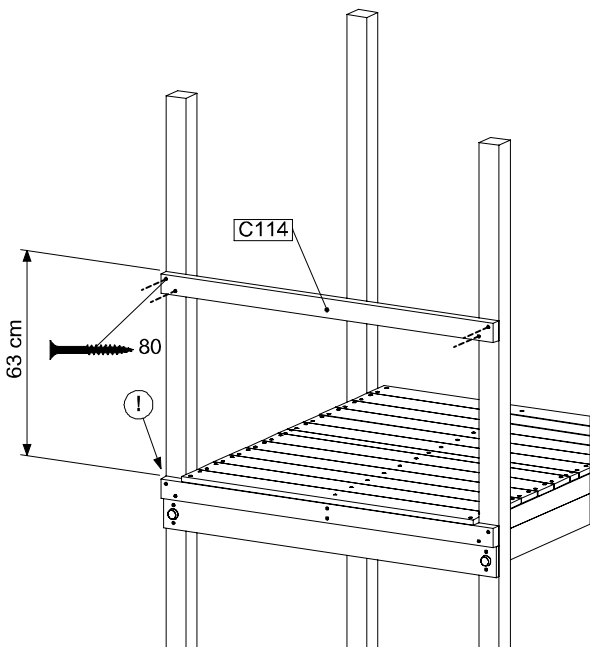
Balustrade 120 - P03 T - 27/05/2025 - v2.0



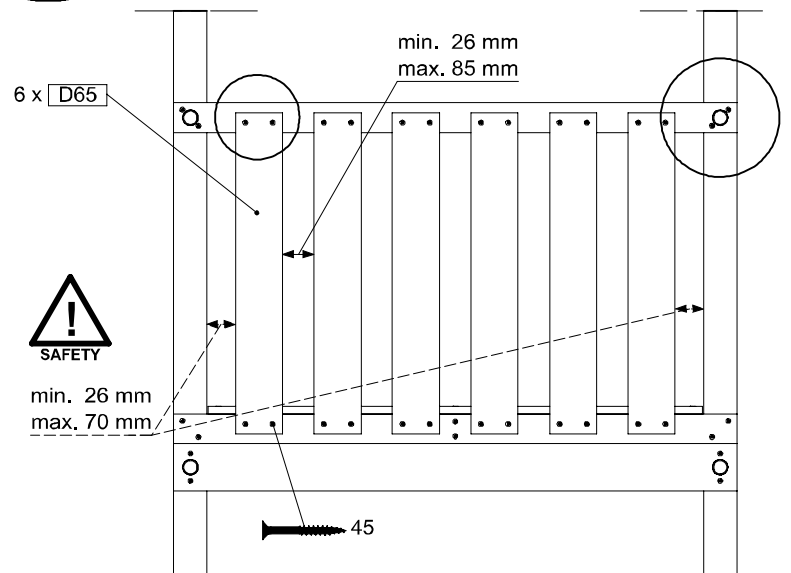
09-1



HARDWARE PACK TOWER (BT/ET) → 80



Balustrade 120 - P05 T - 27/05/2025 - v2.0



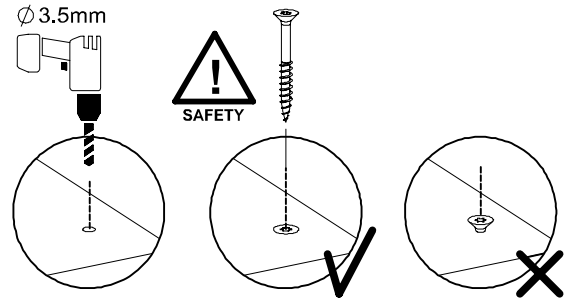
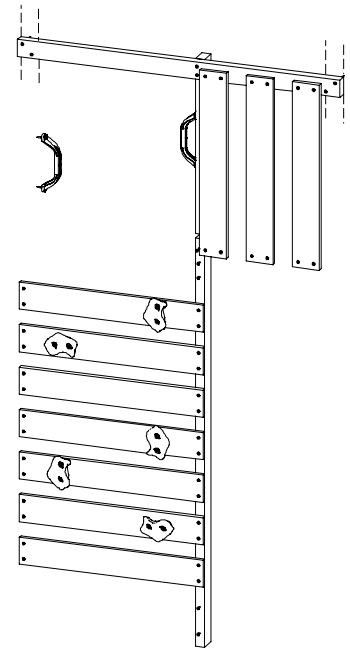
10 Rock Wall

RW11

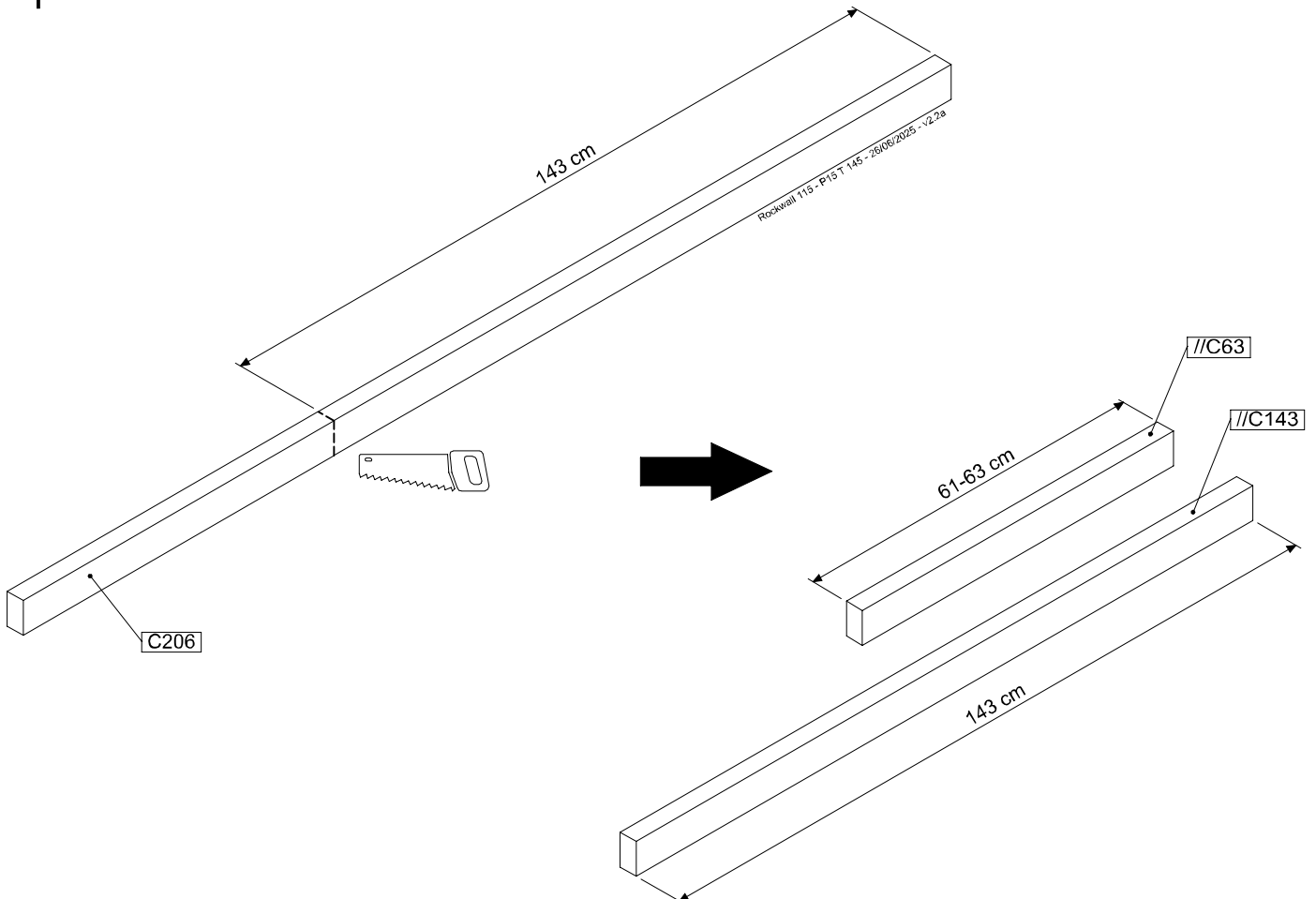
Assembly Packs: 194_006 + 194_101

	PartNo	PartName	QTY.
Hardware + Parts	001_102	Washer Head Screw T40 M8x30	10
	002_220	Gap Point Screw T25 - 5x45	44
	002_223	Gap Point Screw T25 - 5x80	9
	003_010	M8 spring lock washer	10
	004_050	M8 Drive-in Nut 22mm	10
	022_50x	Climbing Rock	5
	120_102	Handgrip set (complete 2x)	1
Timber	C114	Beam 1140 mm	1
	C206	Beam 2060 mm	1
	D65	Board 650 mm	10

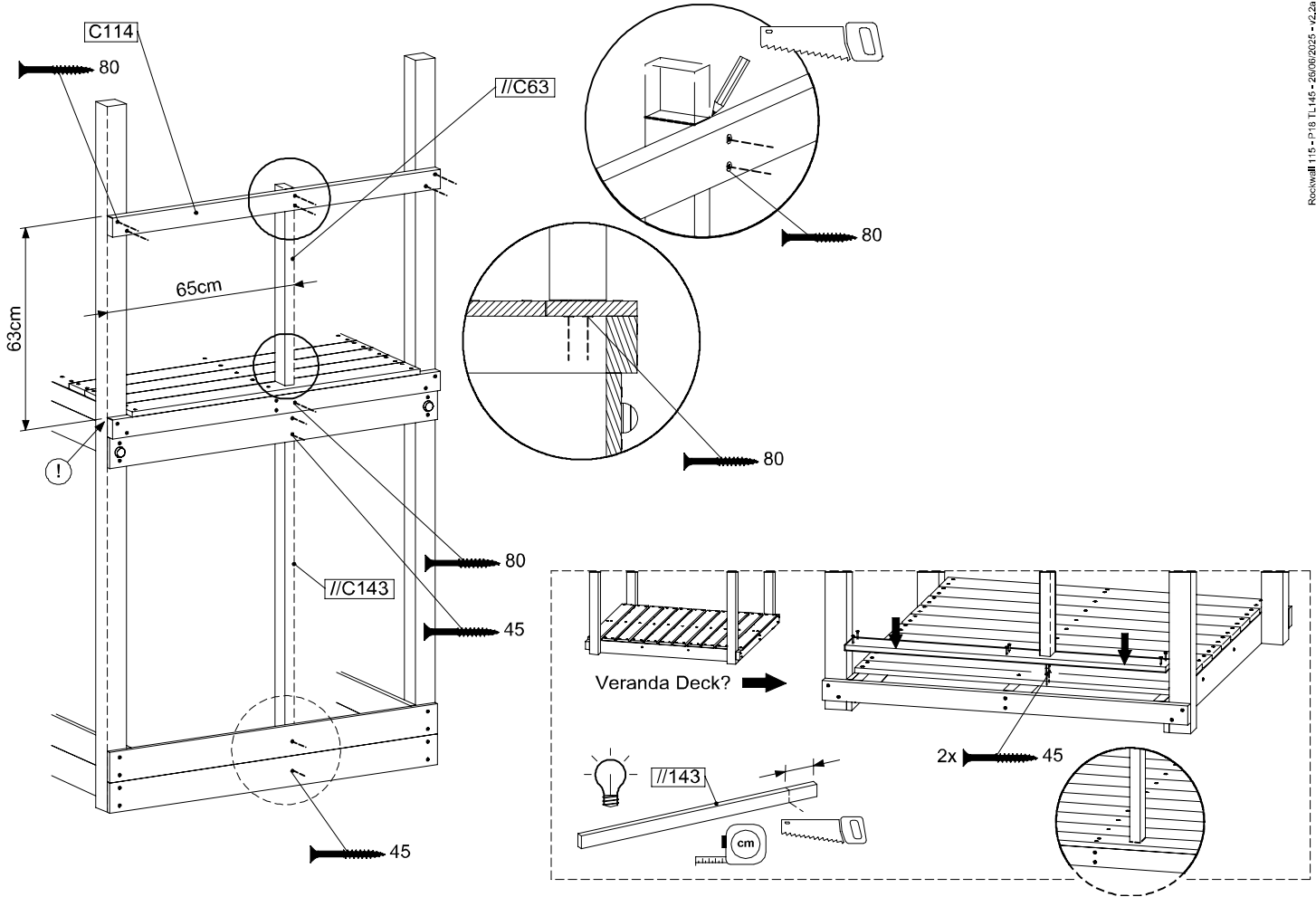
Rockwall 115 - P15 T 145 - 26/06/2025 - v2.2a



10-1



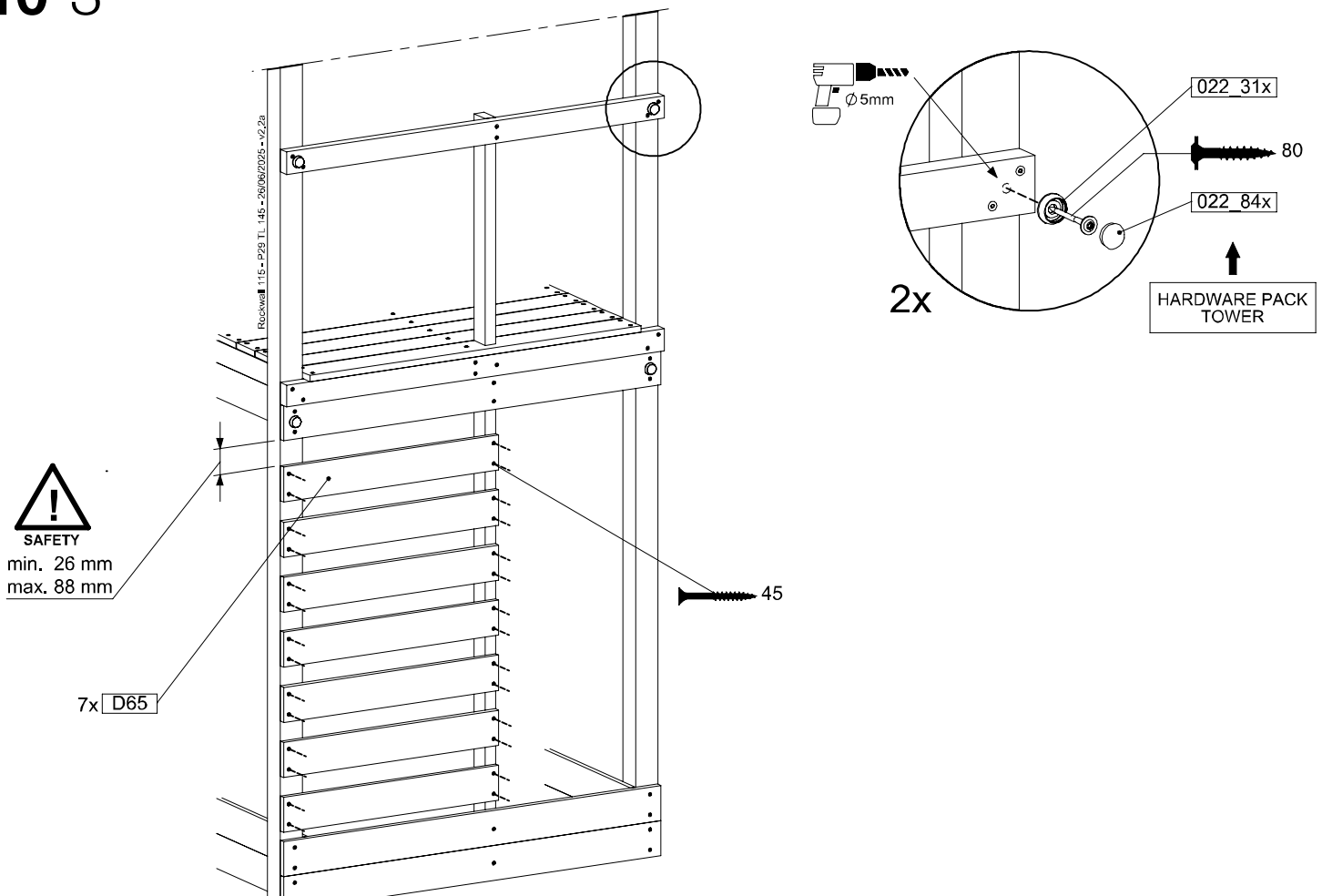
10-2



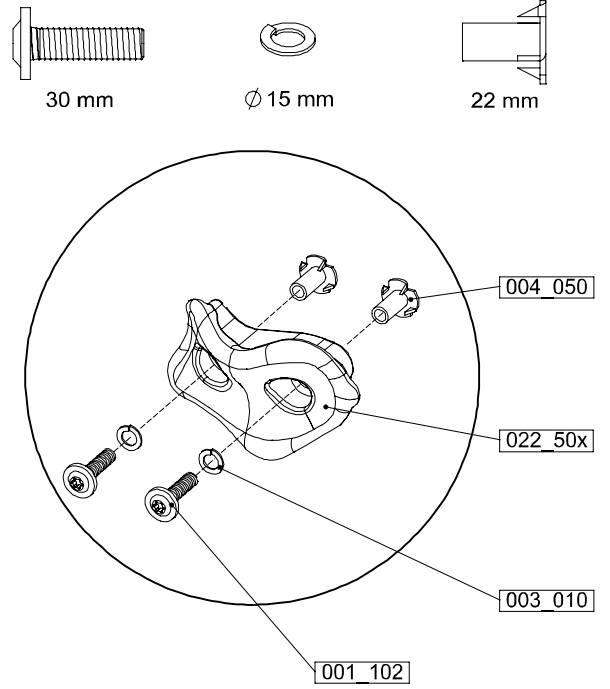
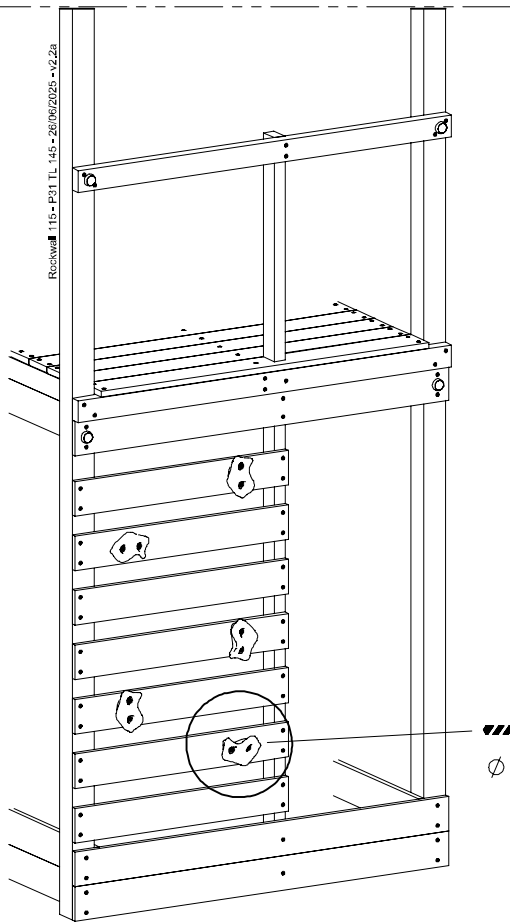
Rockwall 115 - P18 TL 145 - 2606/2025 - v2.2a

Manual ID: 04_02_247

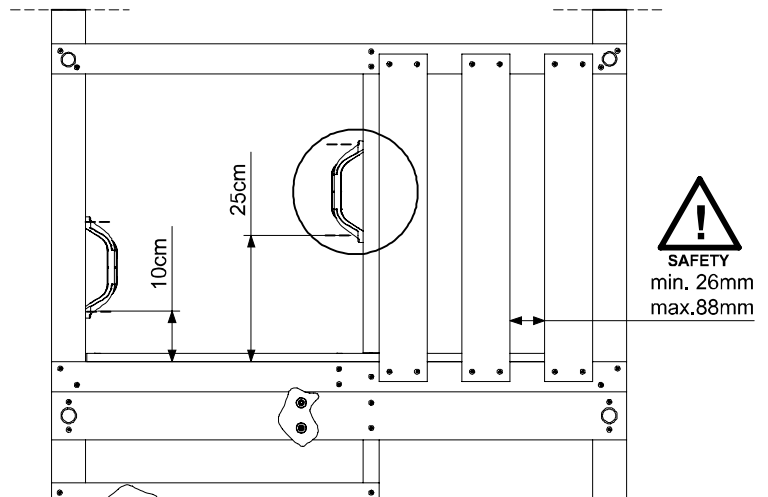
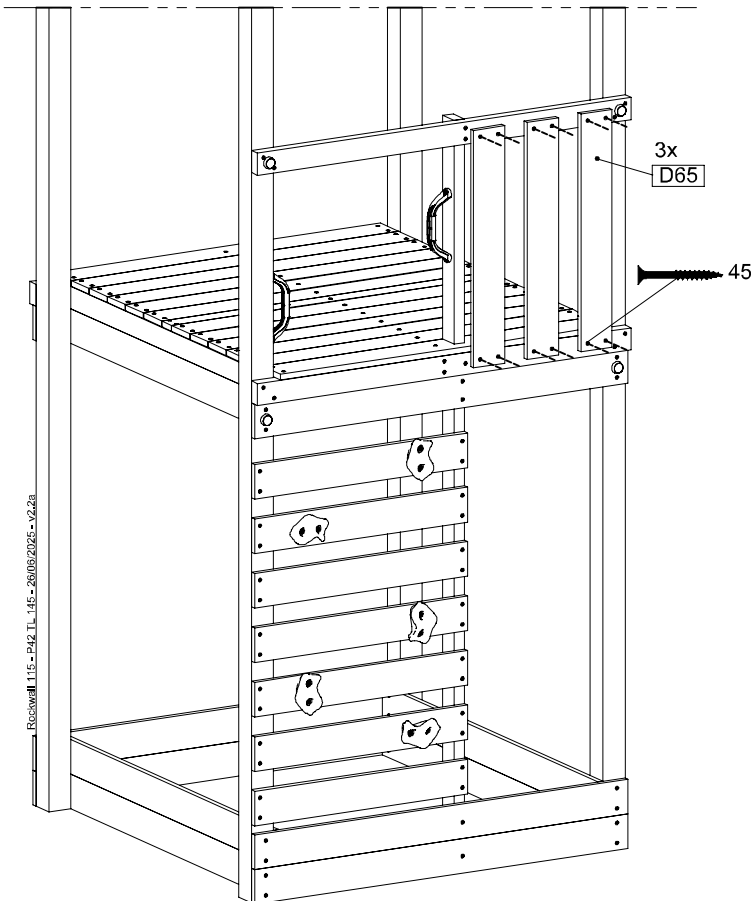
10-3



10-4



10-5



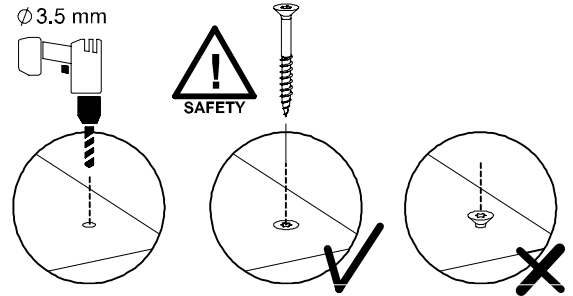
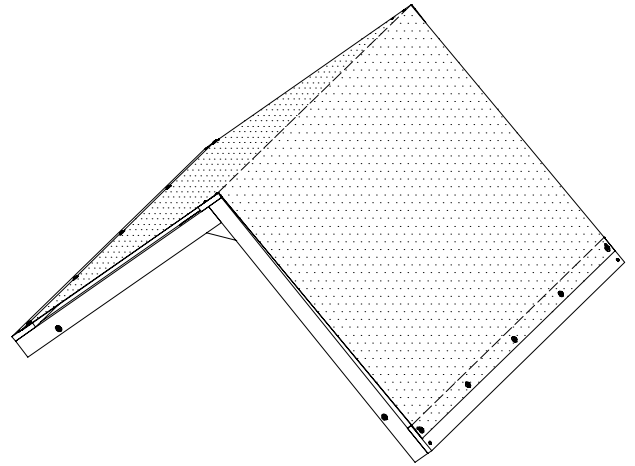
11 Roof

RF07

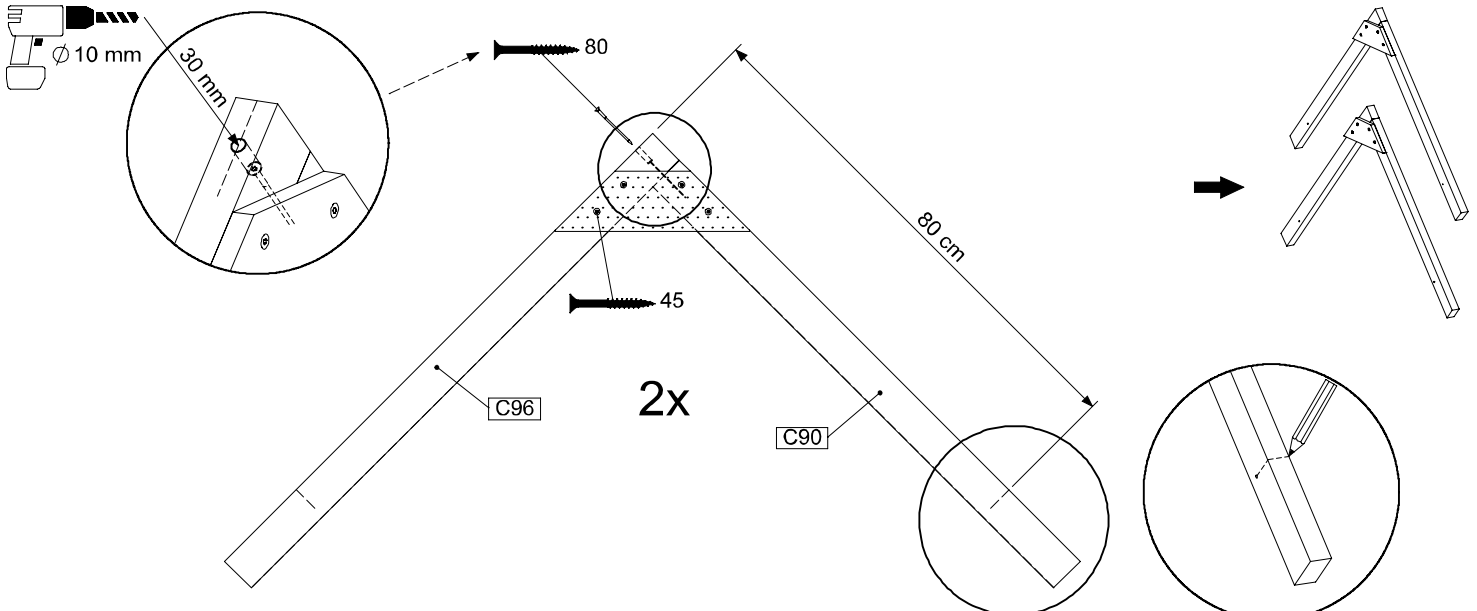
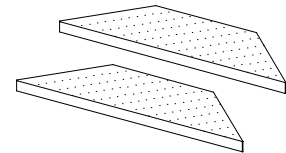
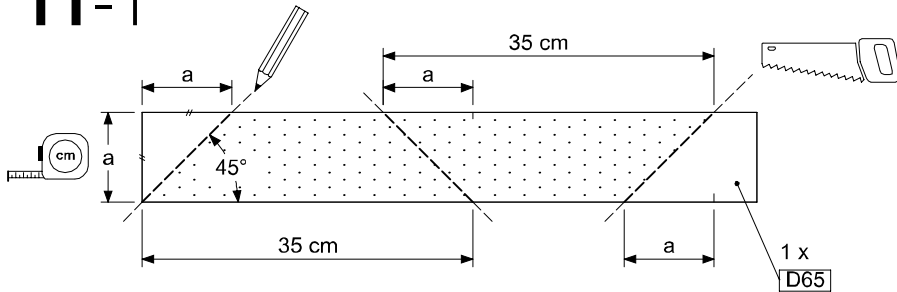
Assembly Pack: 194_312 (RF07a) / 194_805 (RF07b)

	PartNo	PartName	QTY.
Hardware + Parts	001_417	Stealth Screw 8x80	4
	002_220	Gap Point Screw T25 - 5x45	20
	002_223	Gap Point Screw T25 - 5x80	2
	002_308	Gap Point Screw T25 - 5x20	10
	023_031	Finishing Washer GPS 5.0	10
	123_222	Sheet Canvas 1200x1850	1
Timber	C90	Beam 900 mm	2
	C96	Beam 960 mm	2
	D65	Board 650 mm	1
	D120	Board 1200 mm	3

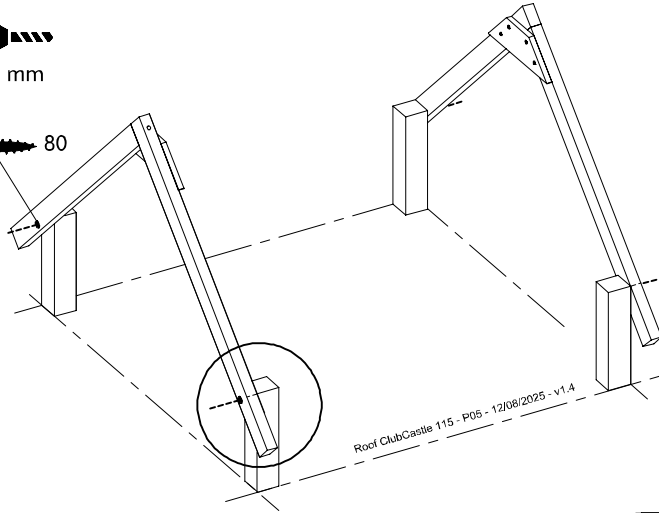
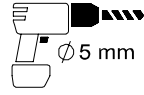
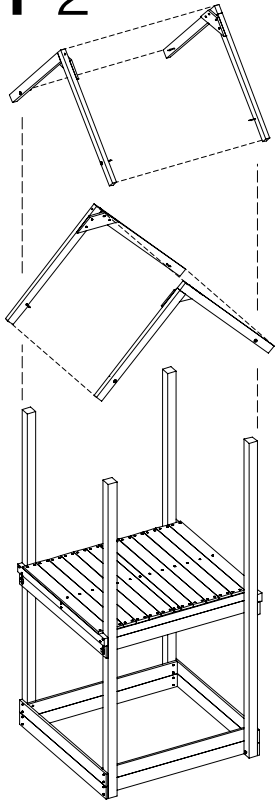
Roof ClubCastle 115 - P02 - RF07 - 12/08/2025 - v1.4



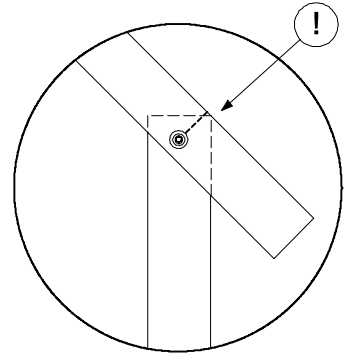
11-1



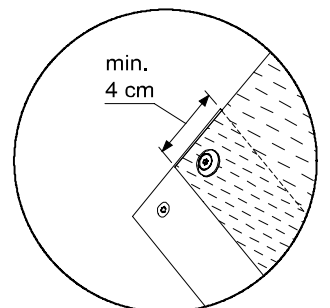
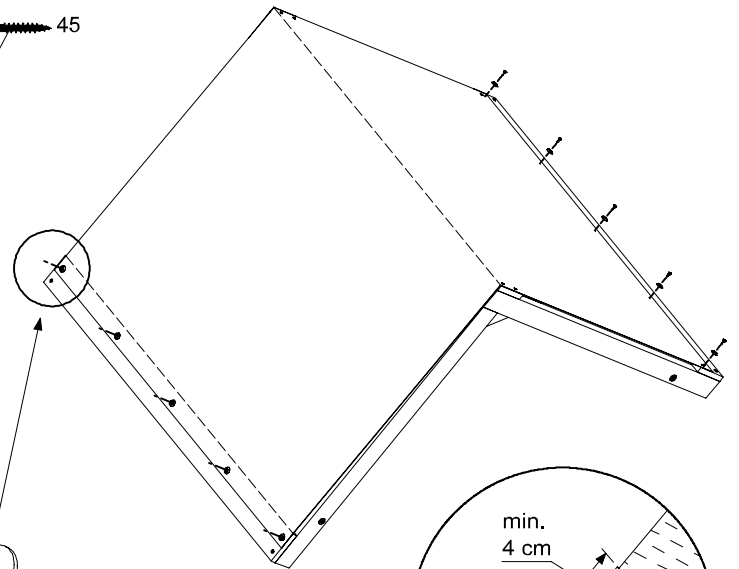
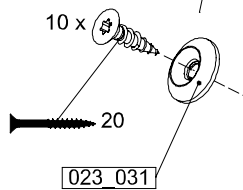
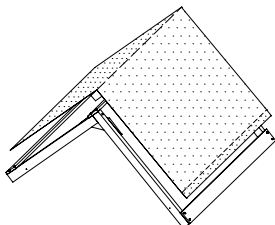
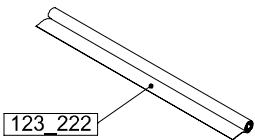
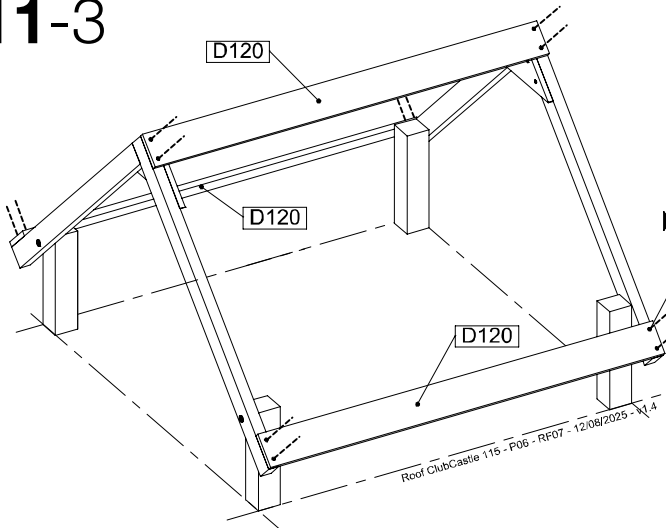
11-2



Roof ClubCastle 115 - P05 - 12/08/2025 - v1.4

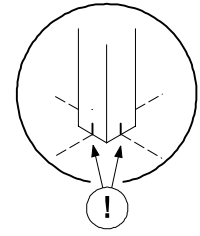
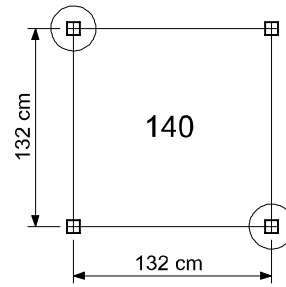
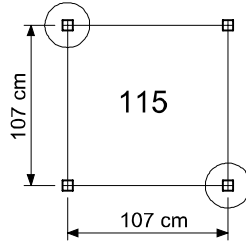
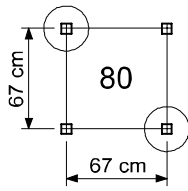
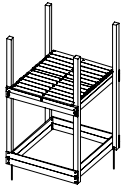


11-3

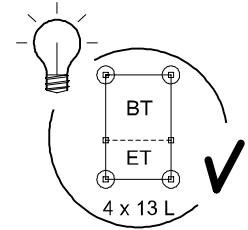
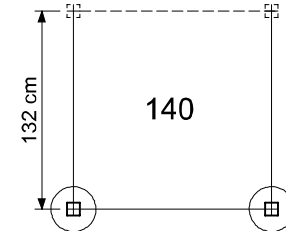
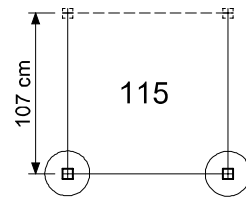
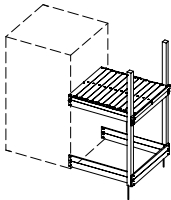
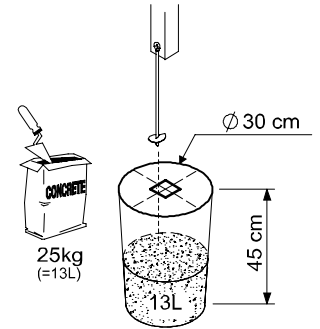
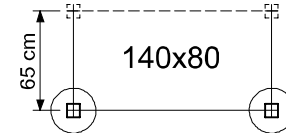
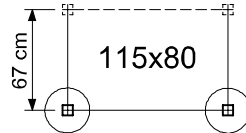
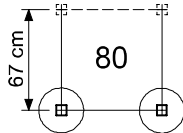
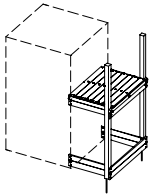


12 Ground Anchors

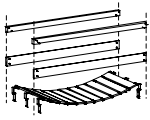
BASE TOWERS



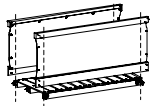
EXTENSION TOWERS



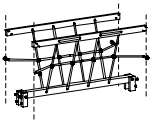
BRIDGES



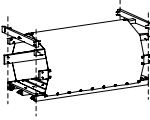
CLATTER



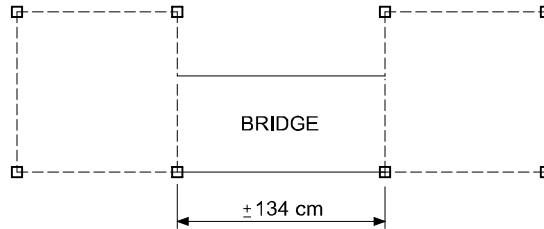
BOARDWALK



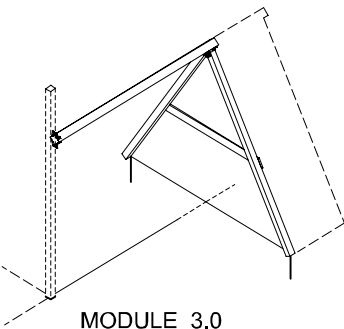
NET



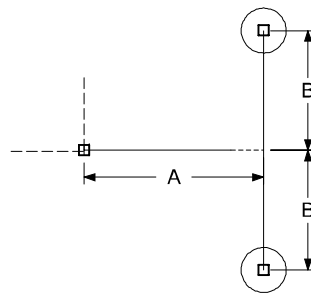
TUNNEL



SWING / CLIMB



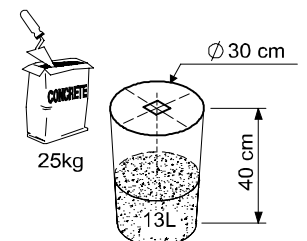
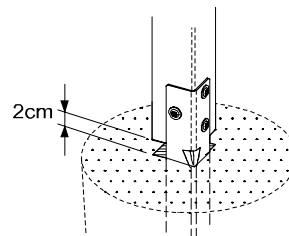
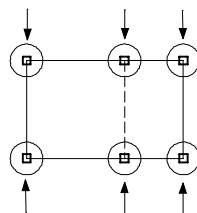
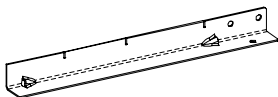
MODULE 3.0



MODULE 3.0	Module type	A	B
	1-Swing 200 - 3.0	155	110
	1-Swing 220 (Extra) - 3.0		115
	1-Climb 200 - 3.0	148	110
	2-Climb 200 - 3.0	222	
	2-Swing 200 - 3.0	215	115
	1-Climb 220 (Extra) - 3.0	170	
	2-Climb 220 (Extra) - 3.0	242	
2-Swing 220 (Extra) - 3.0	235		

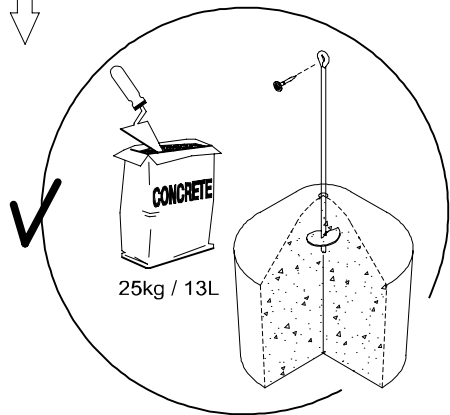
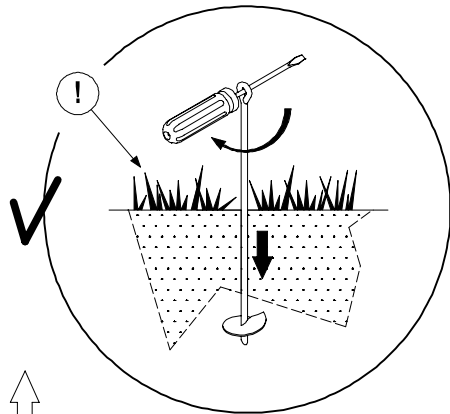
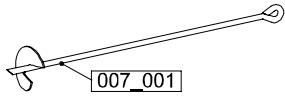
cm

Post ground anchor
- optional -

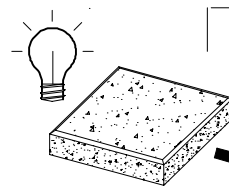
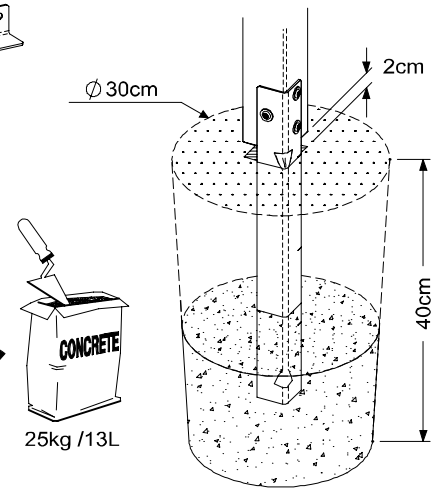
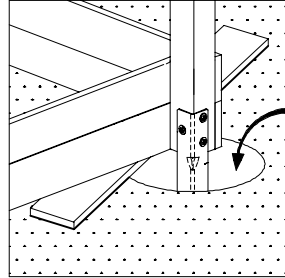
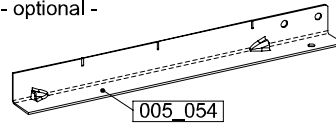


12-1

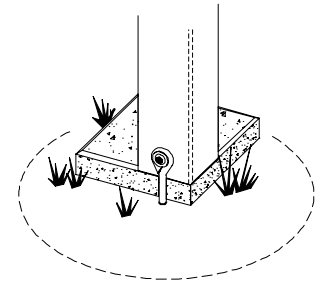
Screw-in ground anchor



Post ground anchor - optional -



Tiles / Pads - optional -



Ground Anchors Unit - P01 - 22/07/2025 - v2.3

Manual ID: 04_02_2-17

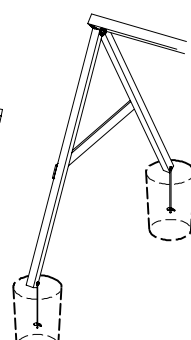
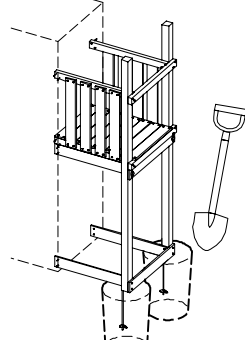
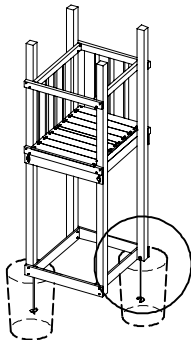
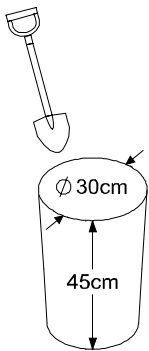
BT

ET

SW / CL

BT / ET

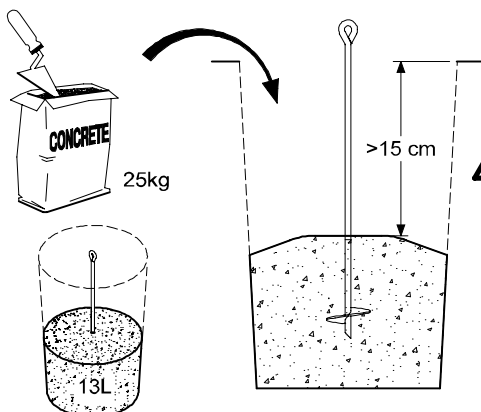
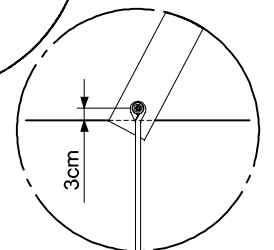
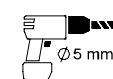
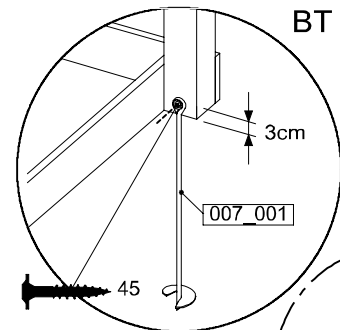
SW / CL



1.

Ground Anchors Unit - P02 - 22/07/2025 - v2.3

2.

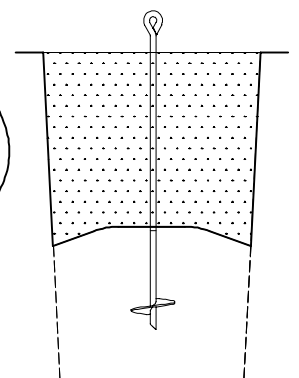
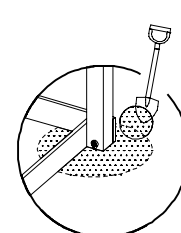


24h



3.

4.

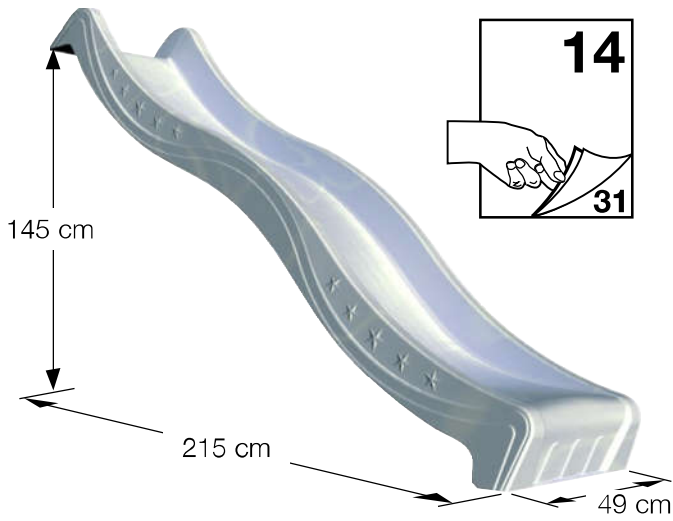


5.

13 Add-on

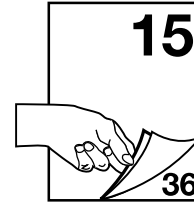
Wavy Star Slide XXL

- 334_100 Yellow
- 334_200 Blue
- 334_300 Green
- 334_400 Red
- 334_500 Fuchsia
- 334_600 Dark Green



Fireman's Pole

201_275



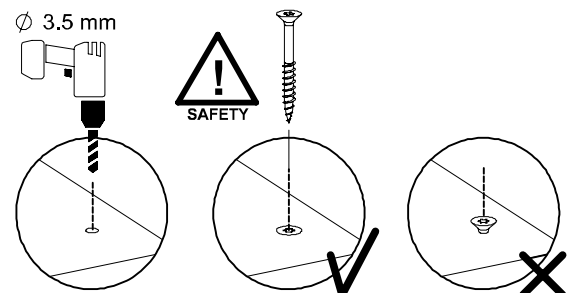
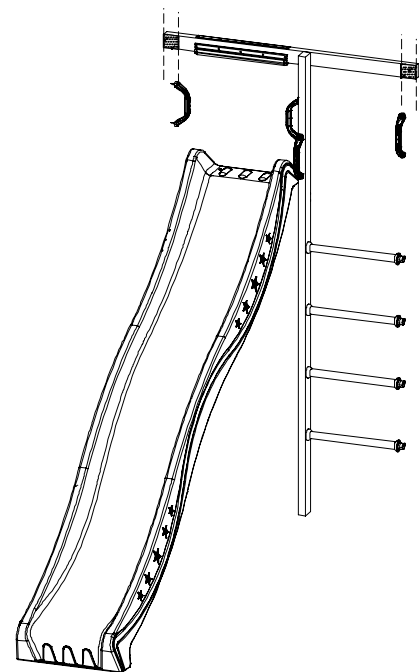
14 Slide Set

SL18

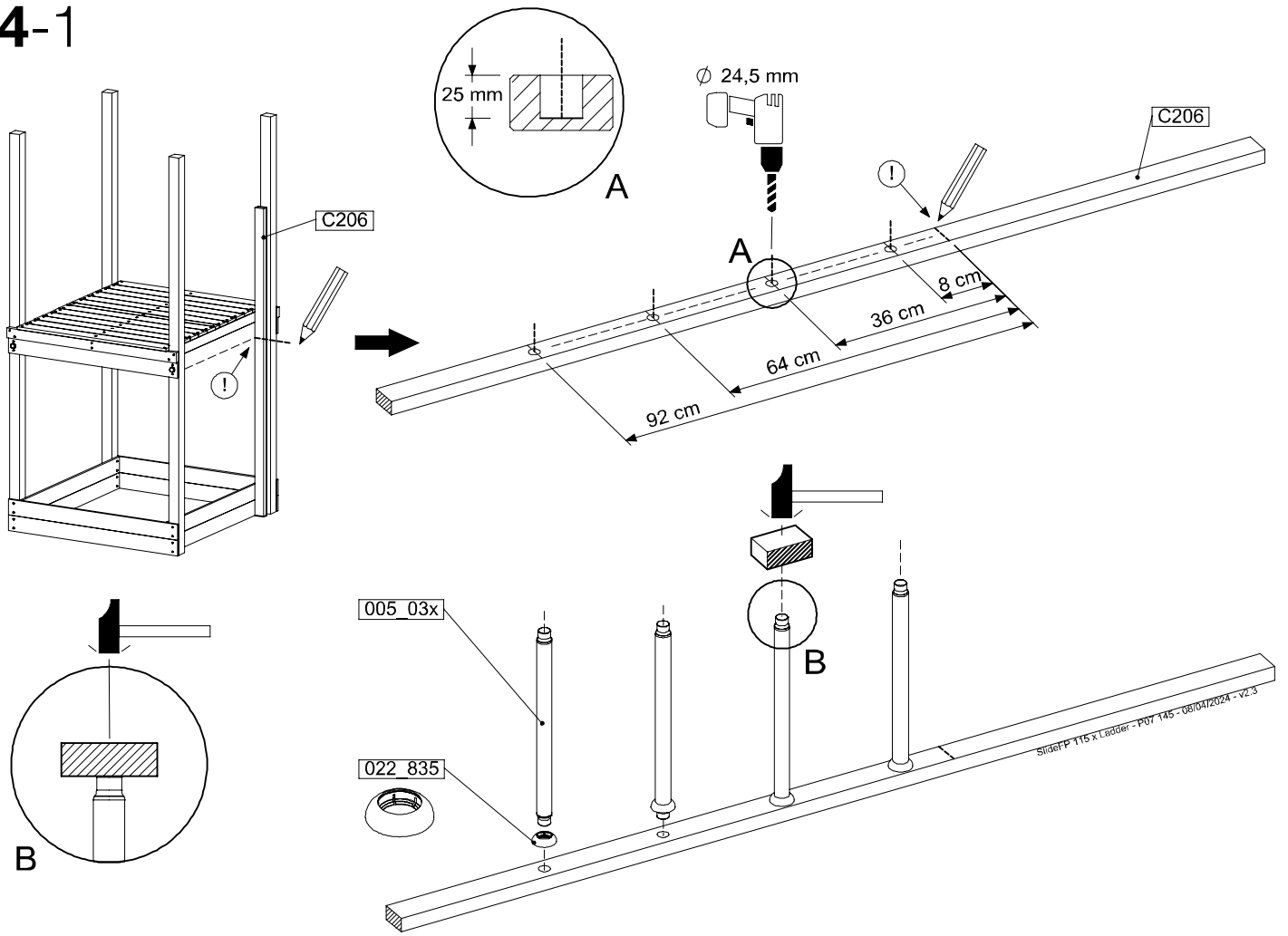
Assembly Packs: 194_107 + 194_004

	PartNo	PartName	QTY.
Hardware Pack	000_101	Nail Pan Head	10
	002_220	Gap Point Screw T25 - 5x45	12
	002_223	Gap Point Screw T25 - 5x80	8
	002_308	Gap Point Screw T25 - 5x20	2
Other	005_03x	Ladder Rung Y/B/G/R	4
	022_835	Rung Cap	8
	120_102	Handgrip set (complete 2x)	2
	123_200	Bumperpad	1
	334_xxx	Wavy Star Slide XXL 2650 mm	1
Timber	C114	Beam 1140 mm	1
	C206	Beam 2060 mm	1

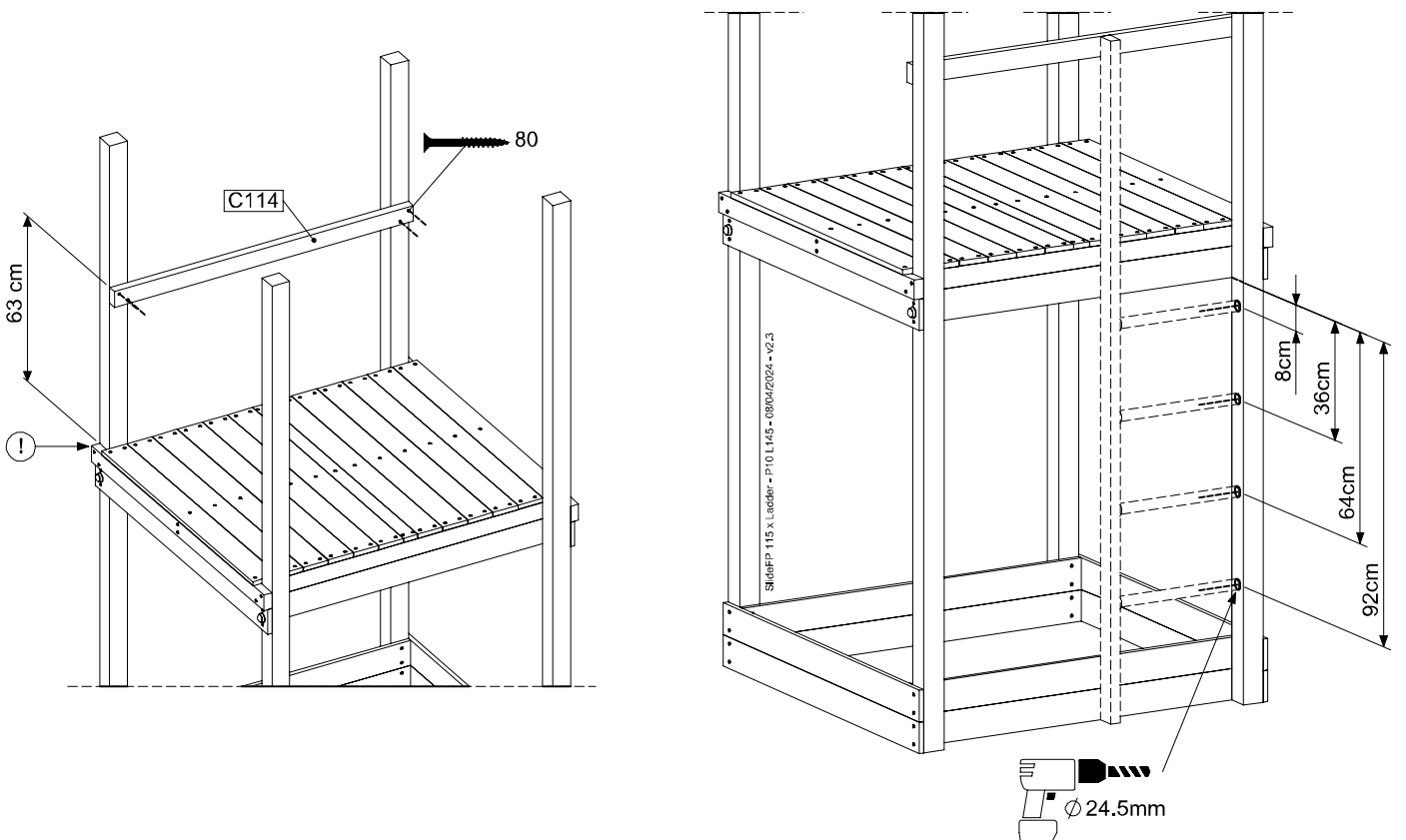
SlideFP_115 x Ladder-P04_L165-108/04/2024 - v2.3



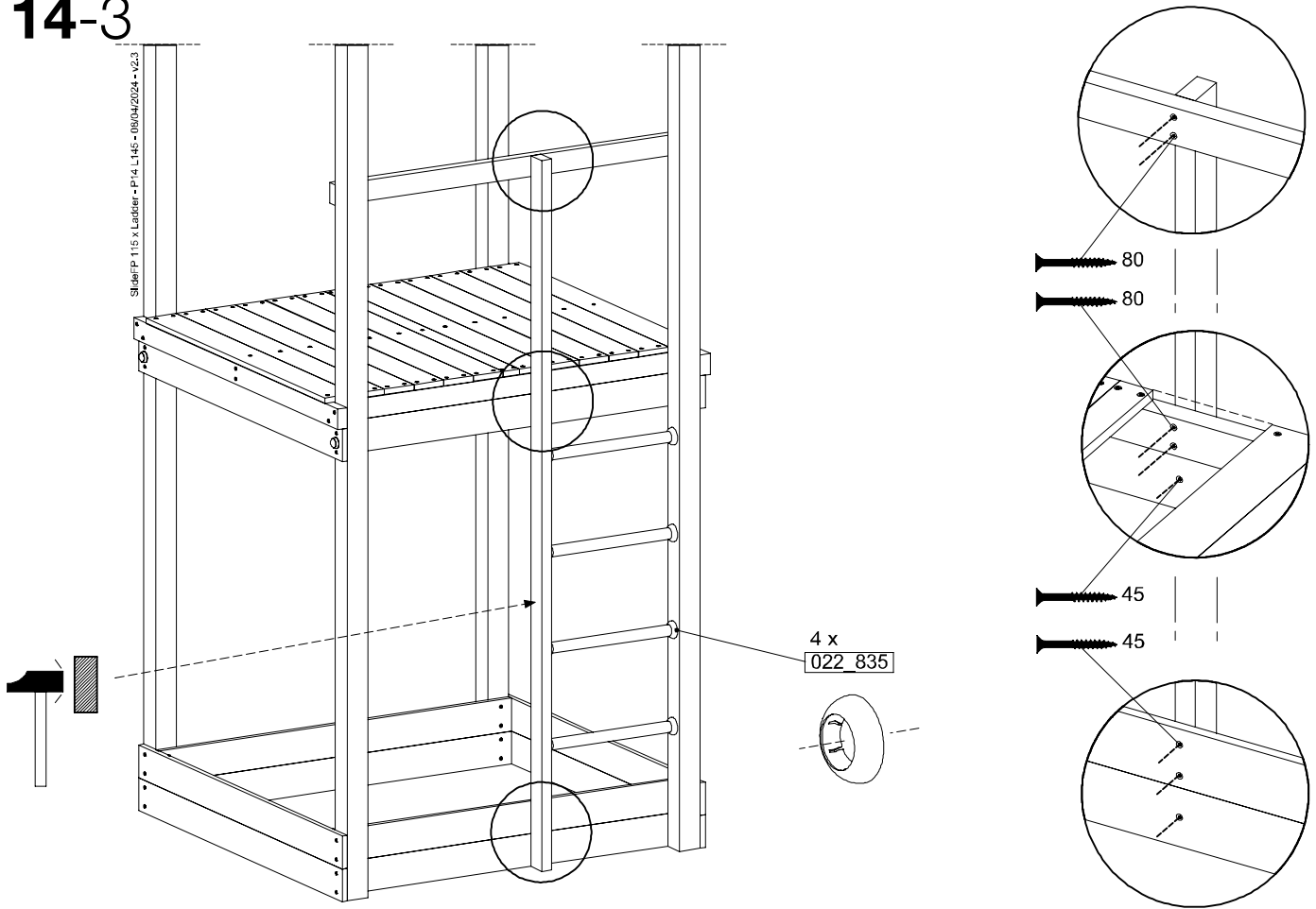
14-1



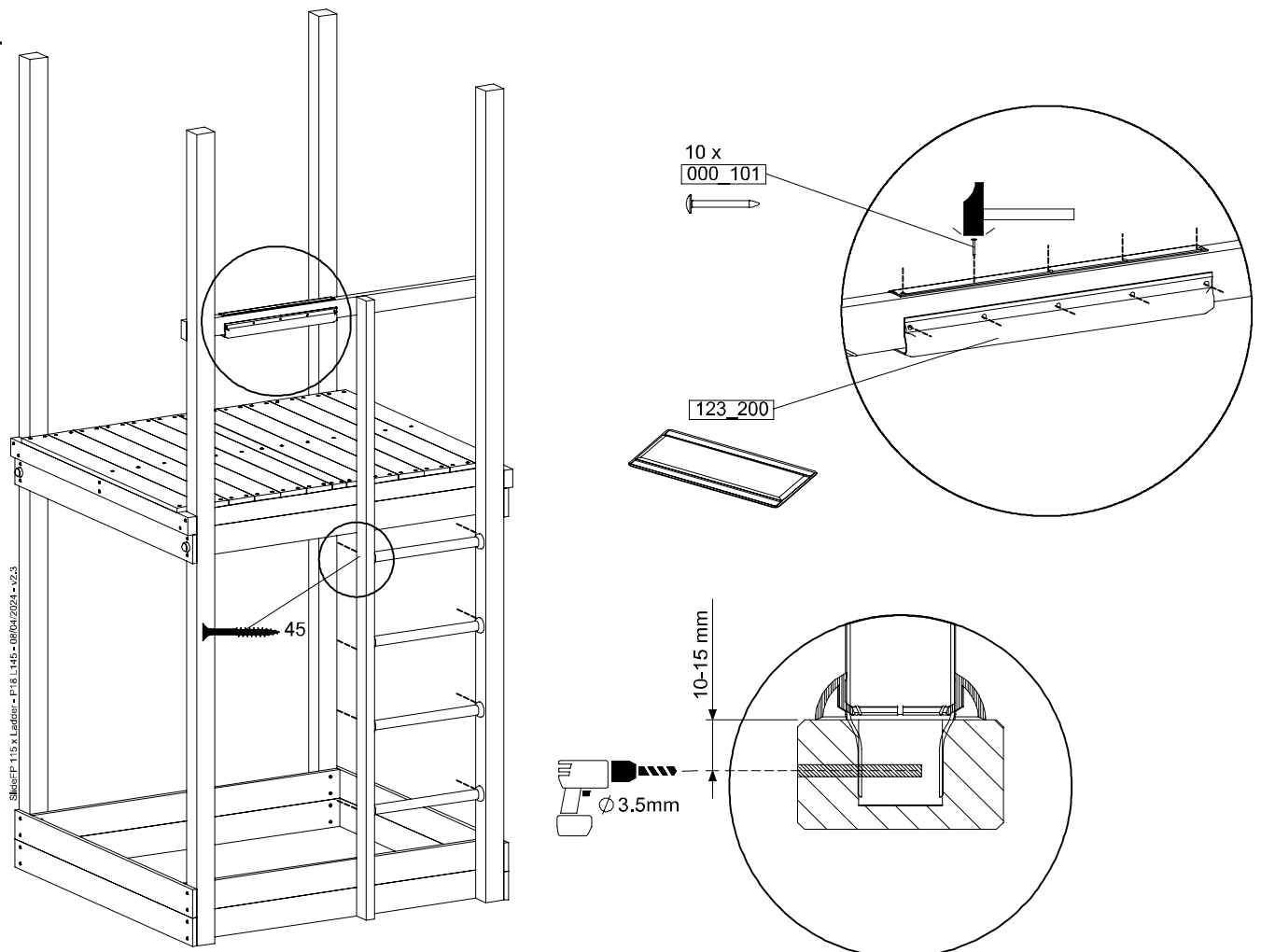
14-2



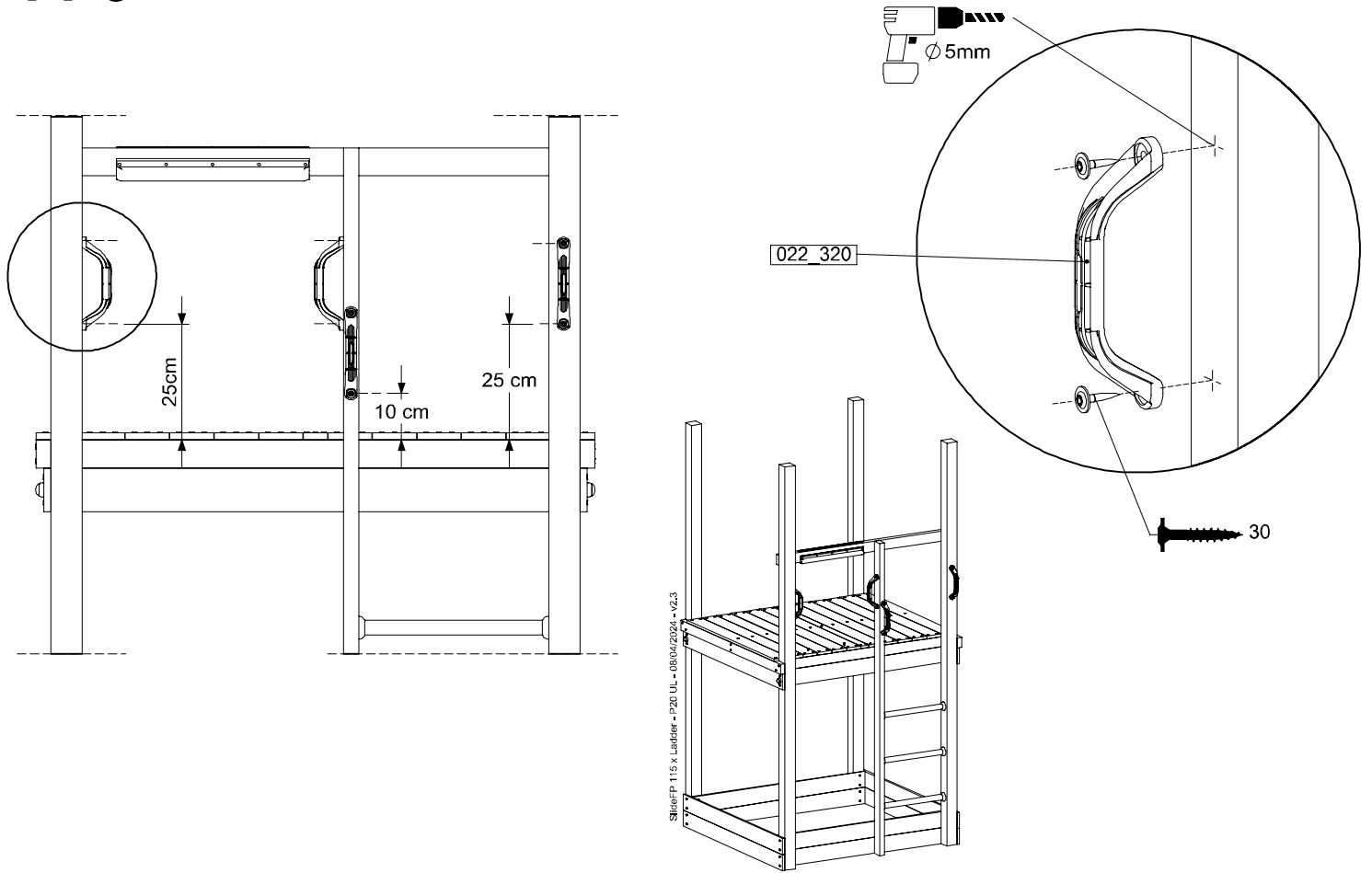
14-3



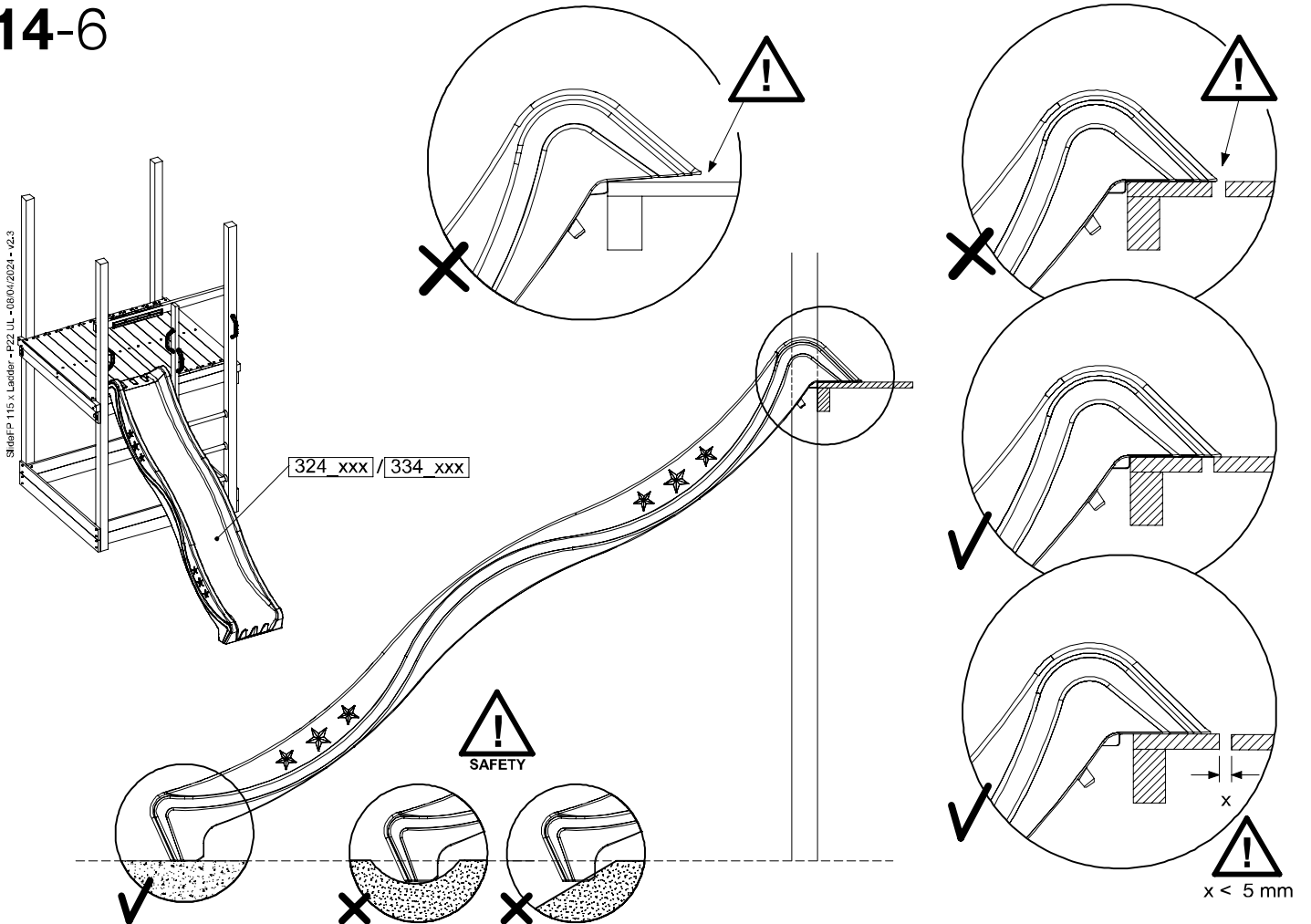
14-4



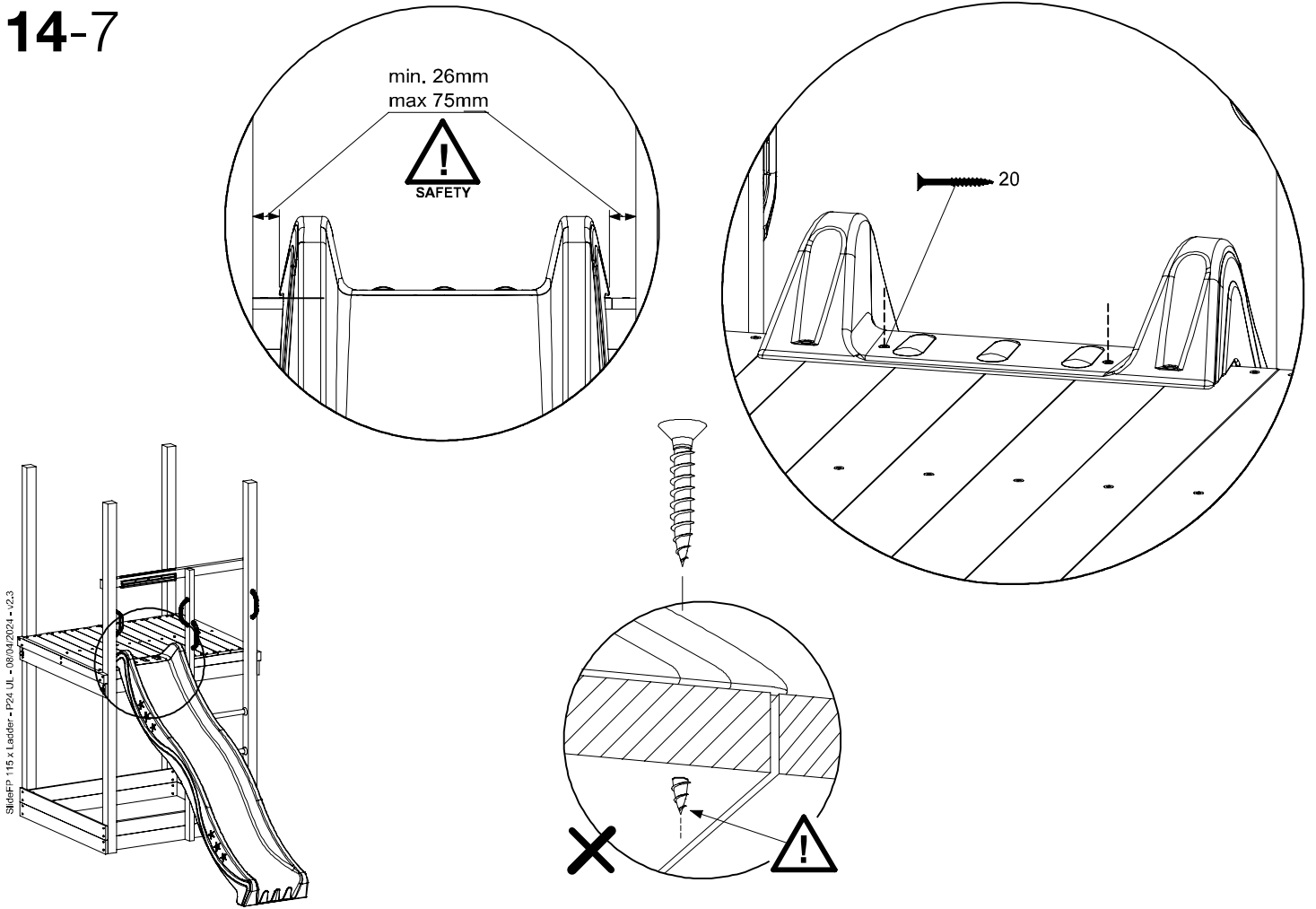
14-5



14-6

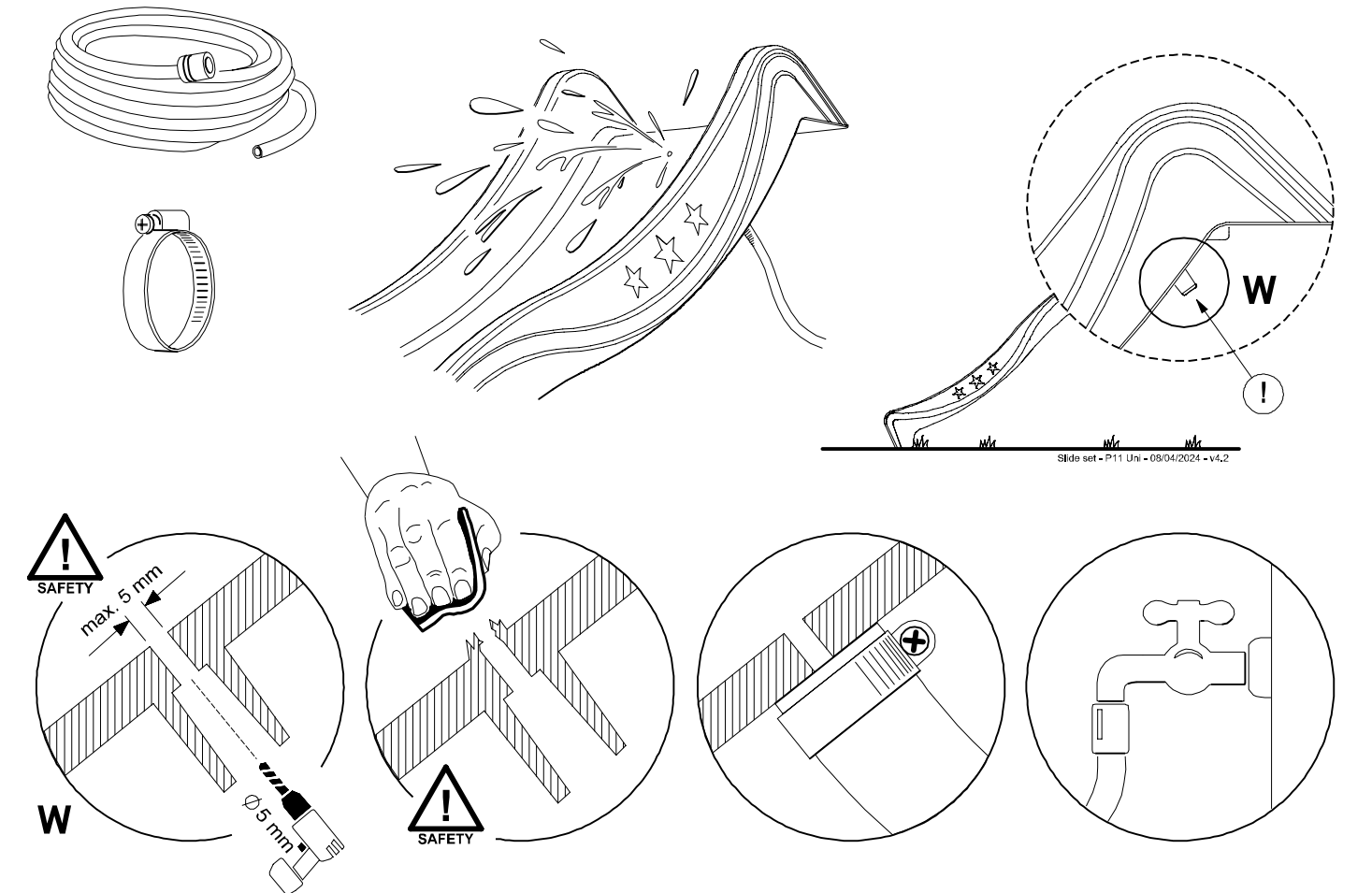


14-7



SlideFP 115 x Ladder - P24, UL - 08/04/2024 - v2.3

14-8



Slide set - P11 Uni - 08/04/2024 - v4.2

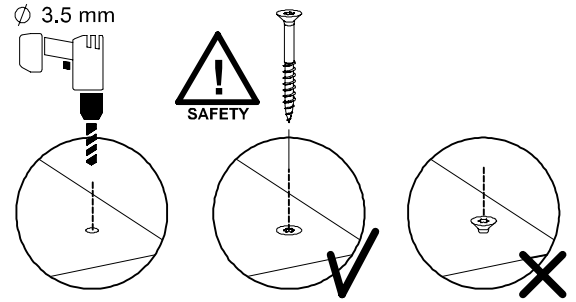
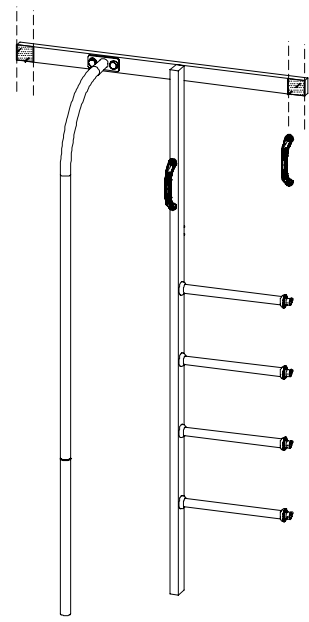
15 Firemans Pole

FP17

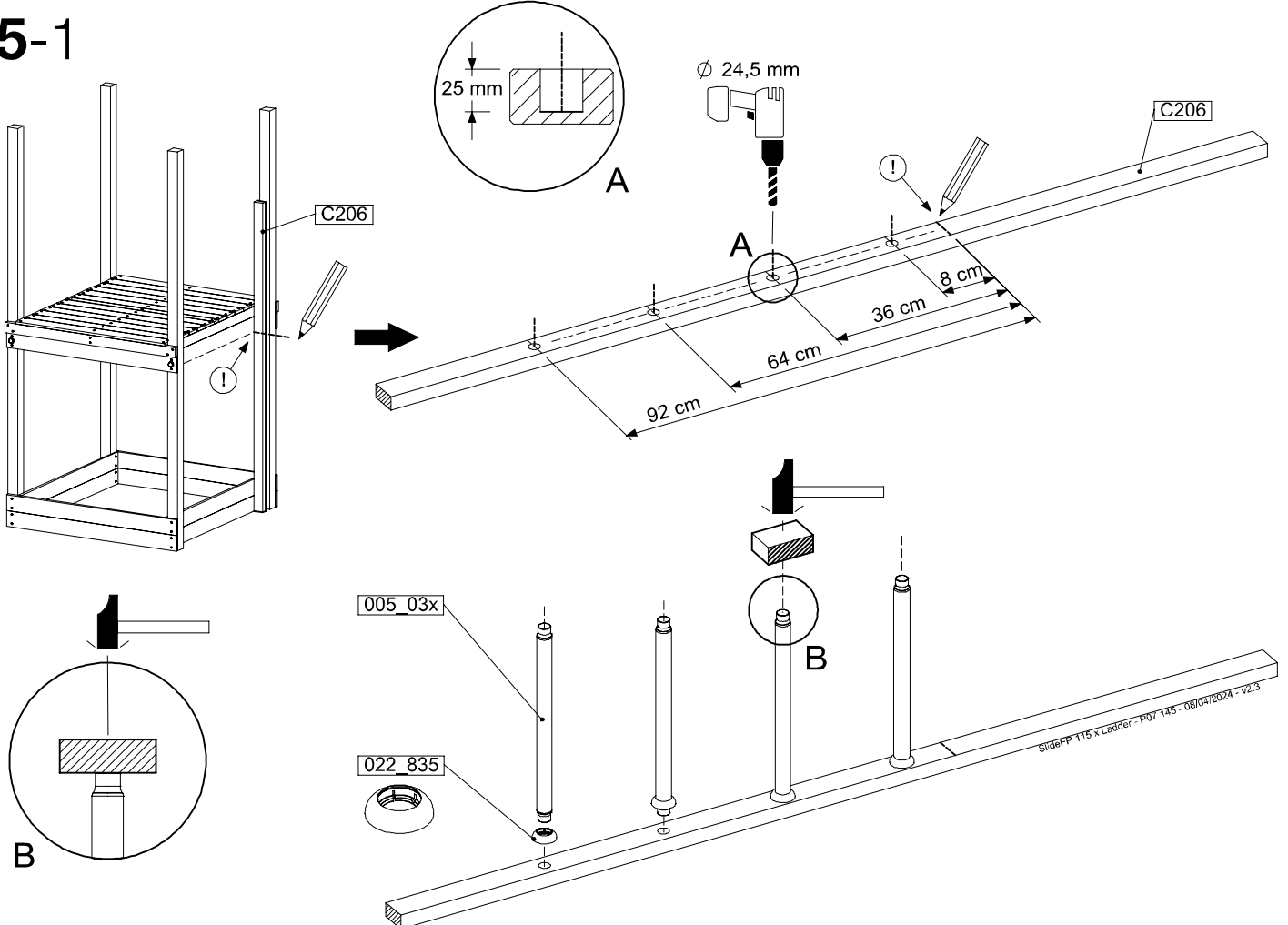
Assembly Packs: 201_275 + 194_004

	PartNo	PartName	QTY.
Hardware Pack(s)	001_103	M8 Washer Head Screw 40mm	2
	002_220	Gap Point Screw T25 - 5x45	12
	002_223	Gap Point Screw T25 - 5x80	8
	003_010	M8 spring lock washer	2
	003_040	M8 Washer	2
	004_052	M8 Drive-in Nut 30mm	2
	004_054	M8 Drive-in Nut 45mm	2
Other	005_03x	Ladder Rung Y/B/G/R	4
	022_31x	bpc-base version 3	2
	022_84x	bpc cover	2
	022_835	Rung Cap	8
	102_915	Fireman's Pole	1
	120_102	Handgrip set (complete 2x)	1
Timber	C114	Beam 1140 mm	1
	C206	Beam 2060 mm	1

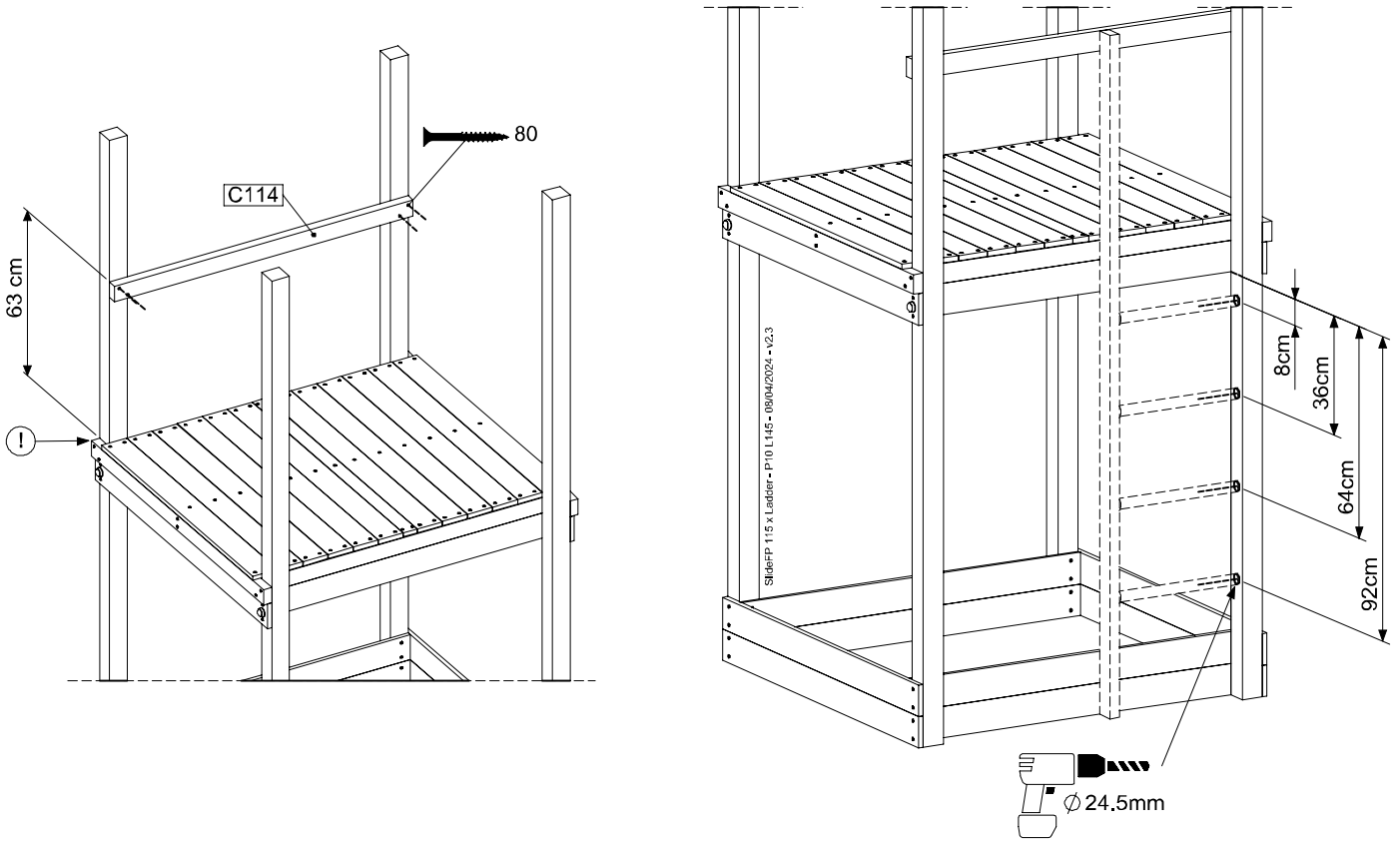
SlideFP 115 x Ladder - P07 145 - 08/04/2024 - v2.3



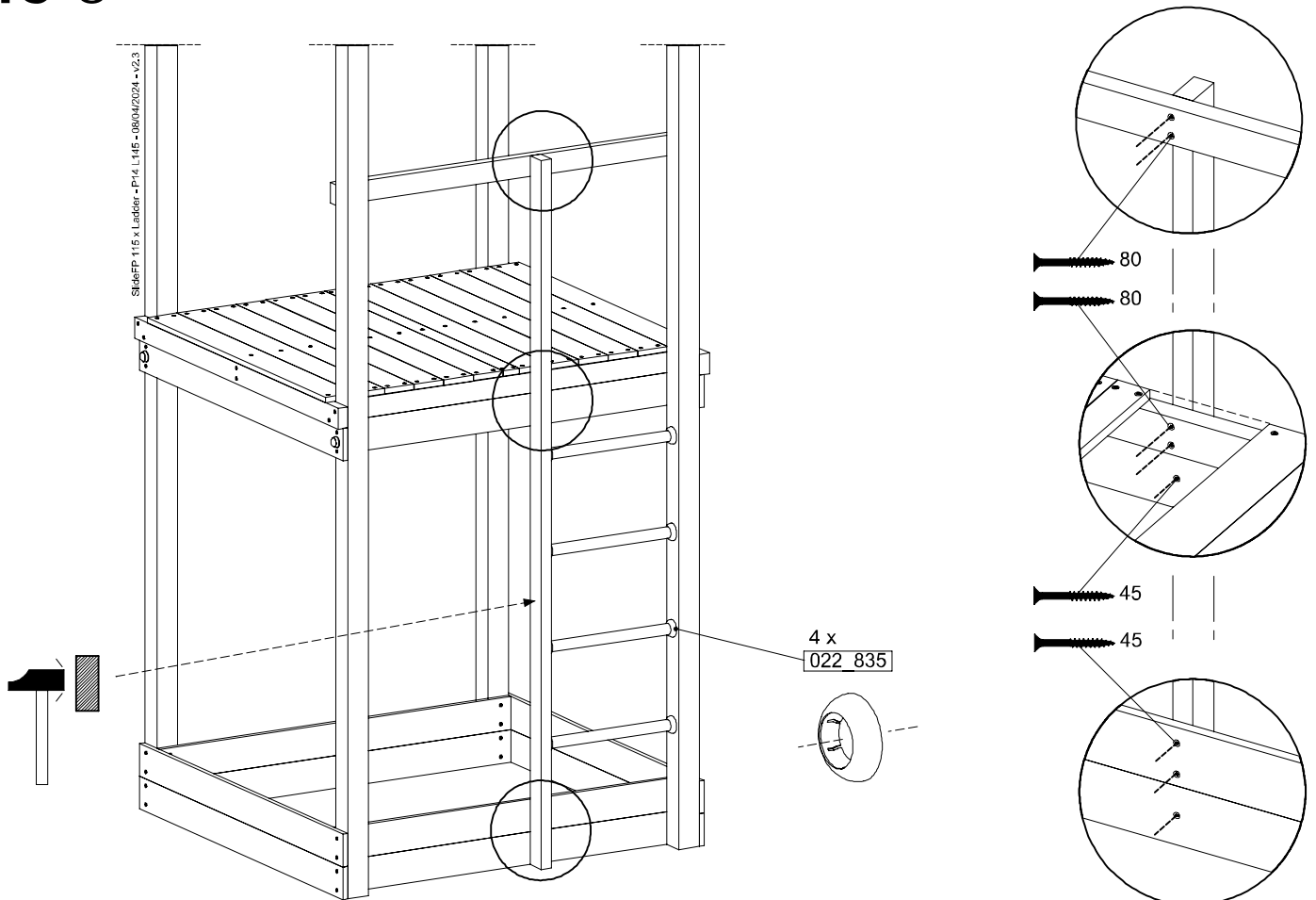
15-1



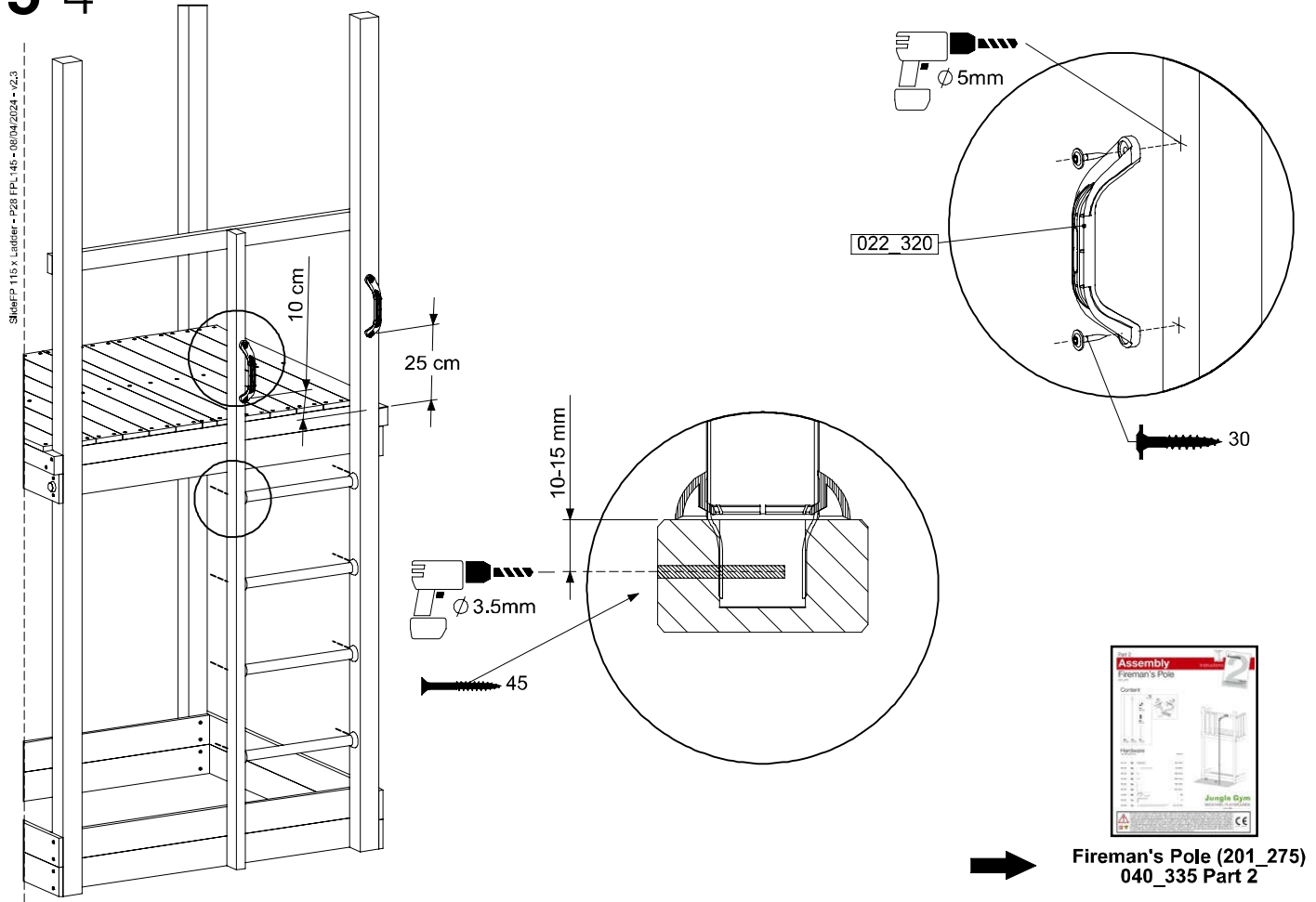
15-2



15-3



15-4

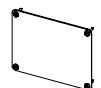
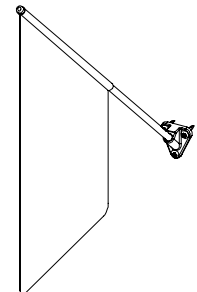
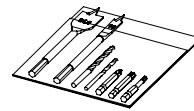
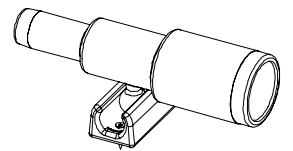
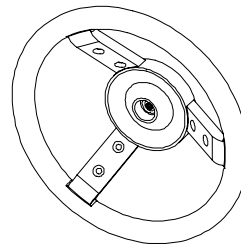


16 Accessories

AC01

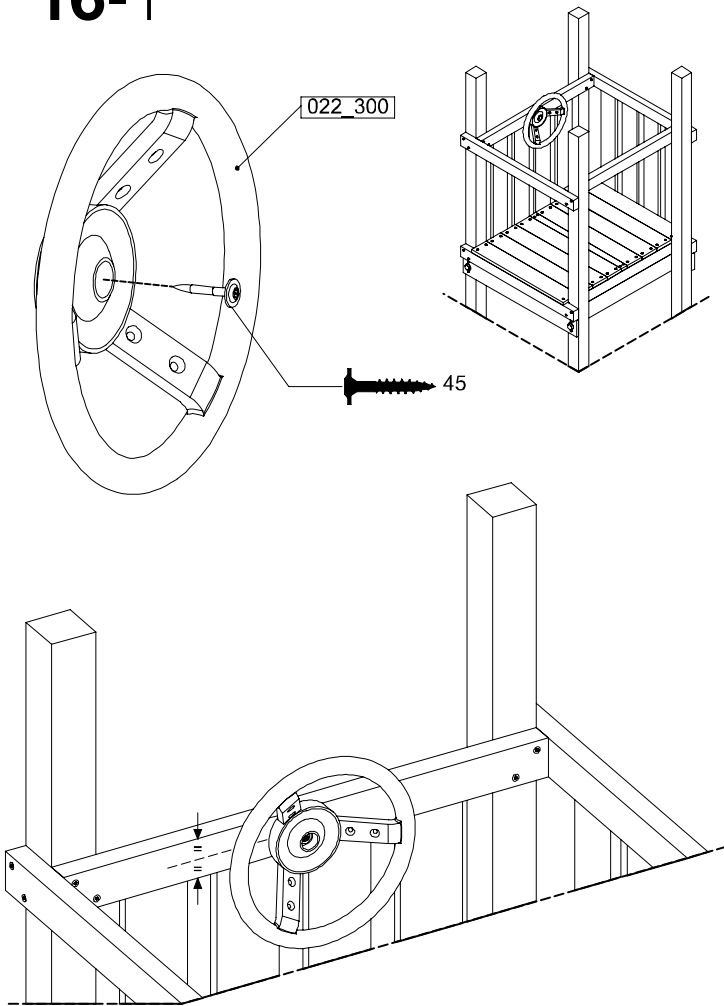
(194_119)

	PartNo	PartName	QTY.
Hardware Pack 100_617	001_406	Stealth Screw 8x45	1
	002_041	Dome head screw 4.5 x 20 mm	3
	002_042	Dome head screw 3.5 x 13mm	4
	002_219	Gap Point Screw T25 - 5x30	2
Other	022_300	Steering Wheel	1
	022_800	Rail P/T 105	1
	022_910	Sandpad	1
	103_901	Logo ID Plate	1
	104_107	Tool Set Climbing Units	1
	120_024	Tower Flag	1
	122_302	Telescope	1

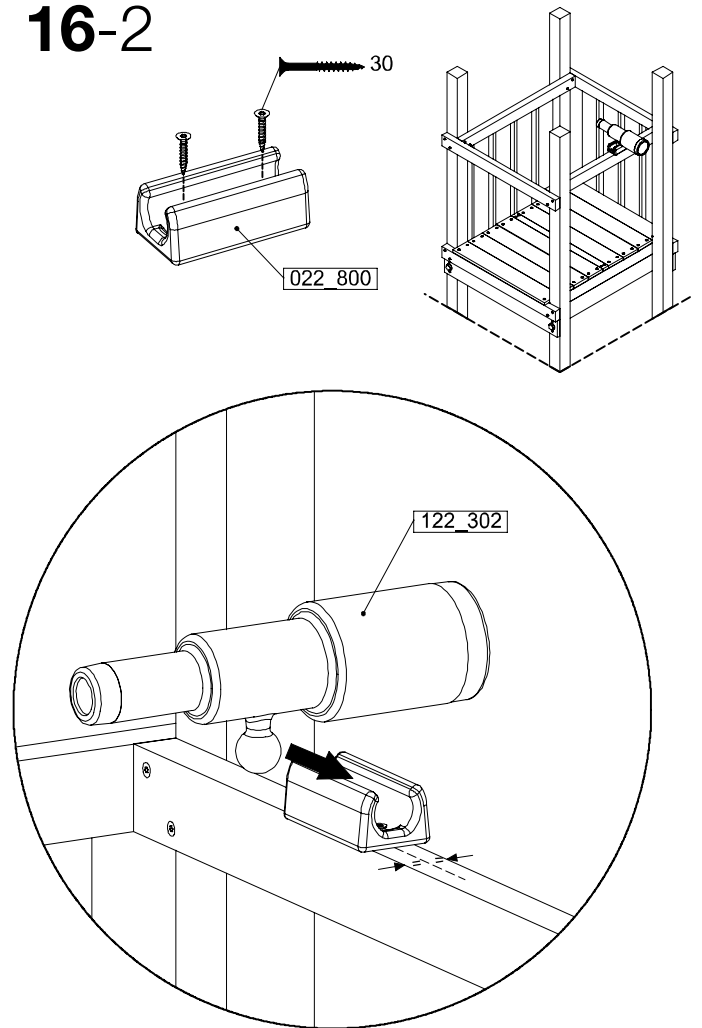


Fireman's Pole (201_275)
040_335 Part 2

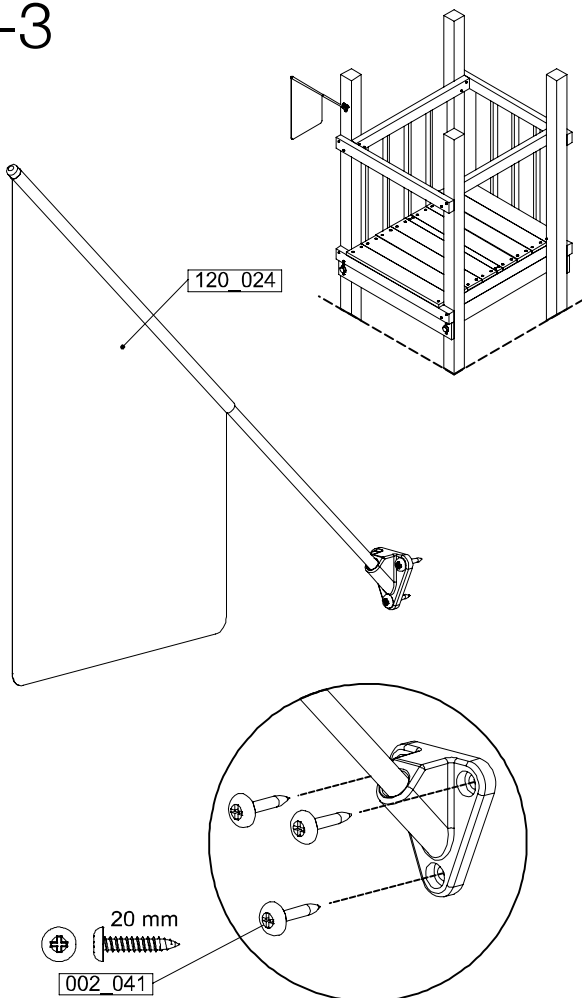
16-1



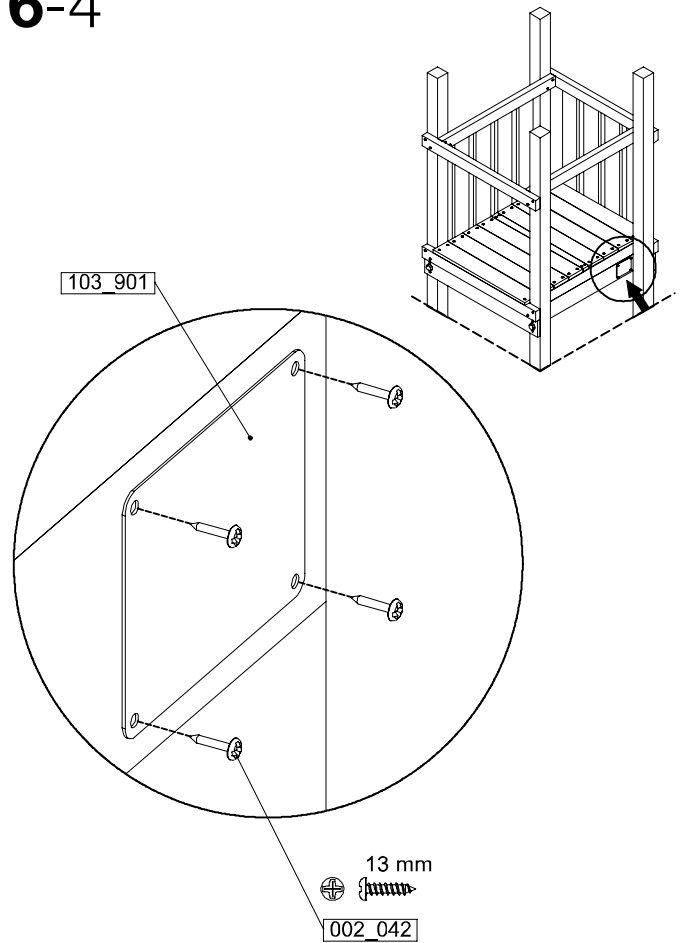
16-2



16-3



16-4

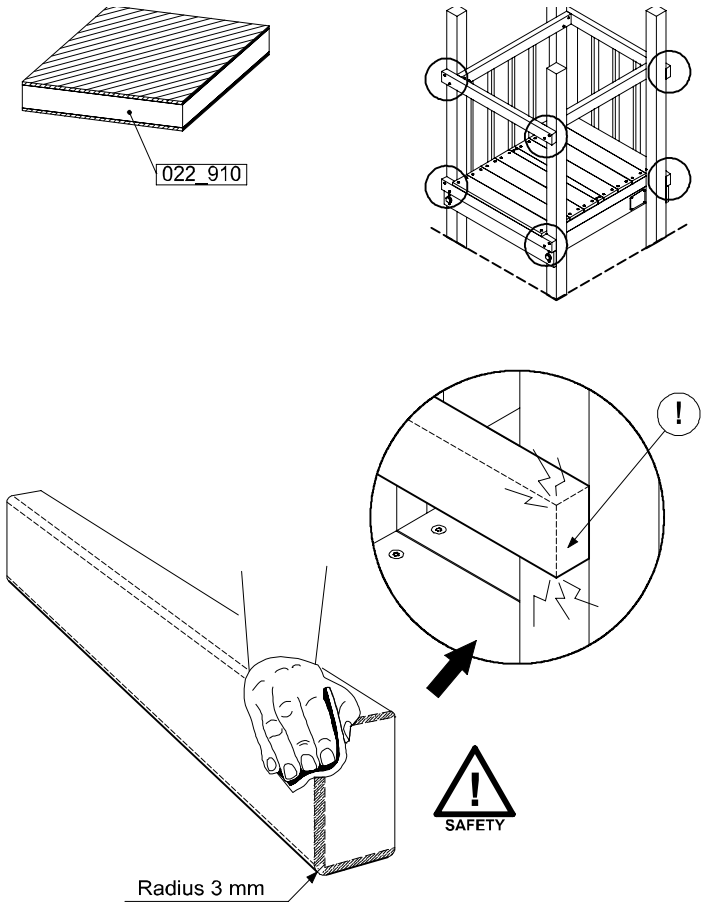


Accessory set - P03 - 24/01/2024 - v5

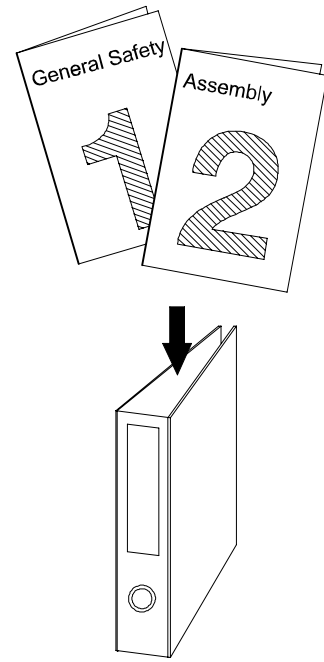
Accessory set - P04 - 24/01/2024 - v5

Manual ID: 04_02_2417

16-5 Safety check



Accessory set - P05 - 28/01/2024 - v5



Manual ID: 04_02_2-17



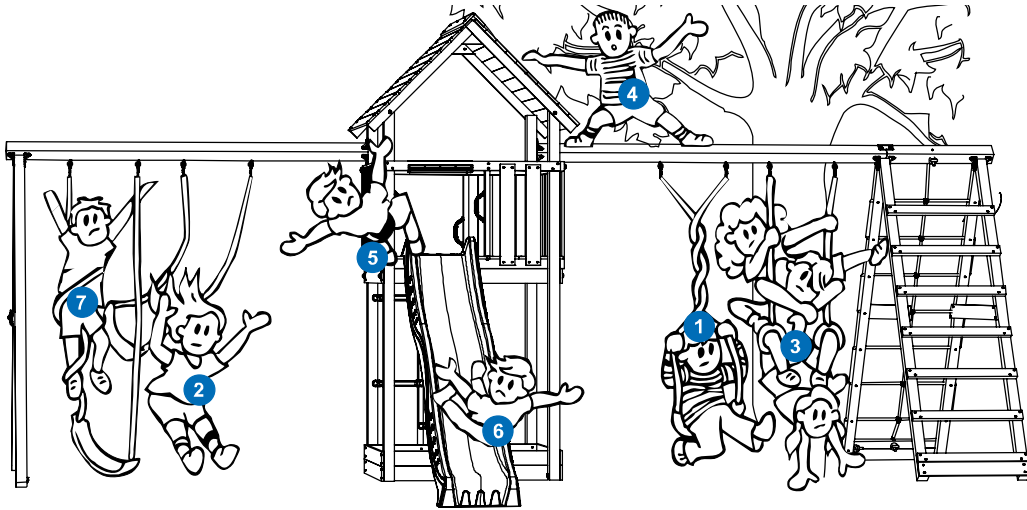
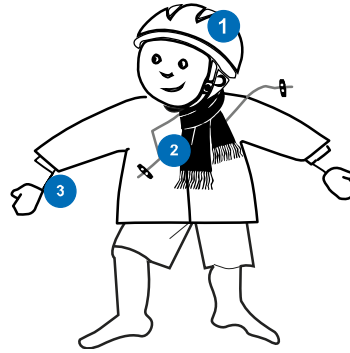
Safe play instructions and safety notices

Sichere Spielanweisungen und Sicherheitswarnungen

Consignes de jeu sécurisé et avis de sécurité




Maximum number of users
Maximale Benutzerzahl
Le nombre maximal d'utilisateurs




Satisfied with the result? We'd love your rating.
Zufrieden mit dem Ergebnis? Teilen Sie Ihre Bewertung.
Satisfait du résultat ? Nous serions ravis de recevoir votre avis.

Review us on




★★★★★

Scan | Click




Google account required

Review us on



★★★★★

Scan | Click



Trustpilot account required