



Top Rated Product

 **4.5**

★★★★★

verified by Trustindex 

# Assembly instructions

Activity toys to be assembled by adults for outdoor domestic use.

## Montageanleitung

Aktivitätsspielzeug zum Selbstaufbau für den häuslichen Außenbereich.

## Instructions de montage

Jouet d'activité à assembler pour une utilisation familial en extérieur

# 2

PART

00\_assembly\_instructions

Design Code : **NPHoRQ**  
 Article Number : **211027**  
 Product Name : **Jungle Chalet 2.1**  
 Audit ID : **801\_013**



Manual ID: 040\_013\_2419


3D | 360° View




# Jungle Gym

BACKYARD PLAYGROUNDS

since 1988

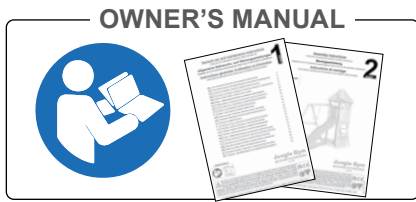
Assembly time ca.  **6.0** hours by 2 adults

 **EN.** Warning! Only for domestic use. Maximum number of users is **7**. **DE.** Achtung! Nur für den Hausgebrauch. Maximale Benutzerzahl: **7**. **FR.** Attention! Réserve à un usage familial. Le nombre maximal d'utilisateurs est de **7**. **BG.** Внимание! За употреба само в домашни условия. Максималният брой потребители е **7**. **CS.** Varování! Jen pro domácí použití. Maximální počet uživatelů je **7**. **DA.** Advarsler! Kun til privat brug. Maksimum antal brugere er **7**. **EL.** Προειδοποίηση! Μόνο για οικιακή χρήση. Μέγιστος αριθμός χρηστών **7**. **ES.** Advertencias! Sólo para uso doméstico. Número máximo de usuarios: **7**. **ET.** Hoiatused! Ainult koduseks kasutamiseks. Maksimaalne kasutajate arv on **7**. **FI.** Varoitukset! Ainoastaan kotikäyttöön. Käyttäjää yhteensä enintään **7**. **HR.** Upozorenja! Samo za uporabu u domu. Maksimalan broj korisnika je **7**. **HU.** Figyelmeztetések! Csak otthoni használatra! A használók max. száma: **7**. **IS.** Varnaðarorð! Eingöngu fyrir einkanoðkun í heimahúsum og á einkalóum. Hámarksfjöldi notenda er **7**. **IT.** Avvertenze! Solo per uso domestico. Massimo numero di utenti è **7**. **LT.** Dėmesio! Tik builiniam naudojimui. Maksimalus naudotojų skaičius **7**. **LV.** Brīdinājumi. Izmantot tikai mājās. Maksimālais lietotāju skaits ir **7**. **NL.** Waarschuwing! Uitsluitend voor huishoudelijk gebruik. Het maximale aantal gebruikers is **7**. **NO.** Advarsler! Kun for privat bruk. Maksimalt antall brukere er **7**. **PL.** Ostrzeżenia! Wyłącznie do użytku domowego. Maksymalna liczba użytkowników to **7**. **PT.** Avisos! Apenas para uso doméstico. O número máximo de utilizadores é **7**. **RO.** Avertismente! Numai pentru uz domestic. Numărul maxim de utilizatori este **7**. **SK.** Upozornenia! Iba na domáce použítie. Maximálne množstvo osôb je **7**. **SL.** Opozorila! Samo za domačo uporabo. Maksimalno število uporabnikov je **7**. **SV.** Varningar! Endast för hemmabruk. Det maximala antalet användare är **7**.





# Safety symbols Sicherheitssymbole Symboles de sécurité



**Important:** Before assembling and using this product, please carefully read the provided Use- and maintenance instructions (Part 1) and assembly instructions (Part 2) thoroughly.

**Wichtig:** Lesen Sie vor der Montage und Benutzung dieses Produkts die beiliegende Gebrauchs- und Wartungsanweisungen (Teil 1) und die Montageanleitung (Teil 2) sorgfältig durch.

**Important:** Avant de monter et d'utiliser ce produit, veuillez lire attentivement. Conseils d'utilisation et d'entretien (Partie 1) et les instructions de montage (Partie 2).



**Mandatory provisions**  
Gebotsbestimmungen  
Dispositions obligatoires



1-5  
**Warnings!**  
Achtung!  
Attention!



1-12  
**Potential hazards**  
Potenzielle Gefahren  
Dangers potentiels



1-7  
**Installation and safety notices**  
Installations- und Sicherheitshinweise  
Instructions d'installation et de sécurité



1-14  
**Assembly and safety notices**  
Montage- und Sicherheitshinweise  
Instructions de montage et de sécurité



1-7  
**Safe play instructions and safety notices**  
Sichere Spielanweisungen und Sicherheitswarnungen  
Consignes de jeu sécurisé et avis de sécurité



## Customer service Kundendienst Service client



 [Frequently Asked Questions](#)

 [Häufig gestellte Fragen](#)

 [Foire aux questions](#)

 [Veelgestelde Vragen](#)



 EU +31 85 44 44 102 \*

[info@junglegym.com](mailto:info@junglegym.com)

[www.junglegym.com](http://www.junglegym.com)

[instagram.com/junglegymofficial](https://www.instagram.com/junglegymofficial)

\* International phone charges may apply.

**Availability:**

**Monday – Thursday:**

CET 09:00 AM – 04:00 PM

**Friday:**

CET 09:00 AM – 01:00 PM



# Preparation Vorbereitung Préparation



**Complete composition and delivery overview**  
**Vollständige Zusammensetzung und Lieferübersicht**  
**Aperçu complet de la composition et de la livraison**



8



OR



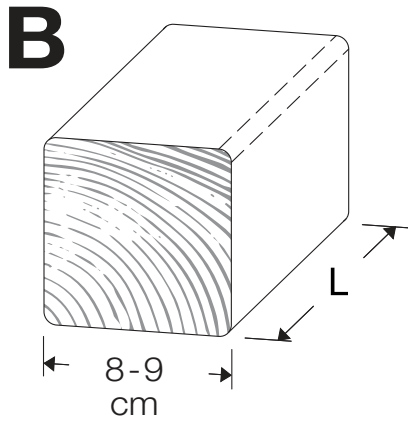
To avoid danger of suffocation, please keep the bag away from children.  
 Um Erstickungsgefahr zu vermeiden, halten Sie die Tüte bitte von Kindern fern.  
 Pour éviter tout risque d'étouffement, gardez le sac hors de portée des enfants.

Choking hazard – may not be suitable for children under 3 years.  
 Erstickungsgefahr – möglicherweise nicht geeignet für Kinder unter 3 Jahren.  
 Risque d'étouffement – peut ne pas convenir aux enfants de moins de 3 ans.

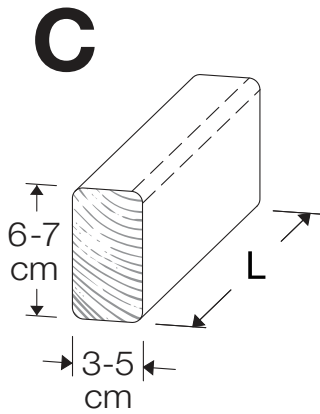


#	Print ID	Description	FFC ID
1	BT20a	Base Tower 140_270270_145	701_013
1	ET27a	Extension Tower 14080_220_145	
1	RF15a	Roof Timber Slope 140	
1	BL05a	Balustrade 140_ U	
1	BL06a	Balustrade 140_ T	
1	BL10a	Balustrade 70/140_ T R	
2	BL21a	Balustrade 14080_ U 9x9	
1	RW19a	Rock wall 70/140_145 T L	
1	LA25a	Ladder 70/140_145 T L	
1	SL29a	Slide Frame 70/140_145 T R	
1	AC01a	Accessories Set	
1	334_x00	Wavy Star Slide XXL	334_x00

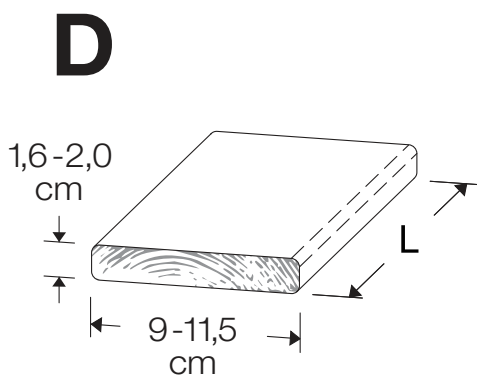
Timber parts list  
 Stückliste Holzteile  
 Liste des pièces en bois



B220	219 cm - 220 cm	2
B270	269 cm - 270 cm	4



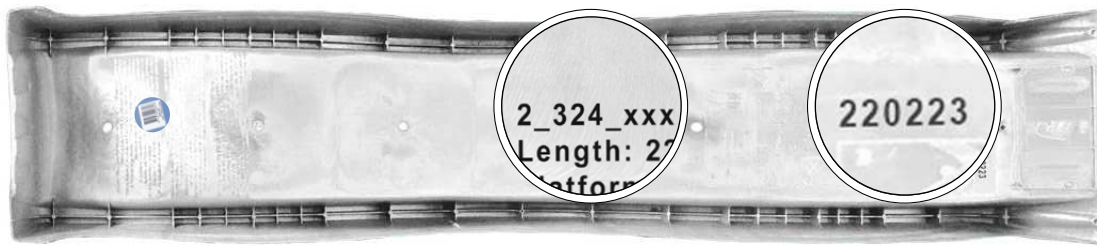
C70	69 cm - 70 cm	3
C74	73 cm - 74 cm	6
C96	95 cm - 96 cm	4
C141	140 cm - 141 cm	11
C150	149 cm - 150 cm	2
C206	205 cm - 206 cm	1



D65	64 cm - 65 cm	32
D74	73 cm - 74 cm	6
D123	122 cm - 123 cm	27
D141	140 cm - 141 cm	15
D154	153 cm - 154 cm	24

Slide registration  
Rutschenregistrierung  
Enregistrement du toboggan

Article №: + Color ID: + LOT: ID:



- = 100
- = 200
- = 300
- = 400
- = 500
- = 600

Example

No.:	Color ID:	LOT ID:
2 3 2 4	2 0 0	2 2 0 2 2 3
1. [shaded]	[shaded]	[shaded]
2. [shaded]	[shaded]	[shaded]
3. [shaded]	[shaded]	[shaded]
4. [shaded]	[shaded]	[shaded]

Hardware kit, pack and/or accessory registration  
Registrierung von Hardware-Kits, Paketen und/oder Zubehör  
Enregistrement du kit matériel, du pack et/ou des accessoires

Article №: + LOT ID:



OR

LOT ID:



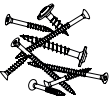

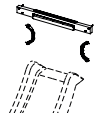




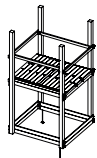
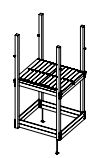
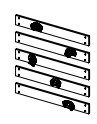
Example

No.:	LOT:
1 2 3 4 5 6	2 7 1 1
1. [shaded]	[shaded]
2. [shaded]	[shaded]
3. [shaded]	[shaded]
4. [shaded]	[shaded]

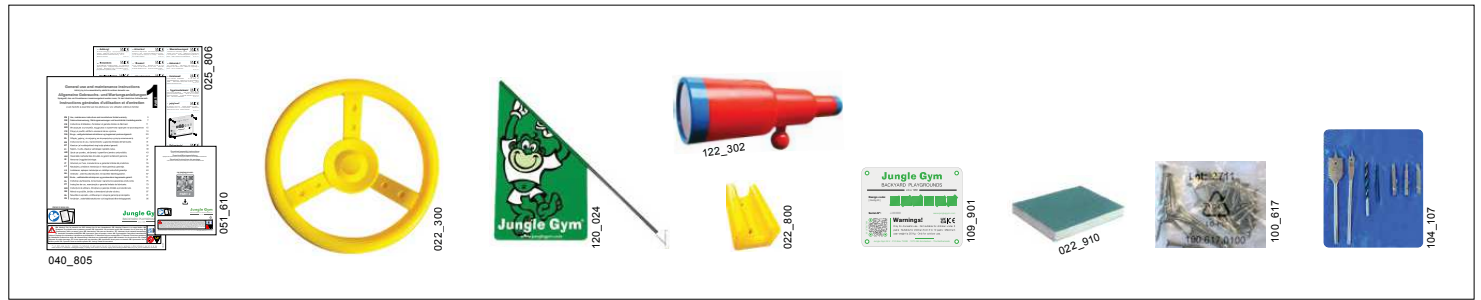
Example

LOT:
AP Manual & Accessory set
AC
№ 194_119
1x
LOT: 2 7 1 1

**Hardware package and accessory registration**  
**Hardwarebeutel- und Zubehörregistrierung**  
**Enregistrement du sachet de quincaillerie et des accessoires**

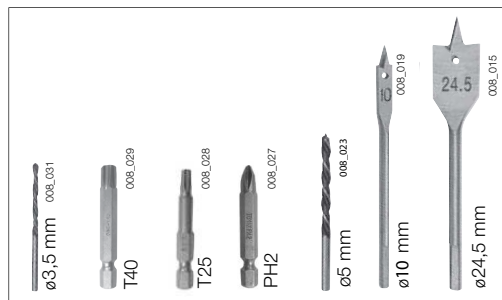
<p>Hardware 01</p>  <p><b>H01</b></p> <p>Nº 194_101</p> <p><b>3x</b></p> <p>LOT: <input type="checkbox"/> <input type="checkbox"/> <input type="checkbox"/> <input type="checkbox"/> <input type="checkbox"/> <input type="checkbox"/> <input type="checkbox"/> <input type="checkbox"/> <input type="checkbox"/> <input type="checkbox"/></p>	<p>AP Manual &amp; Accessory set</p>  <p><b>AC</b></p> <p>Nº 194_119</p> <p><b>1x</b></p> <p>LOT: <input type="checkbox"/> <input type="checkbox"/> <input type="checkbox"/> <input type="checkbox"/> <input type="checkbox"/> <input type="checkbox"/> <input type="checkbox"/> <input type="checkbox"/> <input type="checkbox"/> <input type="checkbox"/></p>	<p>Slide Frame</p>  <p><b>SL</b></p> <p>Nº 194_107</p> <p><b>1x</b></p> <p>LOT: <input type="checkbox"/> <input type="checkbox"/> <input type="checkbox"/> <input type="checkbox"/> <input type="checkbox"/> <input type="checkbox"/> <input type="checkbox"/> <input type="checkbox"/> <input type="checkbox"/> <input type="checkbox"/></p>	<p>Hardware 03</p>  <p><b>H03</b></p> <p>Nº 194_501</p> <p><b>2x</b></p> <p>LOT: <input type="checkbox"/> <input type="checkbox"/> <input type="checkbox"/> <input type="checkbox"/> <input type="checkbox"/> <input type="checkbox"/> <input type="checkbox"/> <input type="checkbox"/> <input type="checkbox"/> <input type="checkbox"/></p>	<p>Hardware 04</p>  <p><b>H04</b></p> <p>Nº 194_804</p> <p><b>1x</b></p> <p>LOT: <input type="checkbox"/> <input type="checkbox"/> <input type="checkbox"/> <input type="checkbox"/> <input type="checkbox"/> <input type="checkbox"/> <input type="checkbox"/> <input type="checkbox"/> <input type="checkbox"/> <input type="checkbox"/></p>
<p>Ladder 145</p>  <p><b>LA</b></p> <p>Nº 194_004</p> <p><b>1x</b></p> <p>LOT: <input type="checkbox"/> <input type="checkbox"/> <input type="checkbox"/> <input type="checkbox"/> <input type="checkbox"/> <input type="checkbox"/> <input type="checkbox"/> <input type="checkbox"/> <input type="checkbox"/> <input type="checkbox"/></p>	<p>Slide XXL 2.6m</p>  <p><b>1x</b></p> <p>Nº 334_x00</p> <p><b>1x</b></p> <p>LOT: <input type="checkbox"/> <input type="checkbox"/> <input type="checkbox"/> <input type="checkbox"/> <input type="checkbox"/> <input type="checkbox"/> <input type="checkbox"/> <input type="checkbox"/> <input type="checkbox"/> <input type="checkbox"/></p>	<p>Tower 140</p>  <p><b>BT ET</b></p> <p>Nº 194_500</p> <p><b>1x</b></p> <p>LOT: <input type="checkbox"/> <input type="checkbox"/> <input type="checkbox"/> <input type="checkbox"/> <input type="checkbox"/> <input type="checkbox"/> <input type="checkbox"/> <input type="checkbox"/> <input type="checkbox"/> <input type="checkbox"/></p>	<p>Tower 115</p>  <p><b>BT ET</b></p> <p>Nº 194_300</p> <p><b>1x</b></p> <p>LOT: <input type="checkbox"/> <input type="checkbox"/> <input type="checkbox"/> <input type="checkbox"/> <input type="checkbox"/> <input type="checkbox"/> <input type="checkbox"/> <input type="checkbox"/> <input type="checkbox"/> <input type="checkbox"/></p>	<p>Rock Wall</p>  <p><b>RW</b></p> <p>Nº 194_006</p> <p><b>1x</b></p> <p>LOT: <input type="checkbox"/> <input type="checkbox"/> <input type="checkbox"/> <input type="checkbox"/> <input type="checkbox"/> <input type="checkbox"/> <input type="checkbox"/> <input type="checkbox"/> <input type="checkbox"/> <input type="checkbox"/></p>

**Standard Scope of Delivery**  
**Standard-Lieferumfang**  
**Contenu Standard de la Livraison**



194\_119

**Overview bit and drill bit references**  
**Bit-Übersicht und Bohrer-Referenzen**  
**Aperçu des embouts et références de forets**



**Fastening hardware & component references**  
**Befestigungsmaterial und Komponentenreferenzen**  
**Références de fixation et de composants**

		#	L
 ø 5	 T-40	 ø 8.0 mm	001_404 30 mm 001_406 45 mm 001_411 60 mm 001_417 80 mm 001_422 137 mm
		 M8	001_102 30 mm
		 ø 2.0 mm	000_101 20 mm
		 ø 6.3 mm	002_036 16 mm
		 ø 4.5 mm	002_041 20 mm
 ø3.5	 PH-2	 ø 3.5 mm	002_042 13 mm
		 ø 3.9 mm	002_301 40 mm

		#	L	
 ø3.5	 T-25	 ø 5.0 mm	002_308 20 mm 002_219 30 mm 002_220 45 mm 002_223 80 mm	
		 ø10	 M8	004_050 22mm
			 M8	003_010
			 M6	003_034
 ø3.5	 PH-2	 ø 4.5 mm	022_845 Yellow 022_846 Blue 022_847 Green 022_848 Red	
		 ø 3.5 mm	023_031 White	
		 ø 3.9 mm	120_005 White	
		 ø 3.9 mm	022_844 022_314	
		 ø 3.9 mm		



# Registration & warnings

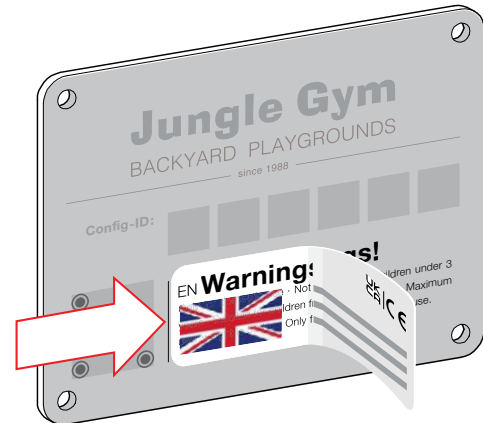
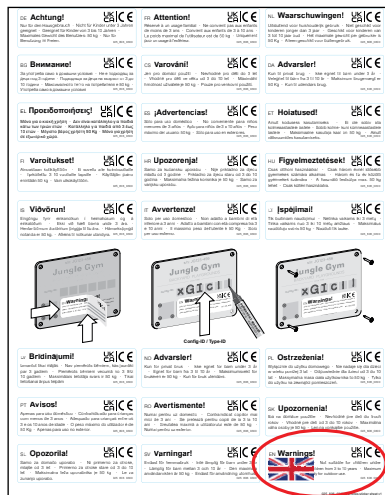
## Registrierung & Warnhinweise

### Enregistrement & avertissements

Climbing frame identification  
Klettergerüst-Identifizierung  
Identification de l'aire de jeux



Use warnings  
Gebrauchswarnungen  
Avertissements d'usage



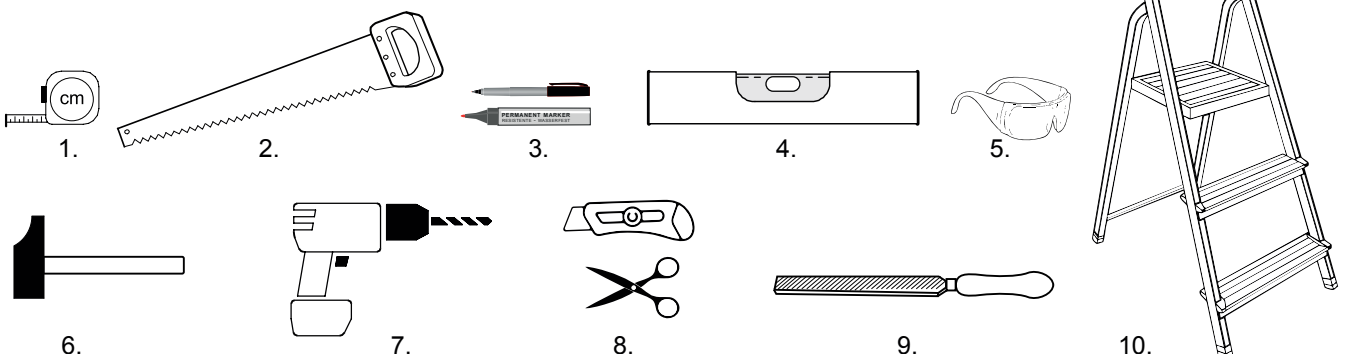
Manual ID: 040\_013\_24119



# Required tools

## Benötigtes Werkzeug

### Outils nécessaires





# Installation and safety notices

## Installations- und Sicherheitshinweise

### Instructions d'installation et de sécurité

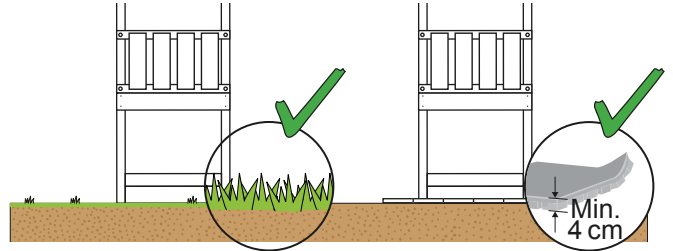
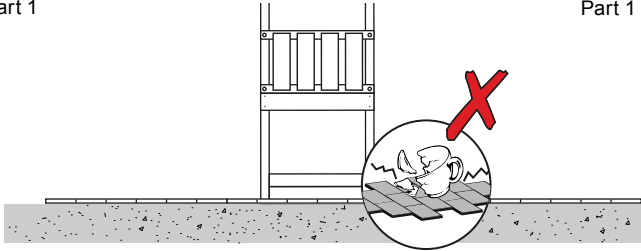


Part 1



6

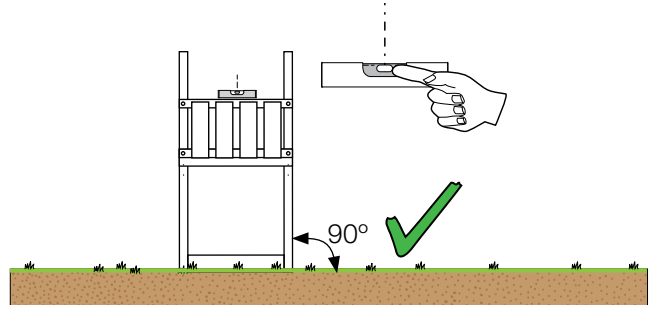
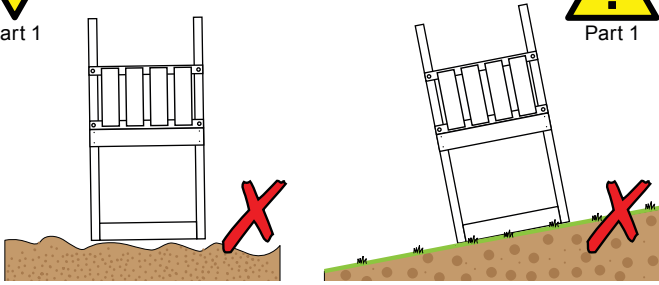
Part 1



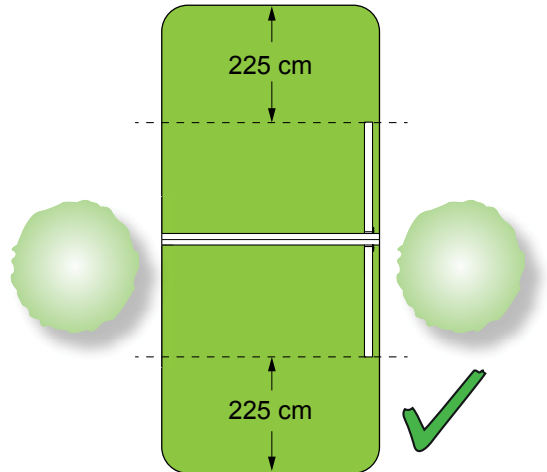
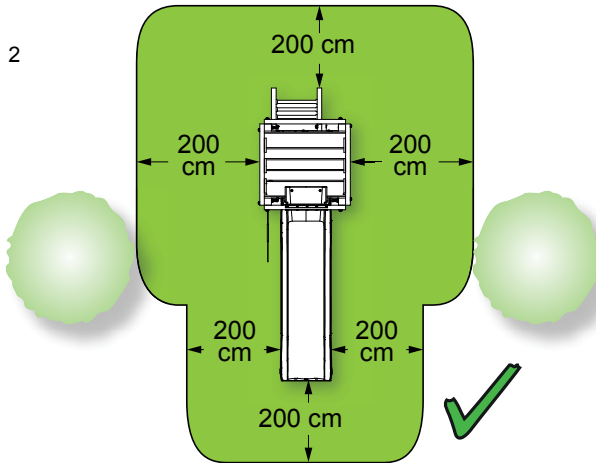
Part 1



Part 1



Part 1

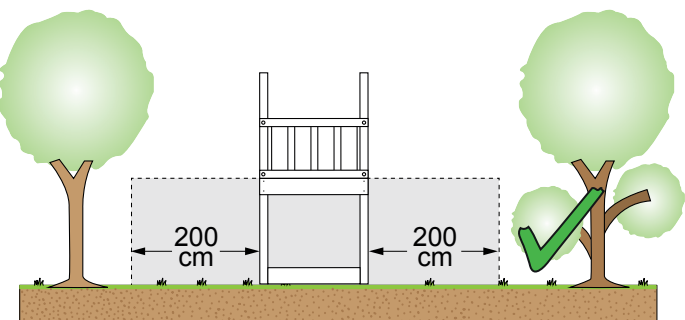
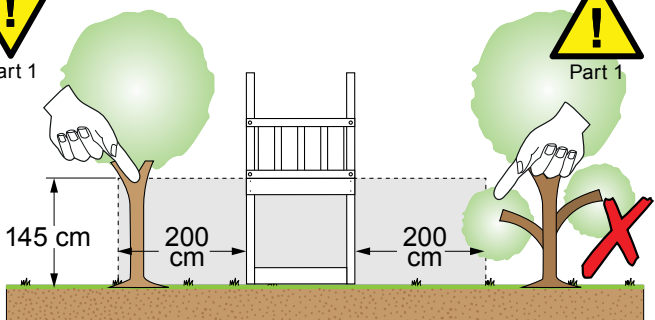


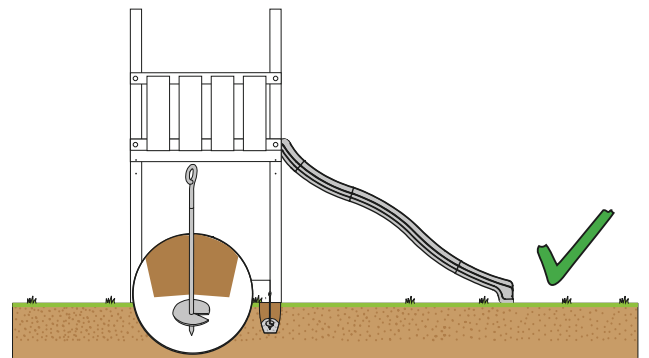
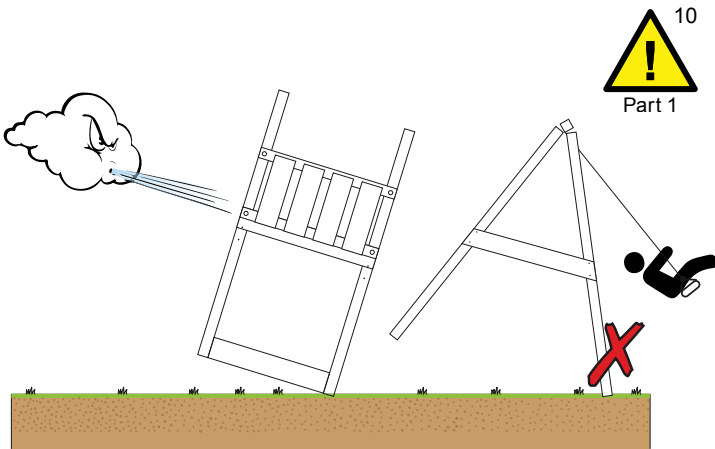
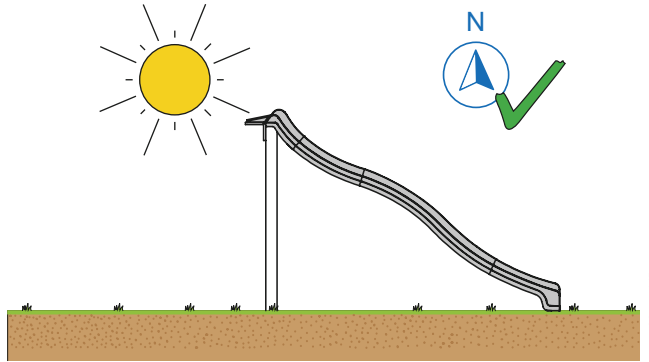
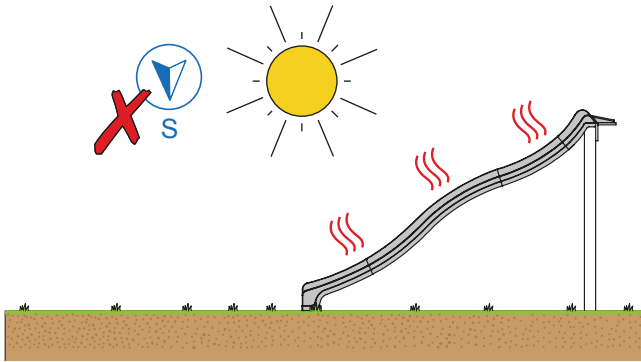
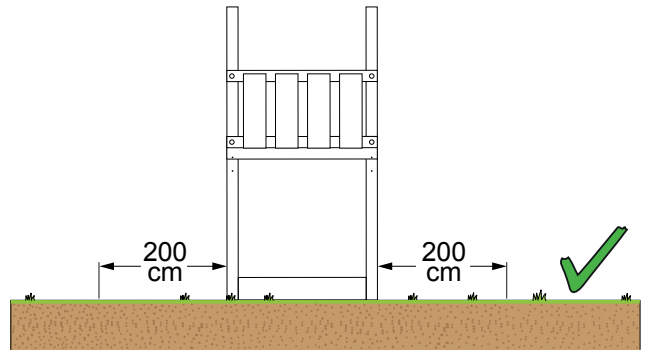
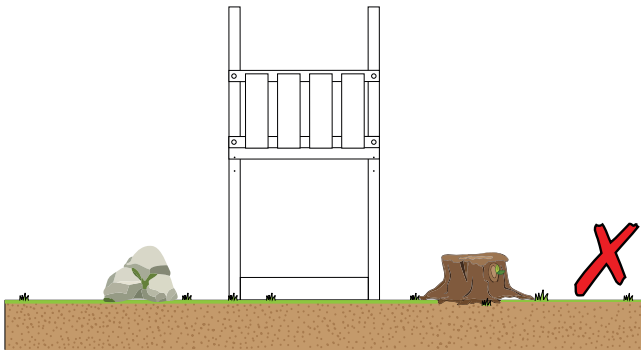
Part 1



Part 1

3 & 6

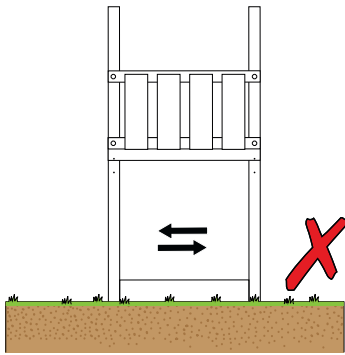




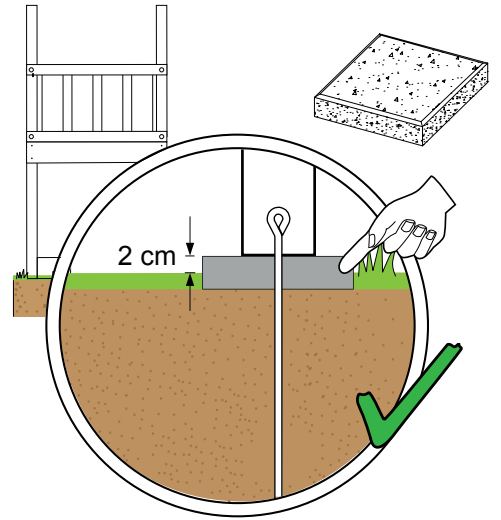
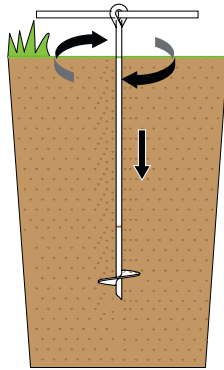
Manual ID: 040\_013\_2419



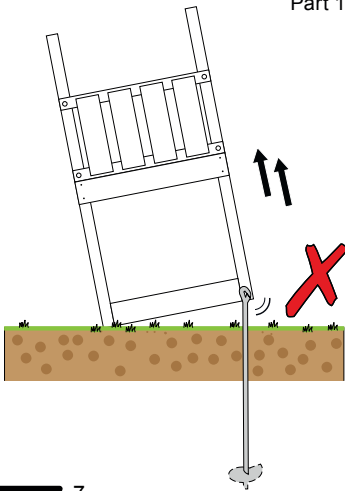
Part 1



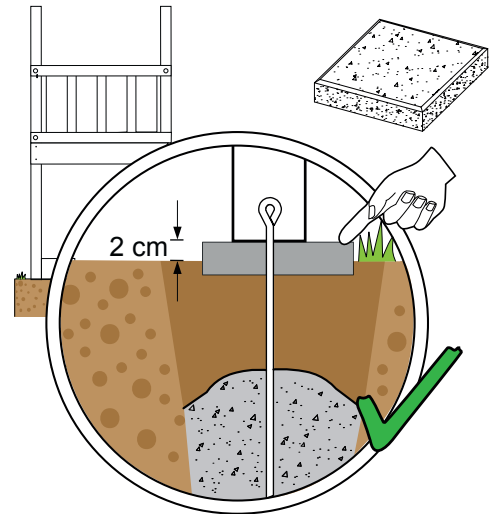
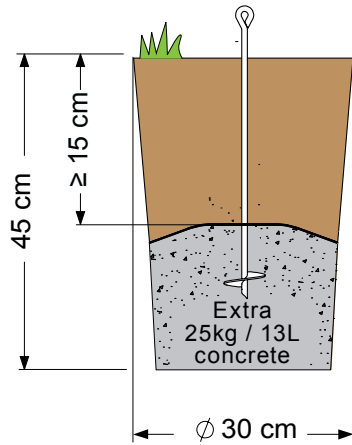
Part 1



Part 1

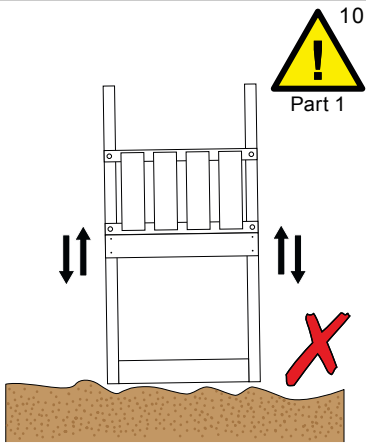


Part 1

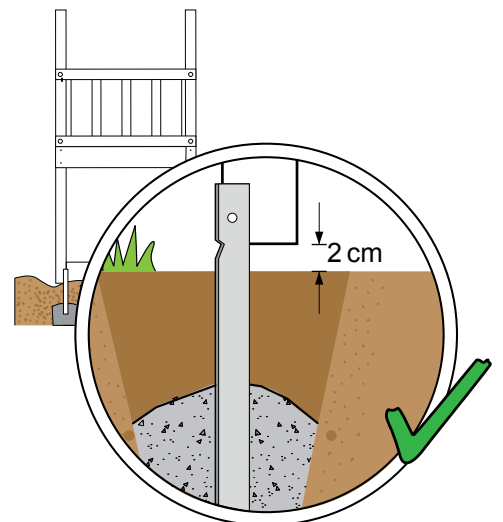
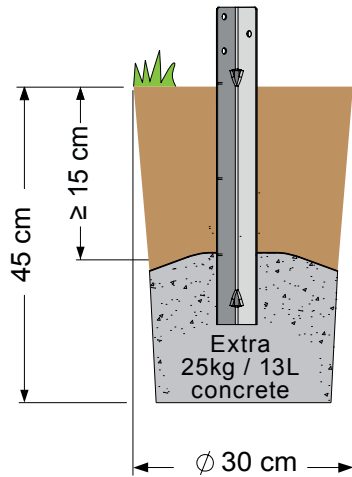


Part 1

### Optional: Post anchors



Part 1

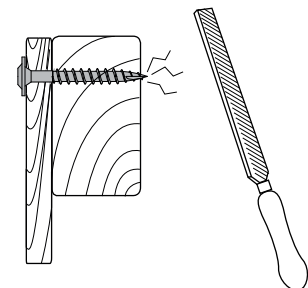
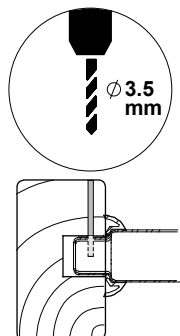
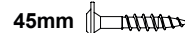
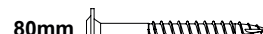
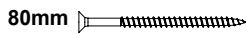
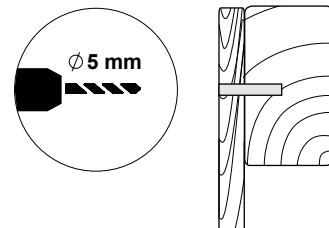
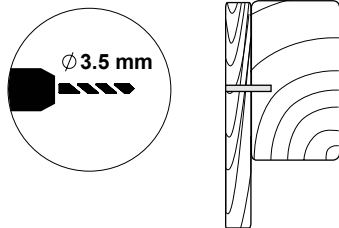
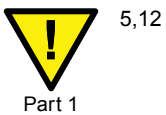
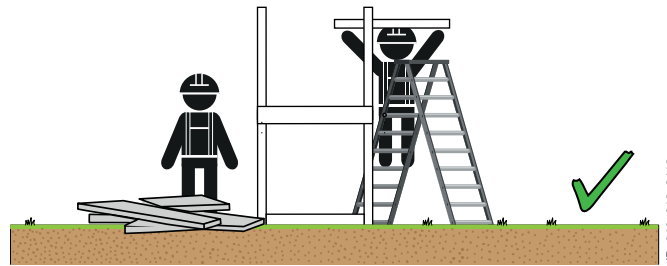
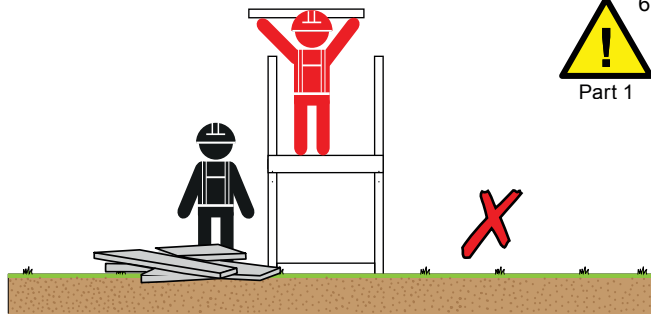
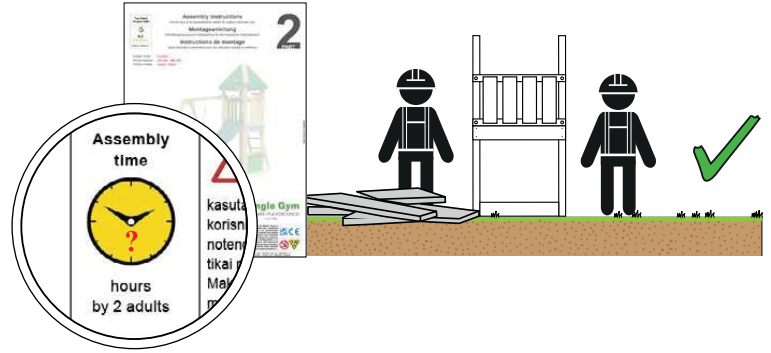
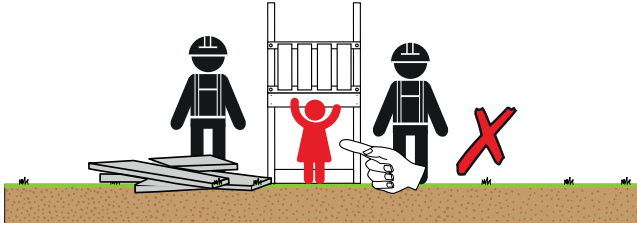
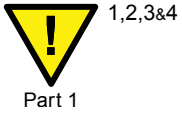




# Assembly and safety notices

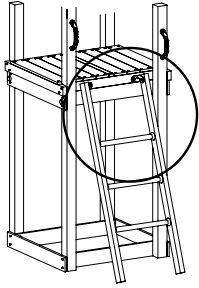
## Montage- und Sicherheitshinweise

### Instructions de montage et de sécurité

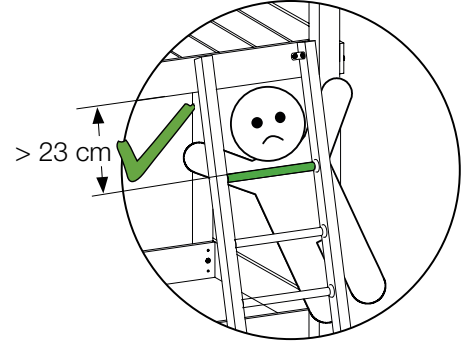
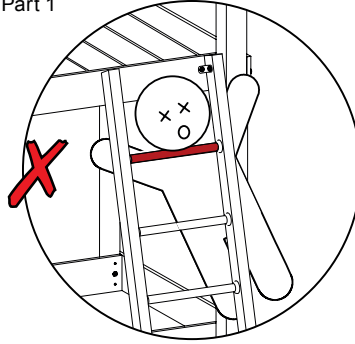




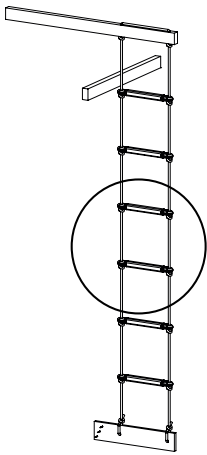
Part 1



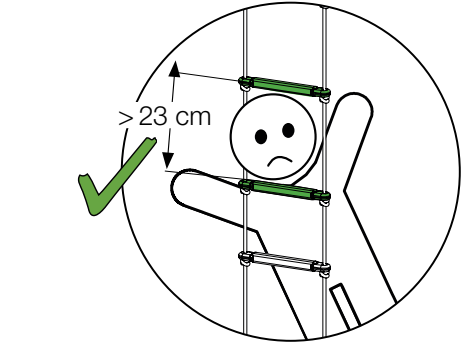
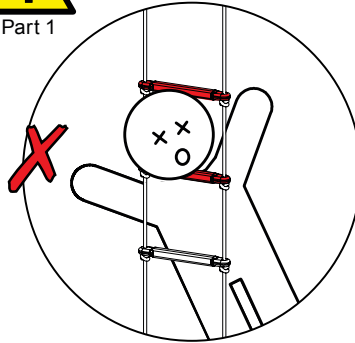
Part 1



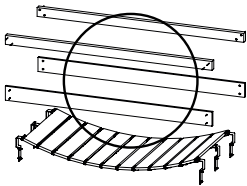
Part 1



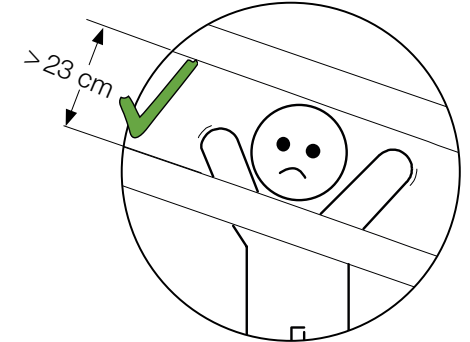
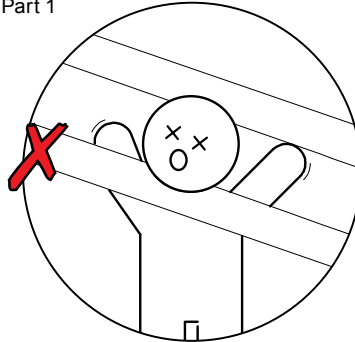
Part 1



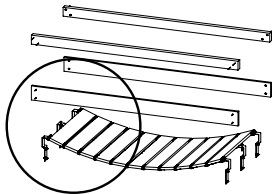
Part 1



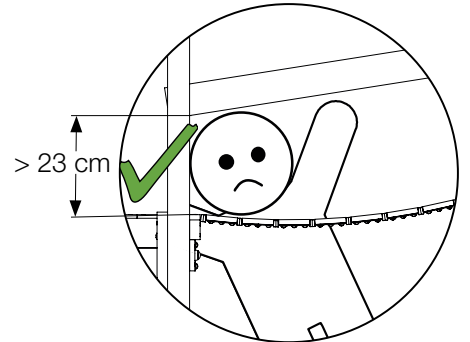
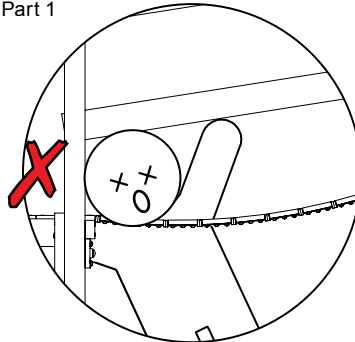
Part 1



Part 1



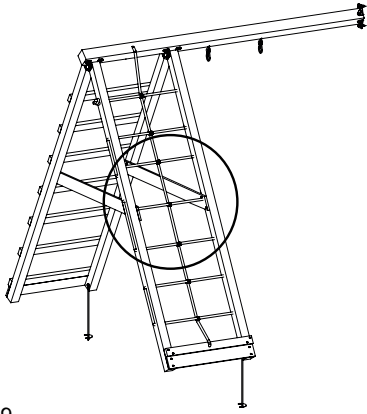
Part 1





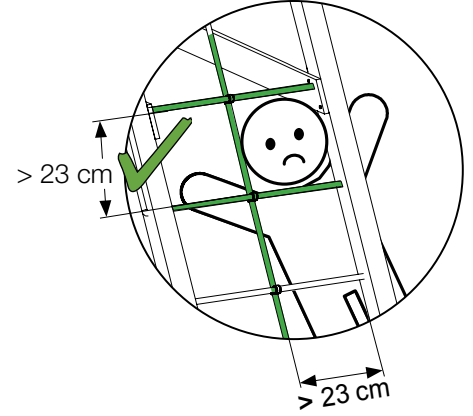
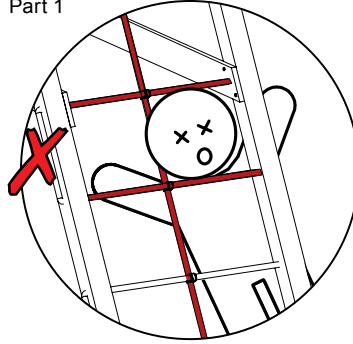
8&9

Part 1



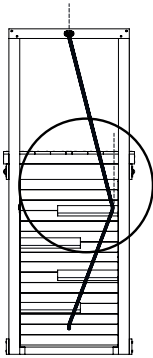
9

Part 1



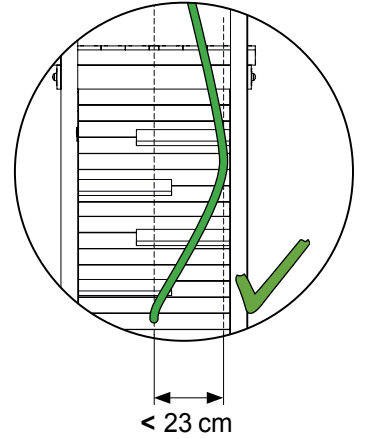
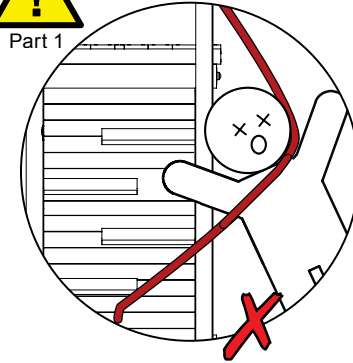
8&9

Part 1



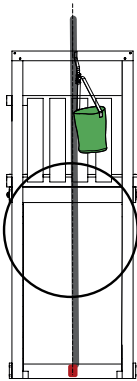
9

Part 1



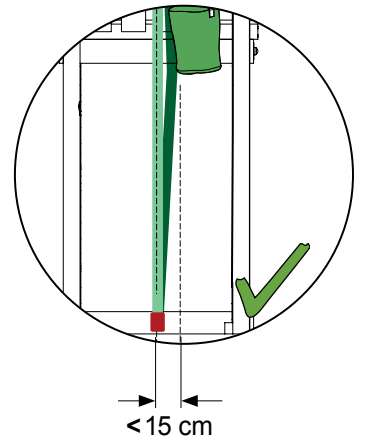
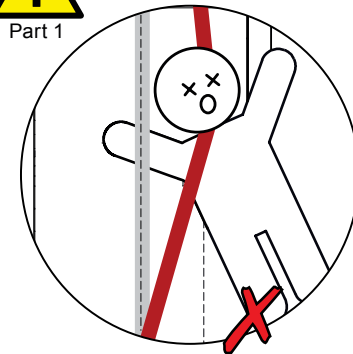
8&9

Part 1



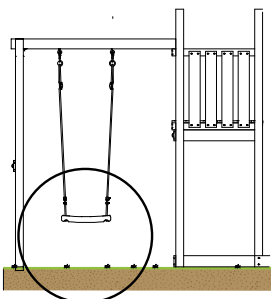
9

Part 1



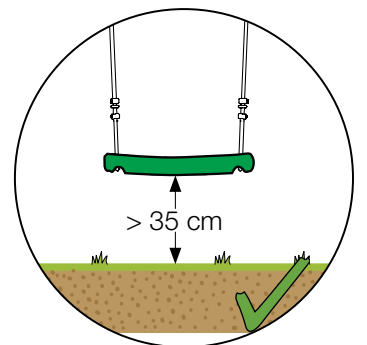
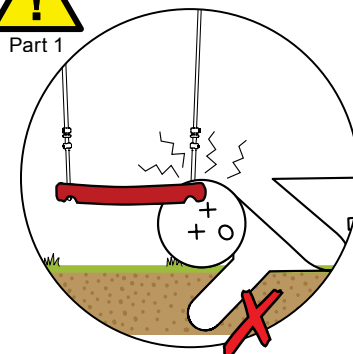
8&9

Part 1



3

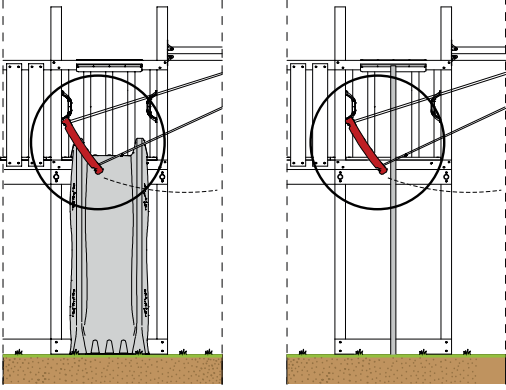
Part 1





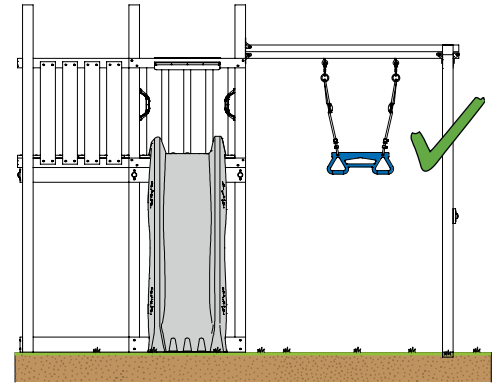
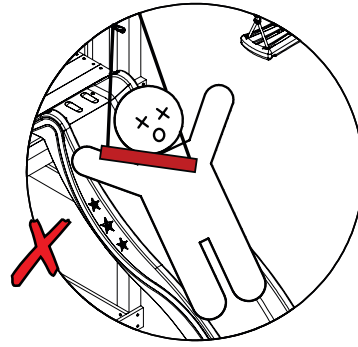
10

Part 1



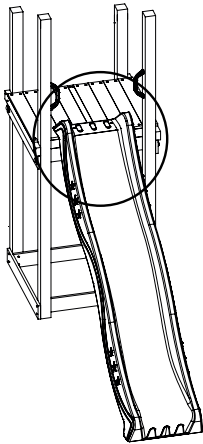
4&9

Part 1



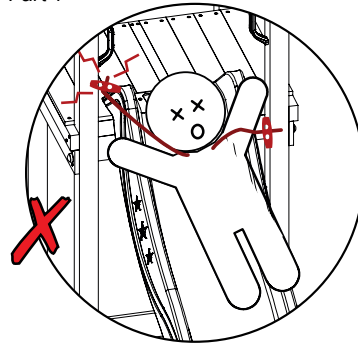
10

Part 1

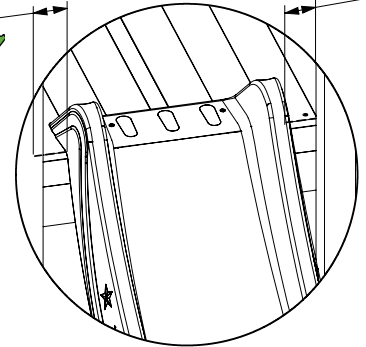


4&9

Part 1



min. 26 mm  
max. 75 mm

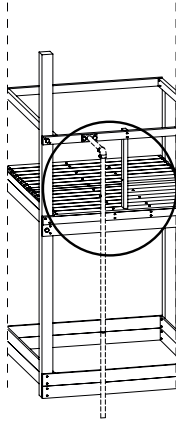


min. 26 mm  
max. 75 mm



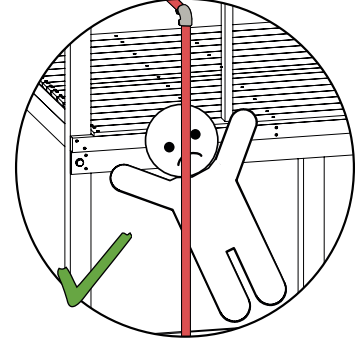
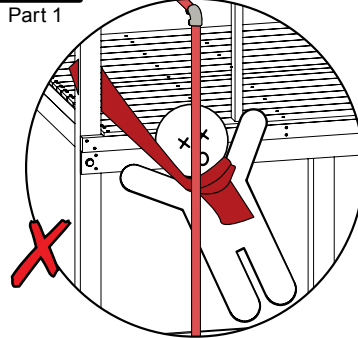
10

Part 1



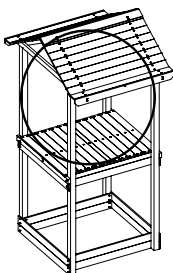
4&9

Part 1



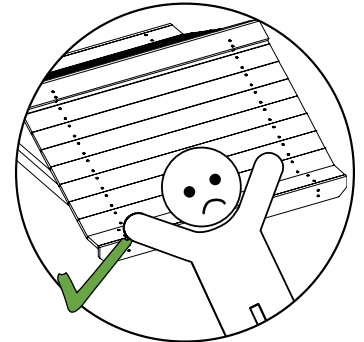
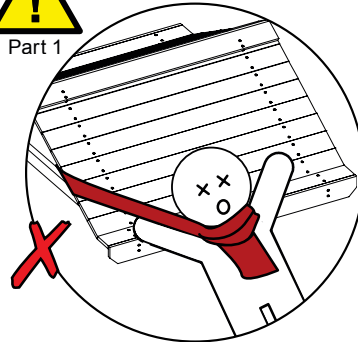
13

Part 1



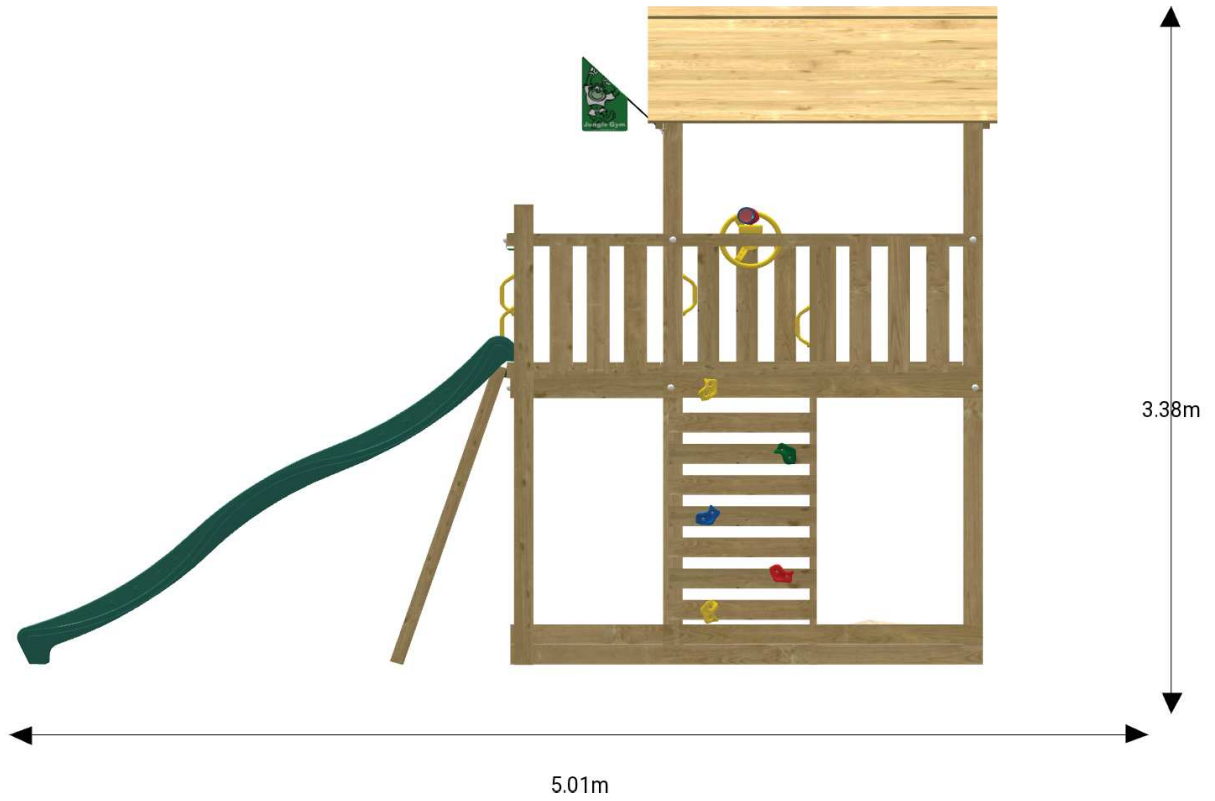
4&9

Part 1



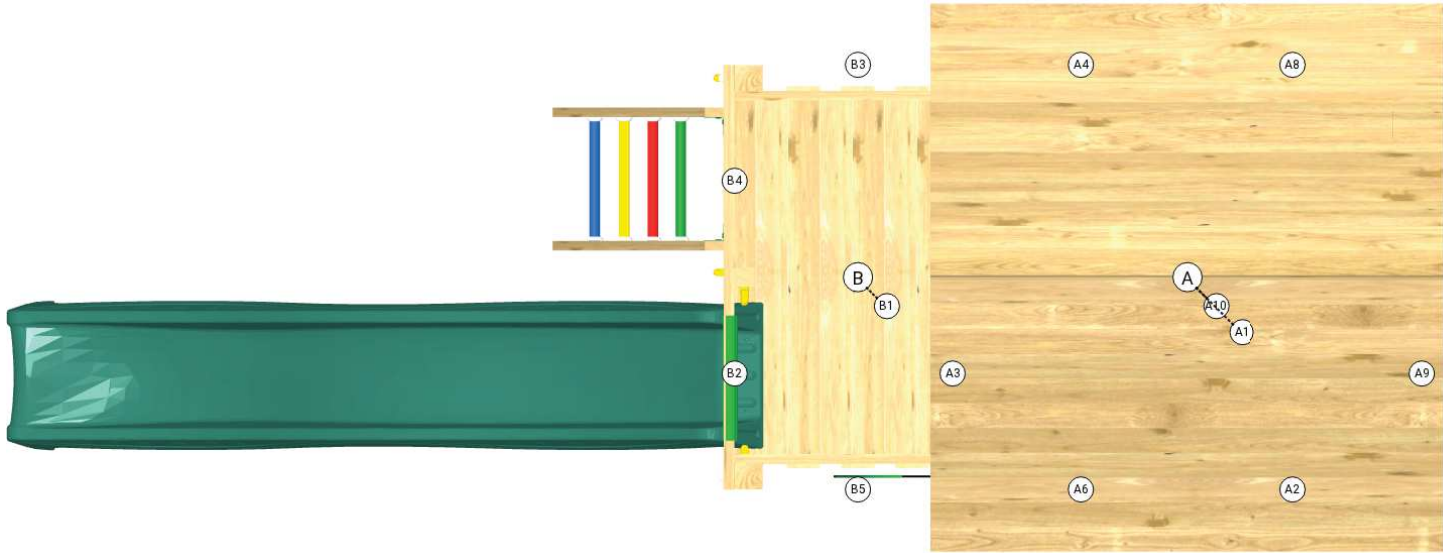


# Dimensions Abmessungen Dimensions





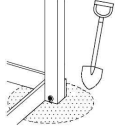
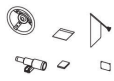




# Assembly sequence Montagereihenfolge Séquence d'assemblage



Step	Print ID	Sub-assembly	Page	Location
1	BT20a		p.19	(A)
2	ET27a		p.22	(A3) (B)
3	BL05a		p.25	(A9)
4	BL06a		p.26	(A8)
5	BL10a		p.27	(A2)
6	BL21a		p.28	(B3) (B5)

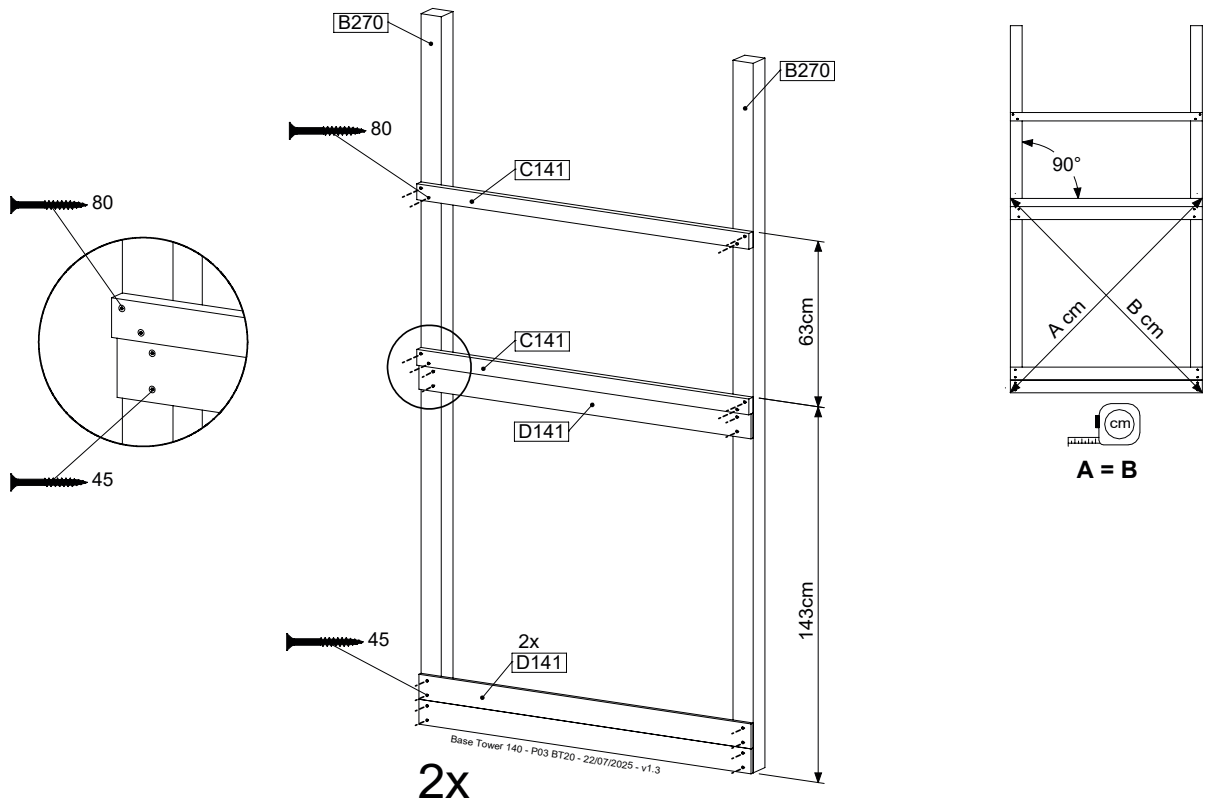
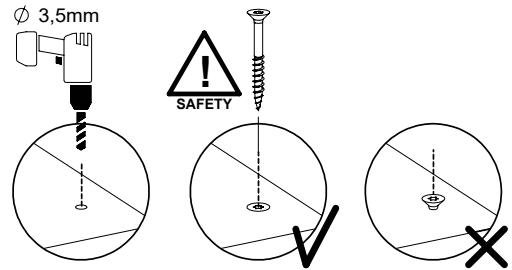
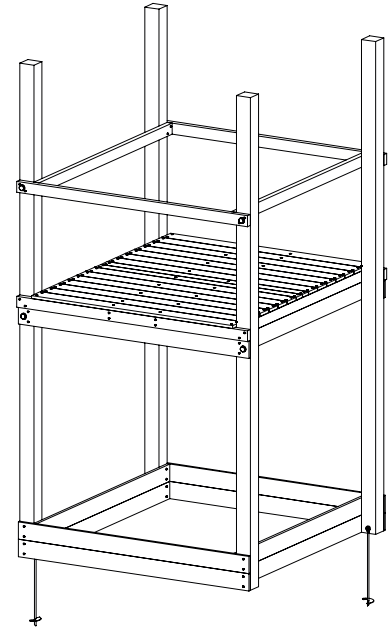
Step	Print ID	Sub-assembly	Page	Location
7	RF15b		p.29	(A10)
8	RW19a		p.32	(A6)
9	LA25a		p.35	(B4)
10	SL29a		p.38	(B2)
11	GA		p.41	(A) (A3) (B)
12	AC01a		p.43	(A)

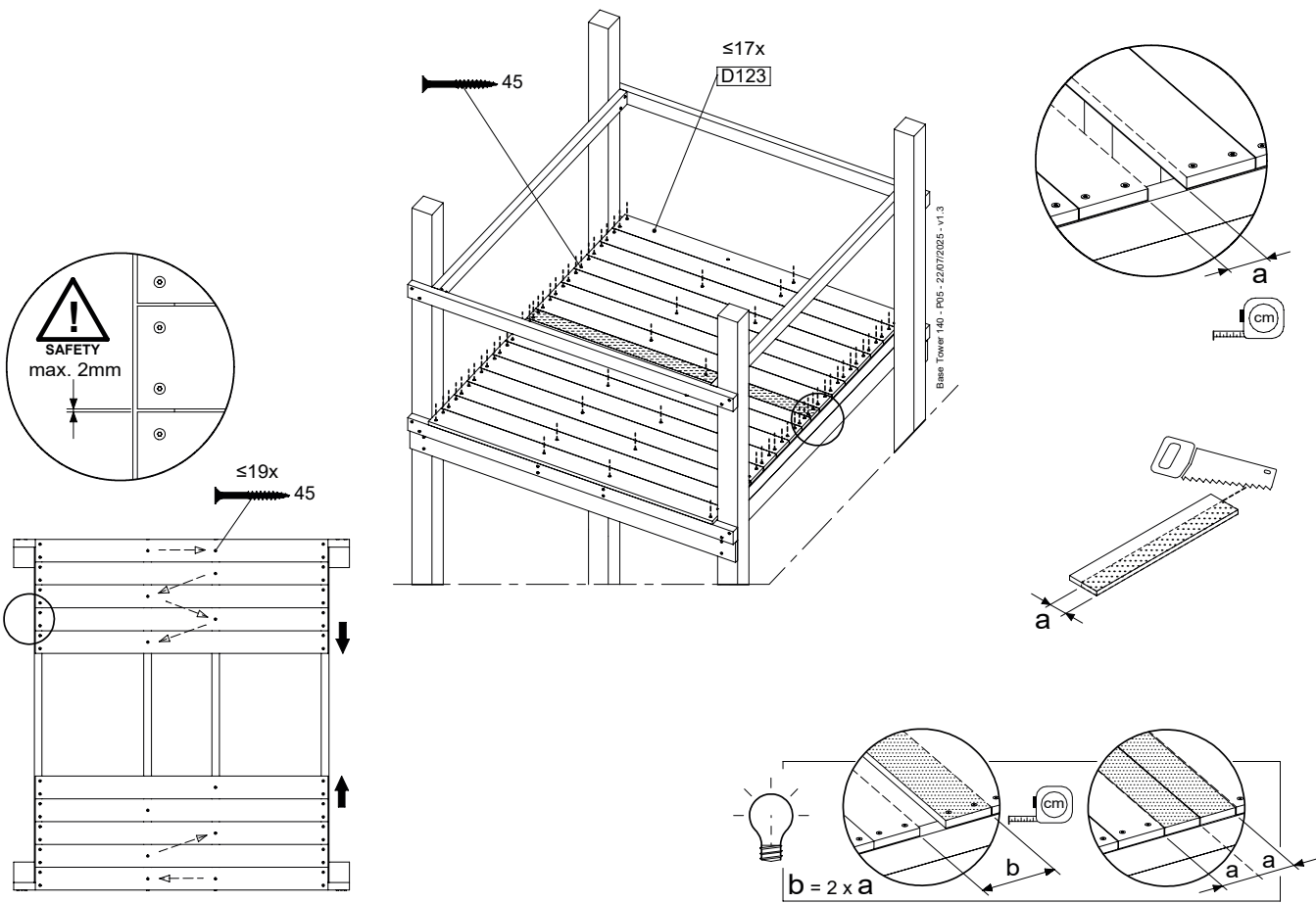
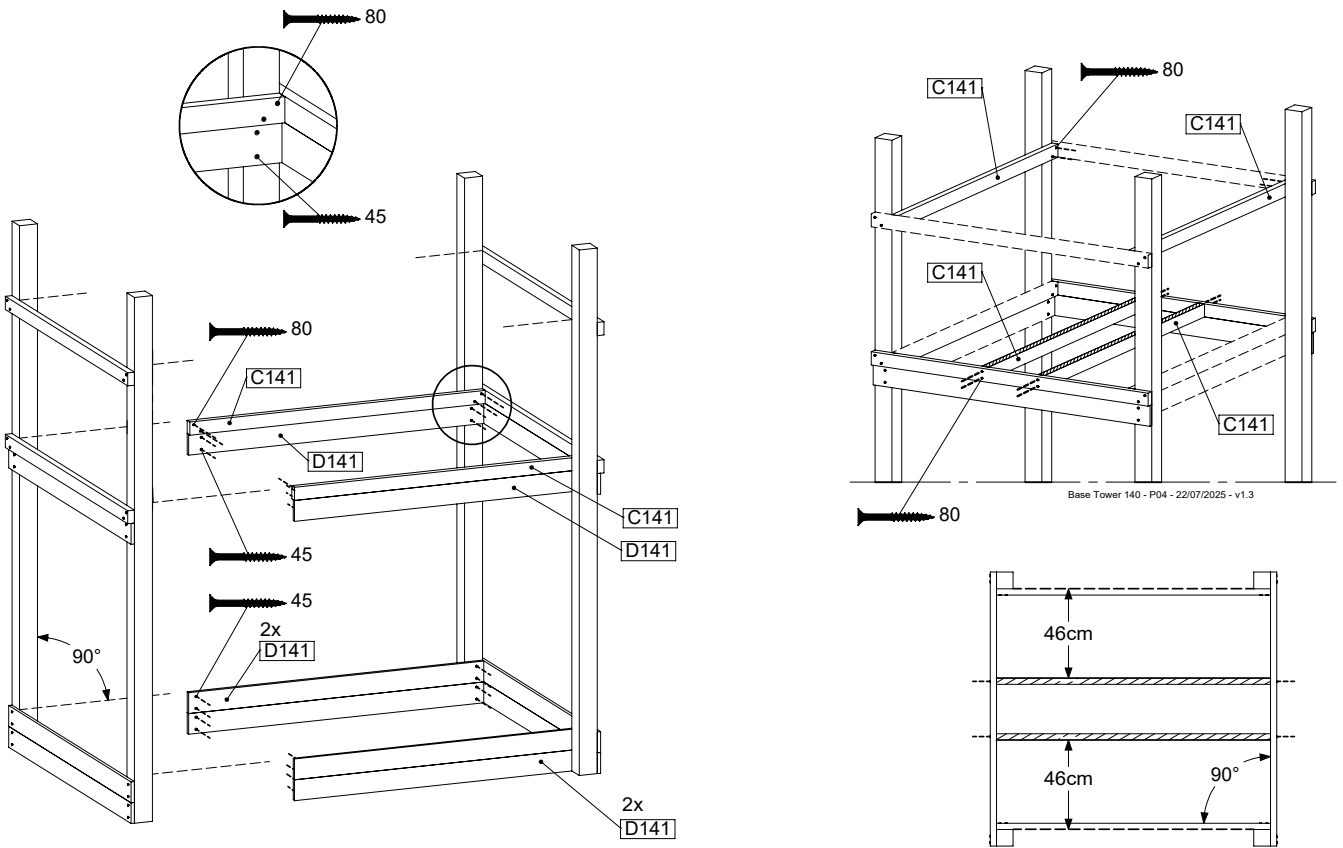
# 1 BT20a: Base Tower 140 145cm 270270

Assembly Pack: 194\_500

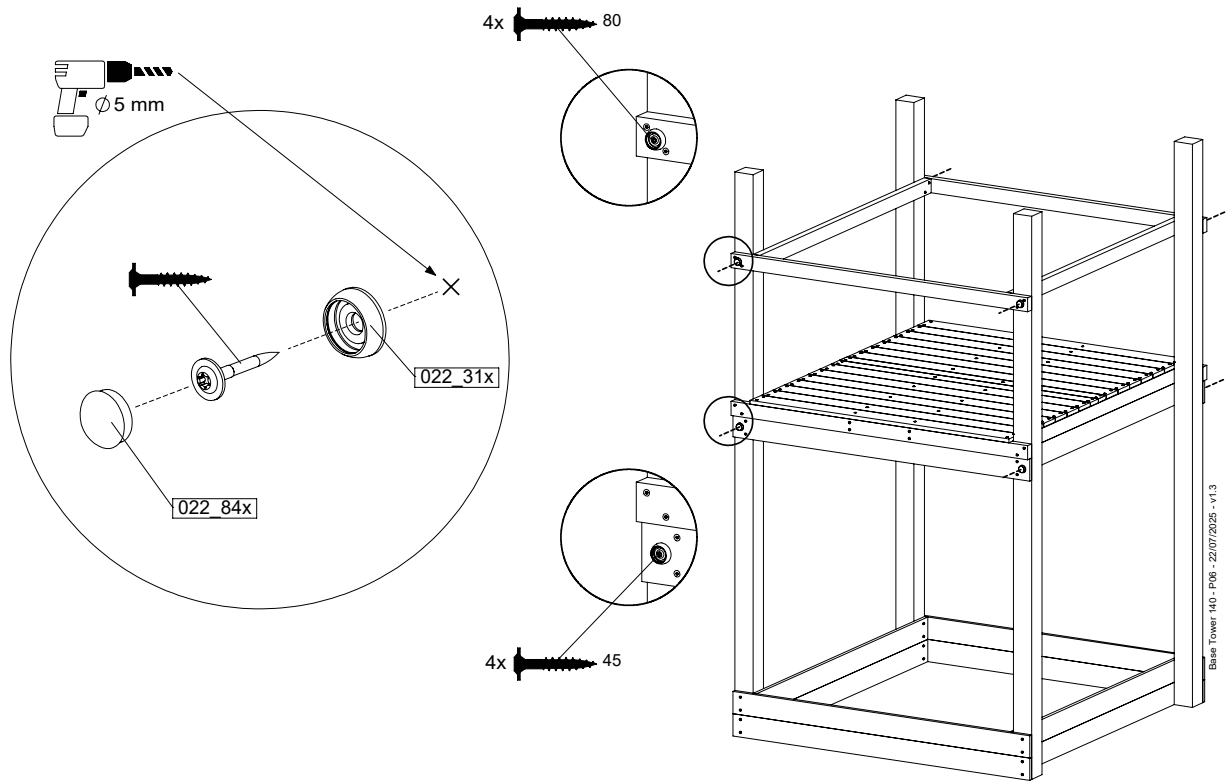
	PartNo	PartName	QTY.
Hardware + Parts	001_406	Stealth Screw 8x45	6
	001_417	Stealth Screw 8x80	4
	002_220	Gap Point Screw T25 - 5x45	135
	002_223	Gap Point Screw T25 - 5x80	40
	007_001	Ground-anchor	2
	022_31x	bpc-base version 3	8
	022_84x	bpc cover	8
Timber	B270	Post ca.90x90 L2700	4
	C141	Beam 1410 mm	10
	D123	Board 1230 mm	17
	D141	Board 1410 mm	12

Base Tower 140 - P02 BT20 - 22/07/2025 - v1.3





# 1.2

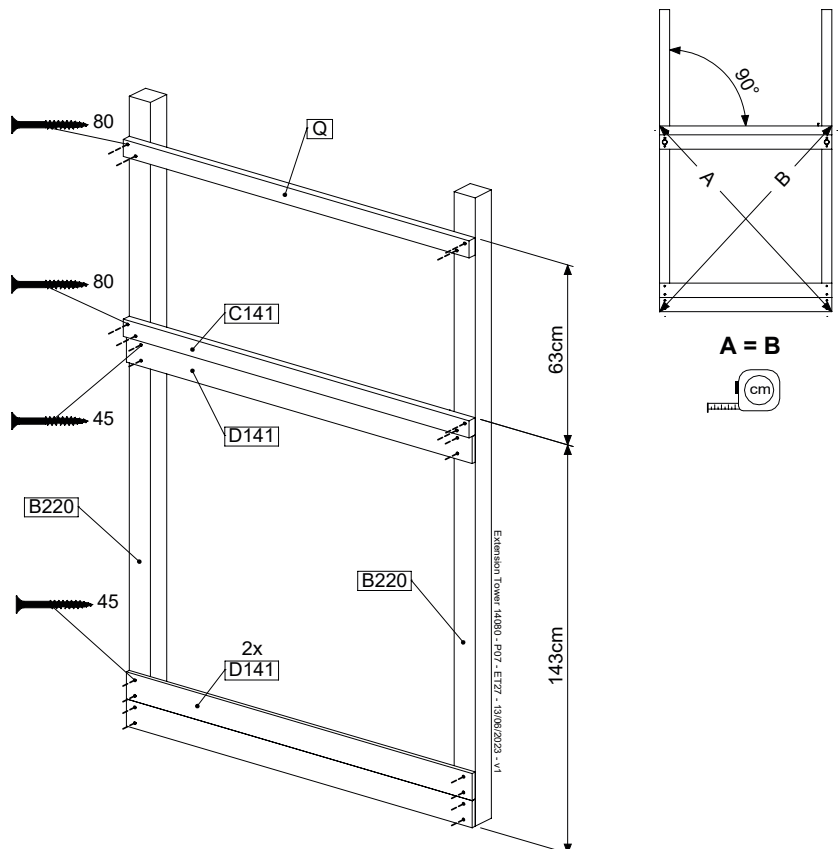
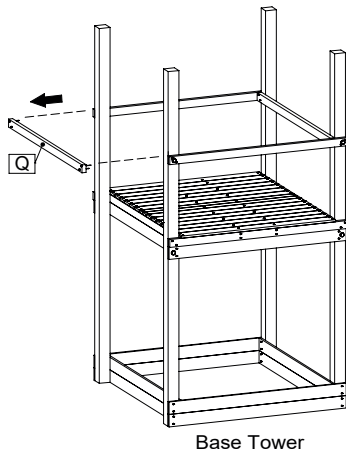
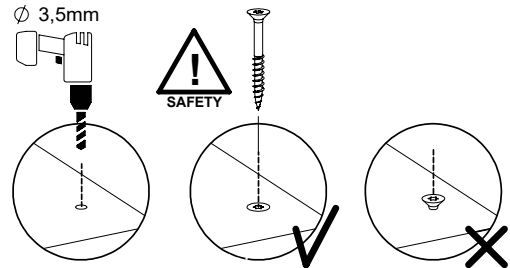
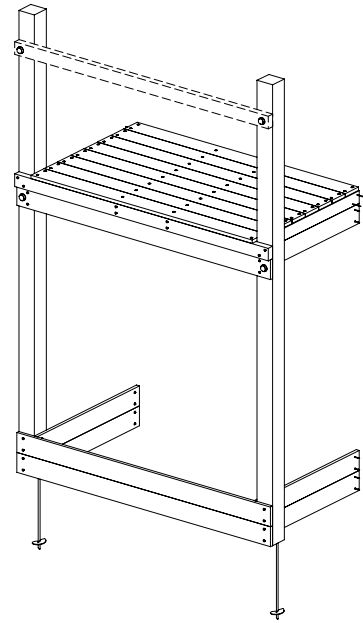


## 2 ET27a: Extension Tower 14080 220/145

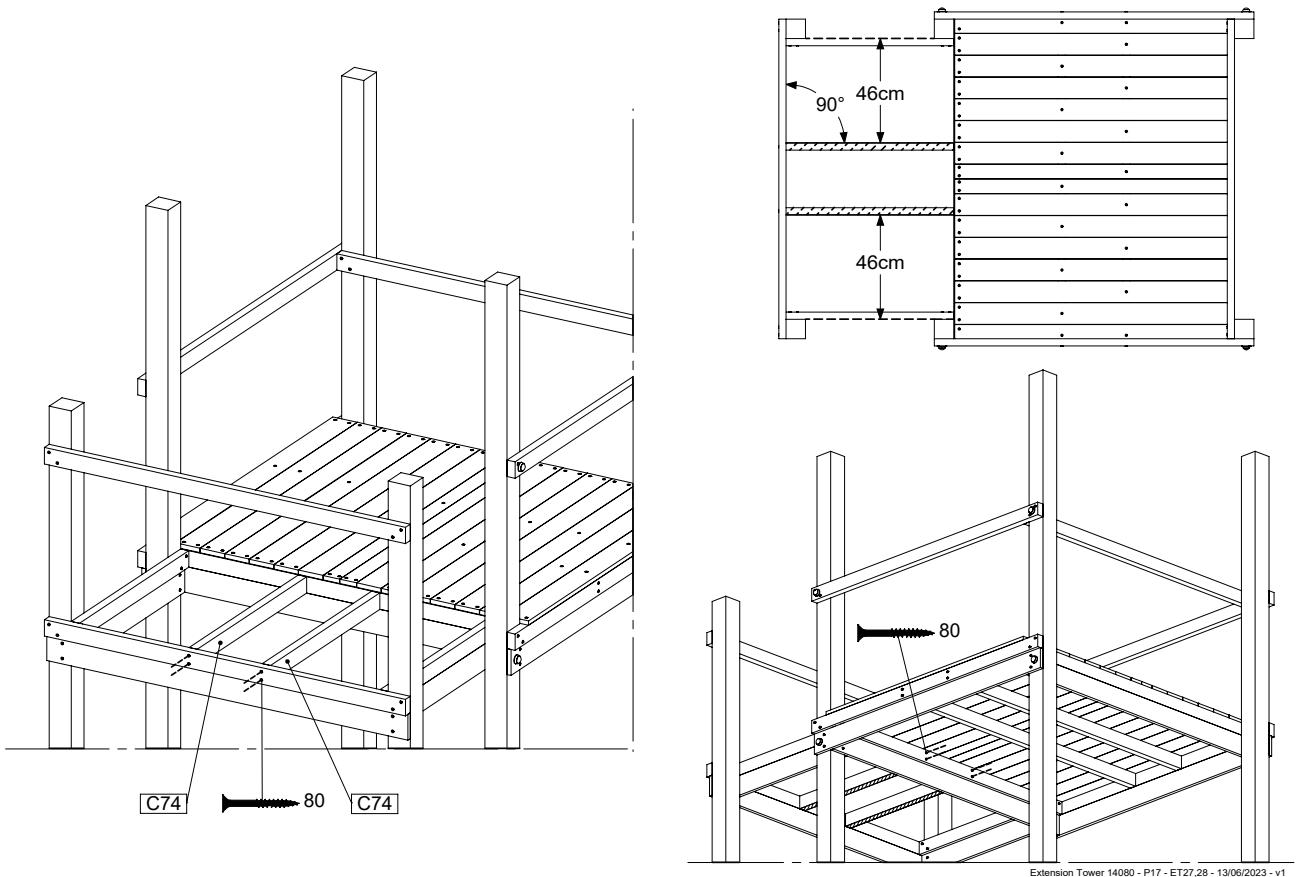
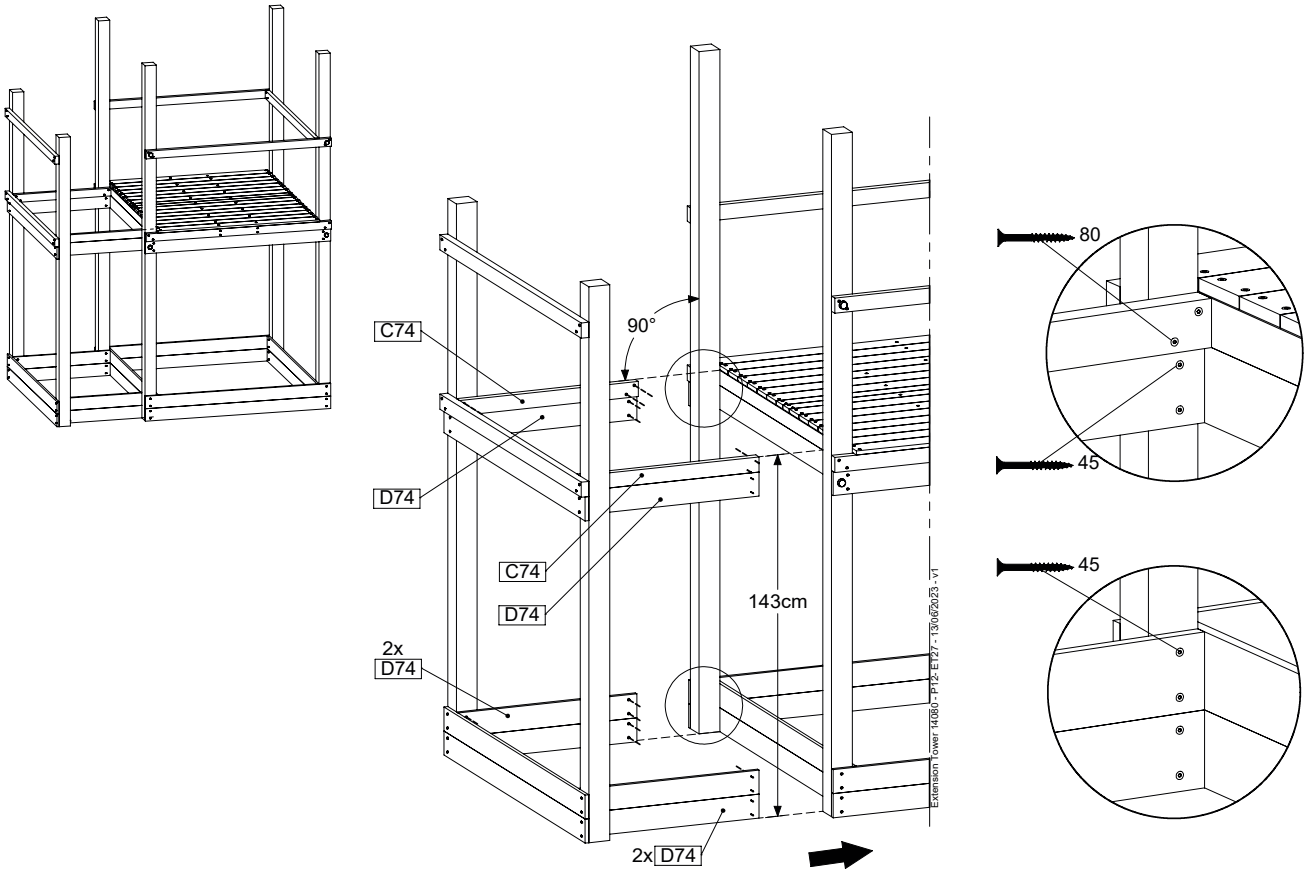
( 194\_300 )

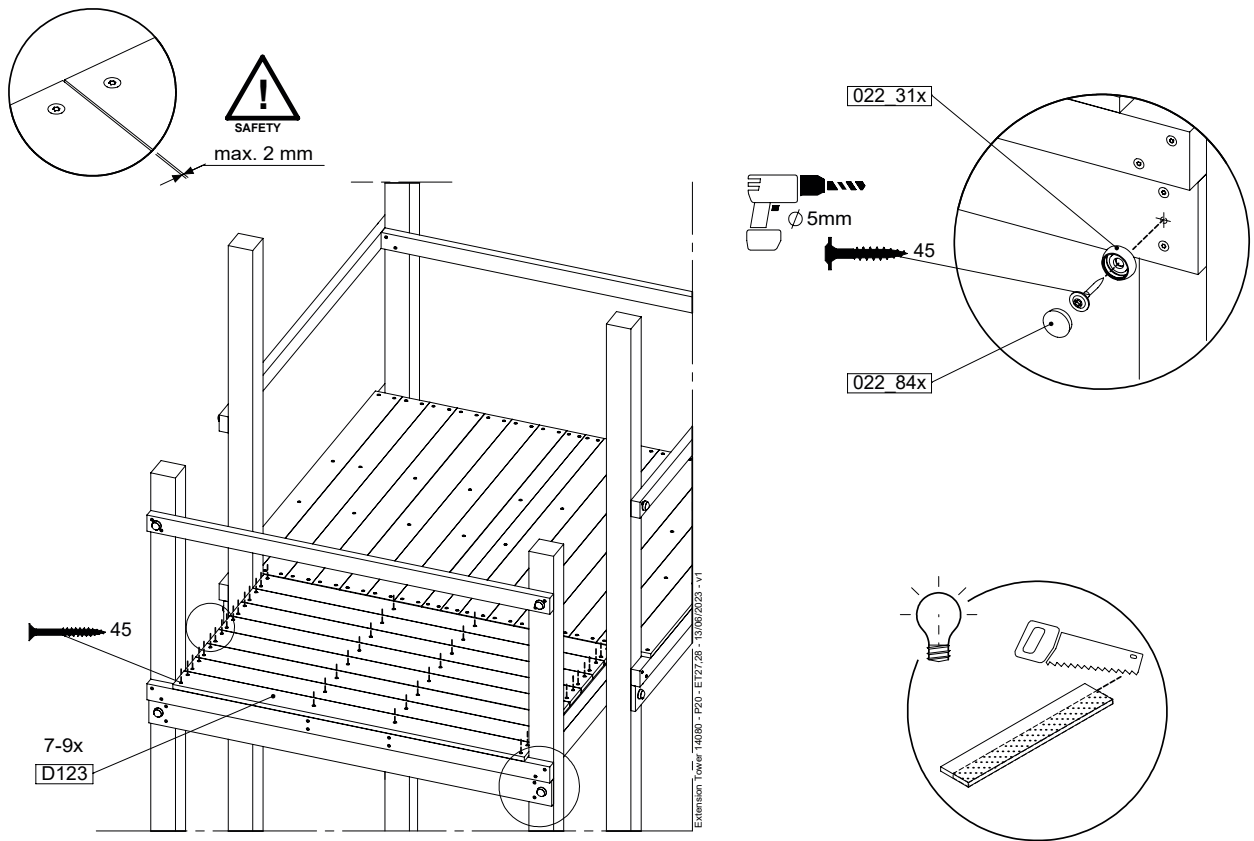
	PartNo	PartName	QTY.
Hardware pack	001_406	Stealth Screw 8x45	4
	001_417	Stealth Screw 8x80	2
	002_220	Gap Point Screw T25 - 5x45	90
	002_223	Gap Point Screw T25 - 5x80	20
Other	007_001	Ground-anchor	2
	022_31x	bpc-base version 3	4
	022_84x	bpc cover	4
Timber	B220	Post 90x90 L2200	2
	C74	Beam 740 mm	4
	C141	Beam 1410 mm	1
	D74	Board 740 mm	6
	D123	Board 1230 mm	9
	D141	Board 1410 mm	3

Extension Tower 14080 - P02 - ET27 - 13/06/2023 - v1



2.1



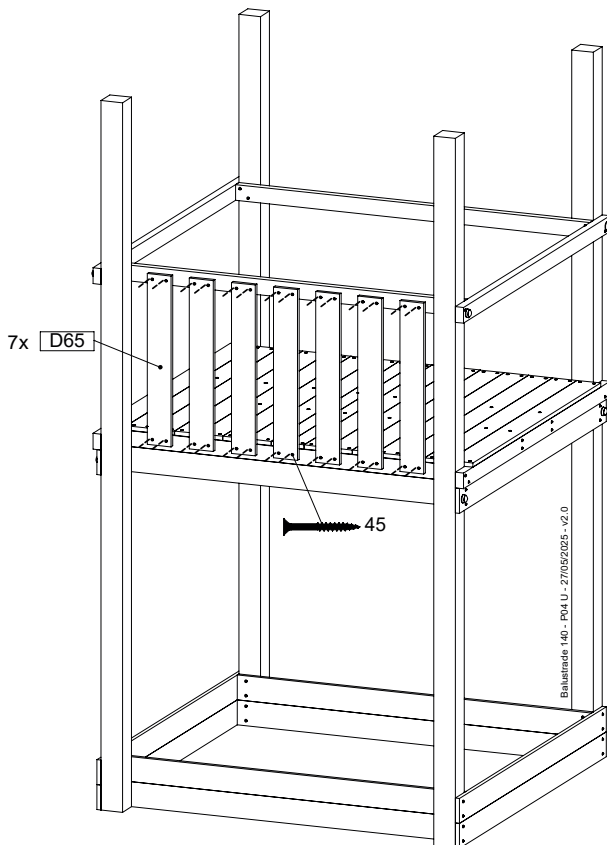
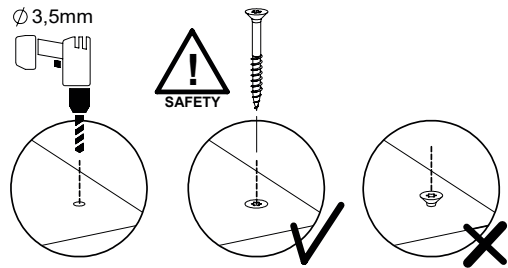
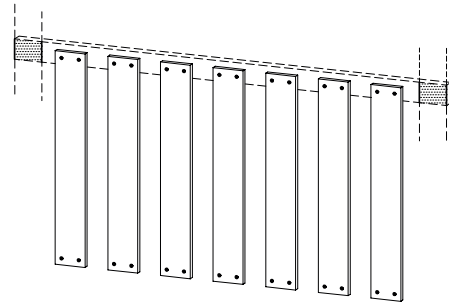


### 3 BL05a: Balustrade 140 U

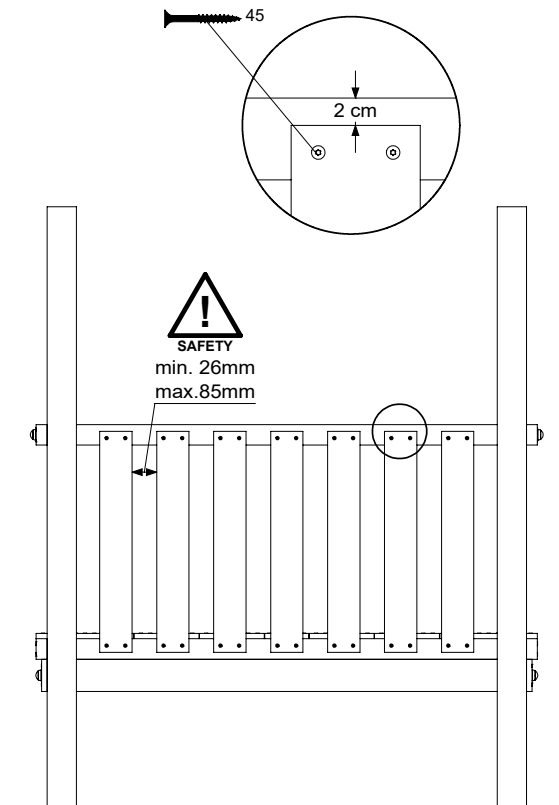
Assembly Pack: 194\_501

	PartNo	PartName	QTY.
Hardware	002_220	Gap Point Screw T25 - 5x45	28
Timber	D65	Board 650 mm	7

Balustrade 140 - P102 U - 27/05/2025 - v2.0



Balustrade 140 - P04 U - 27/05/2025 - v2.0

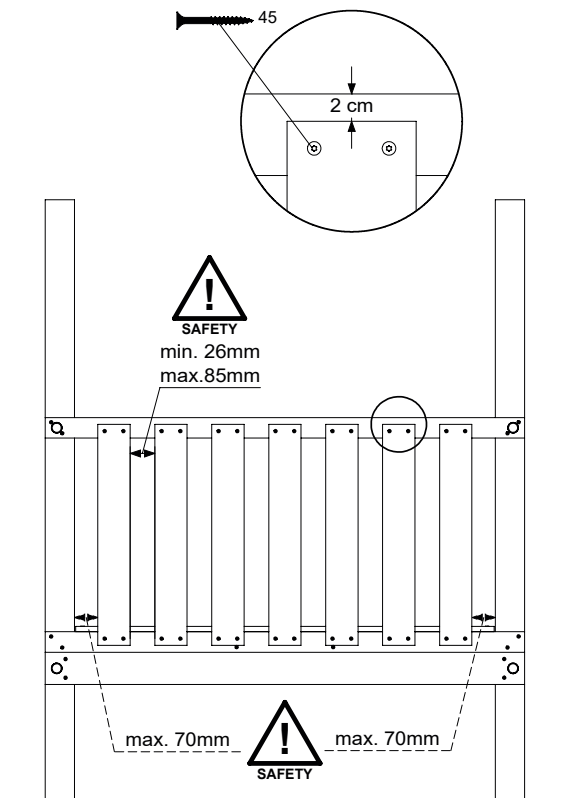
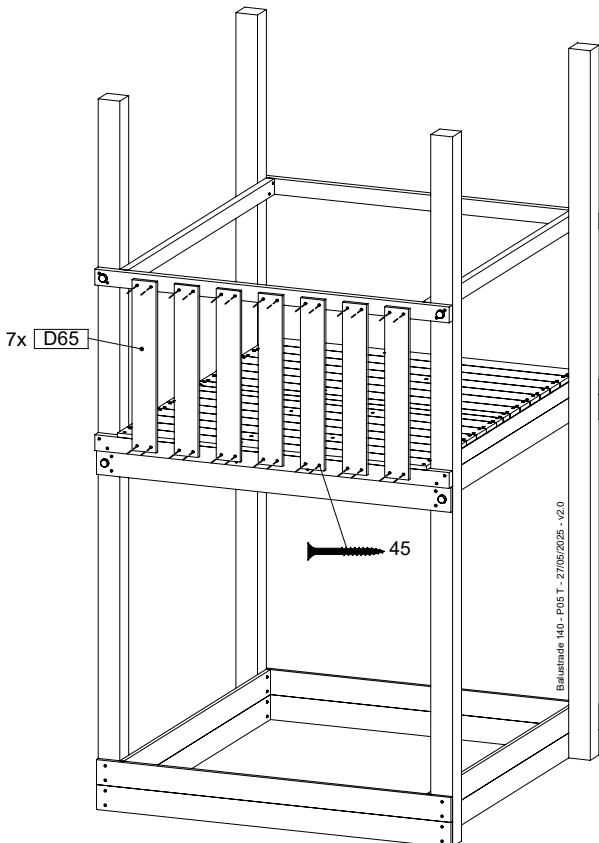
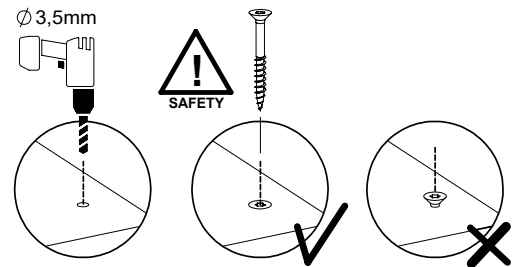
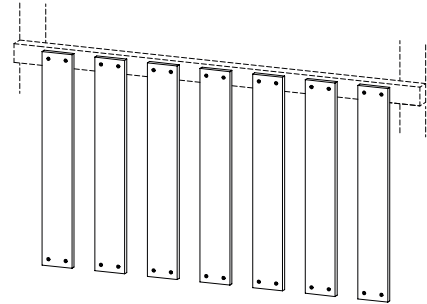


## 4 BL06a: Balustrade 140 T

Assembly Pack: 194\_501

	PartNo	PartName	QTY.
Hardware	002_220	Gap Point Screw T25 - 5x45	28
Timber	D65	Board 650 mm	7

Balustrade 140 - P03 T - 27/05/2025 - v2.0



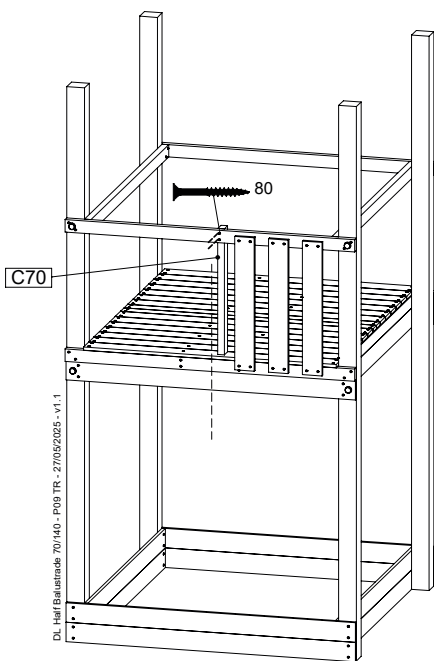
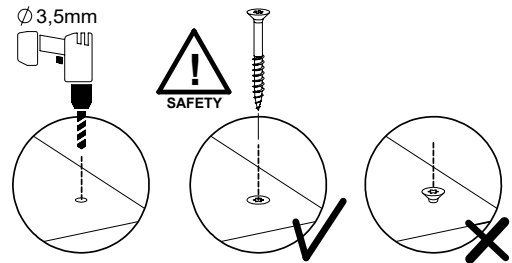
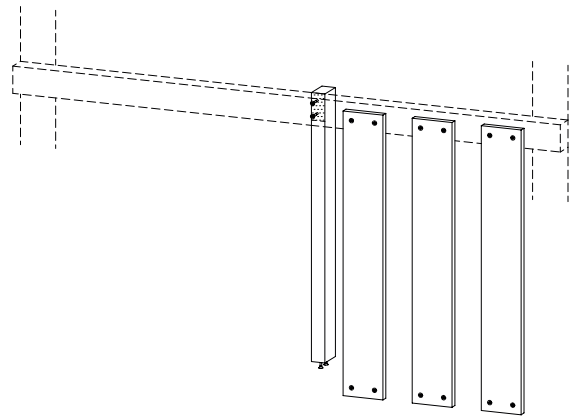
Manual ID: 040\_013\_2419

## 5 BL10a: Half Balustrade T Right

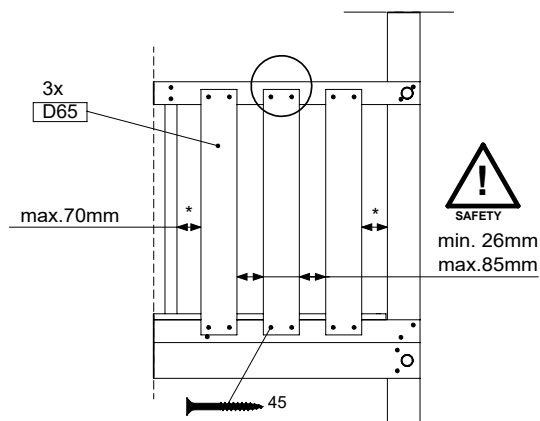
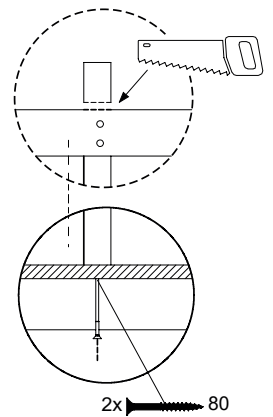
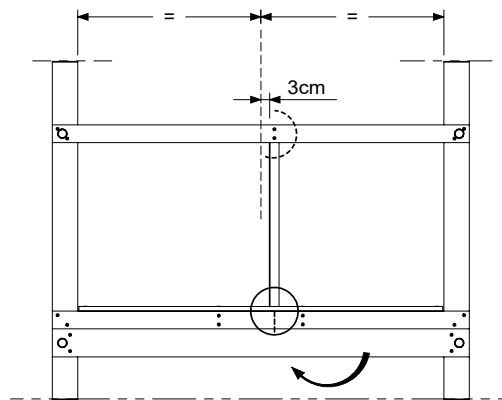
Assembly Pack: 194\_101

	PartNo	PartName	QTY.
Hardware	002_220	Gap Point Screw T25 - 5x45	12
	002_223	Gap Point Screw T25 - 5x80	4
Timber	C70	Beam 700 mm	1
	D65	Board 650 mm	3

DL Half Balustrade 70/140 - P05 TR - 27/05/2025 - v1.1



DL Half Balustrade 70/140 - P05 TR - 27/05/2025 - v1.1



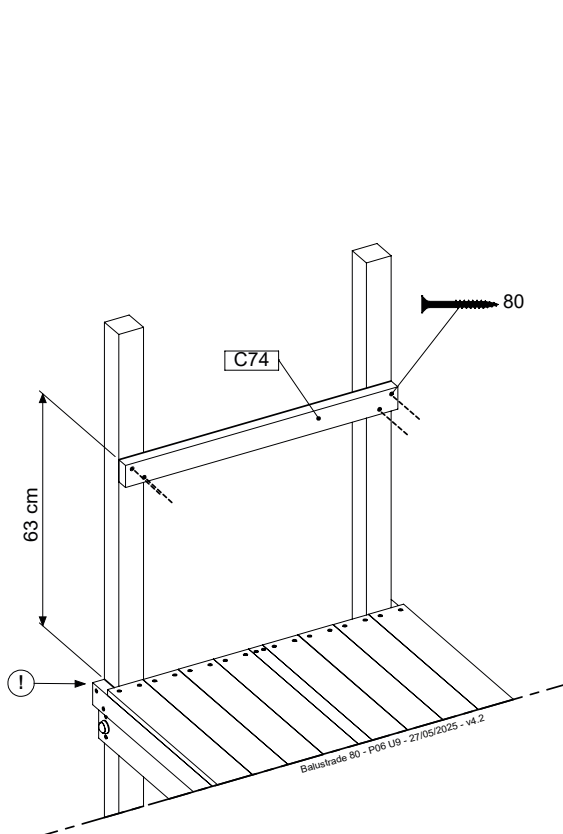
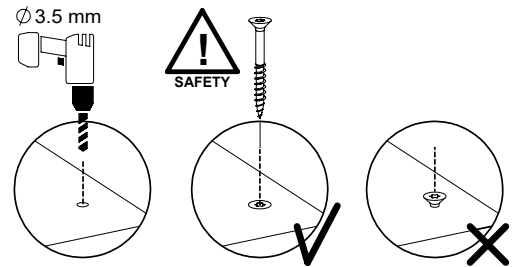
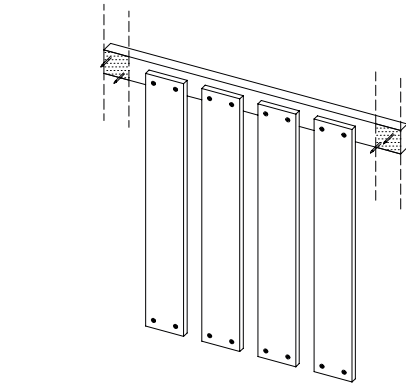
**SAFETY**  
min. 26mm  
max. 85mm

## 6 BL21a: Balustrade 80 U - 9x9 posts

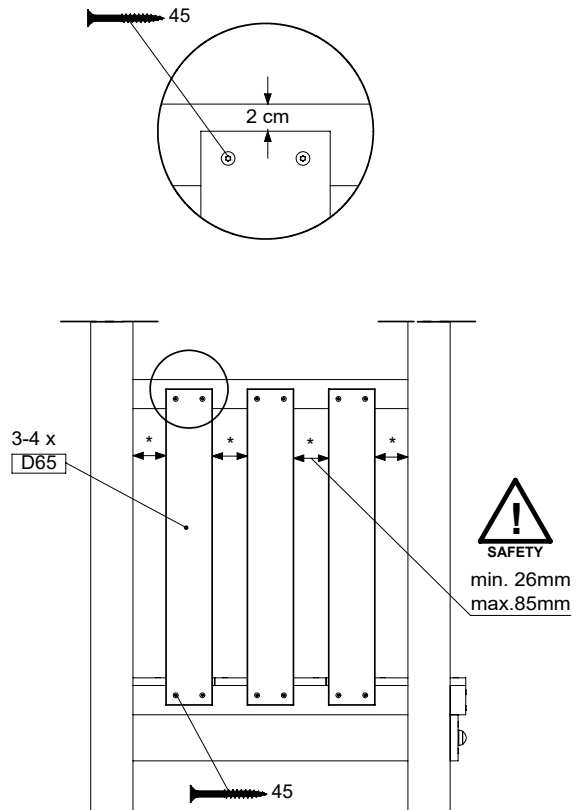
Assembly Pack: 194\_101

	PartNo	PartName	QTY.
Hardware + Parts	002_220	Gap Point Screw T25 - 5x45	16
	002_223	Gap Point Screw T25 - 5x80	4
Timber	C74	Beam 740 mm	1
	D65	Board 650 mm	4

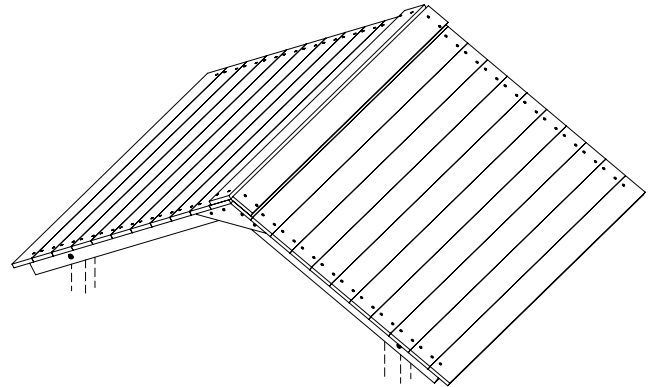
Balustrade 80 - P02 U - 27/05/2025 - v4.2



Balustrade 80 - P06 U9 - 27/05/2025 - v4.2



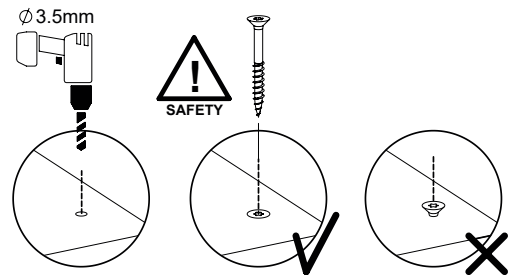
# 7 RF15b: Roof Timber Slope 140 - 2.0



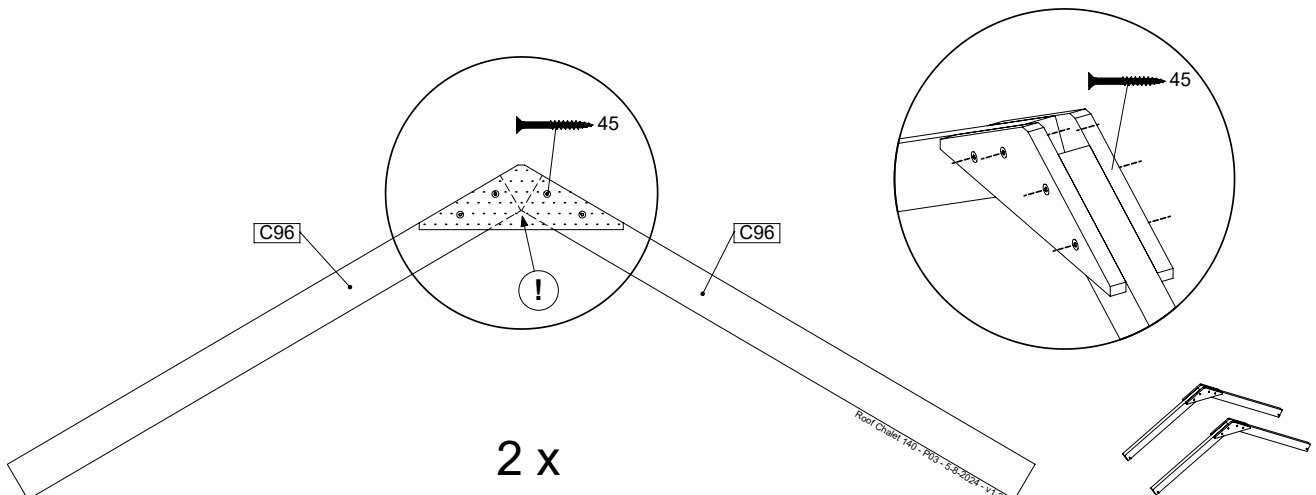
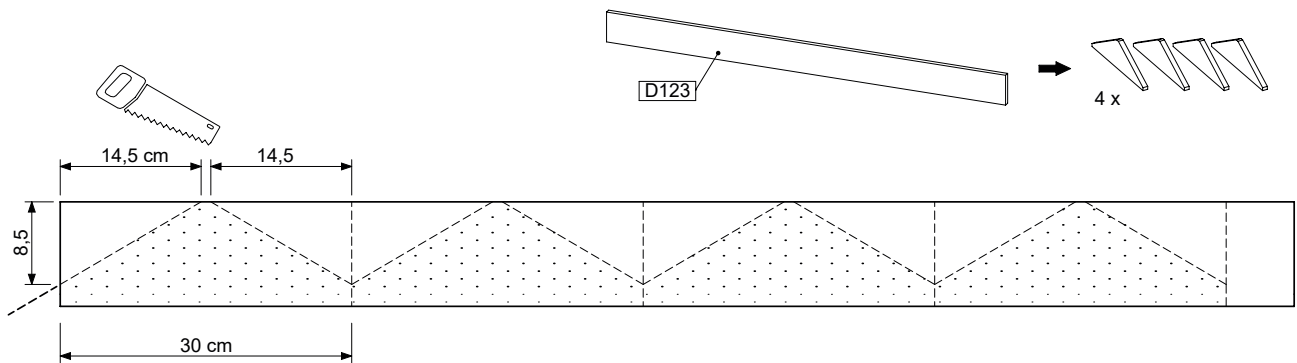
Assembly Pack: 194\_508 / 194\_804

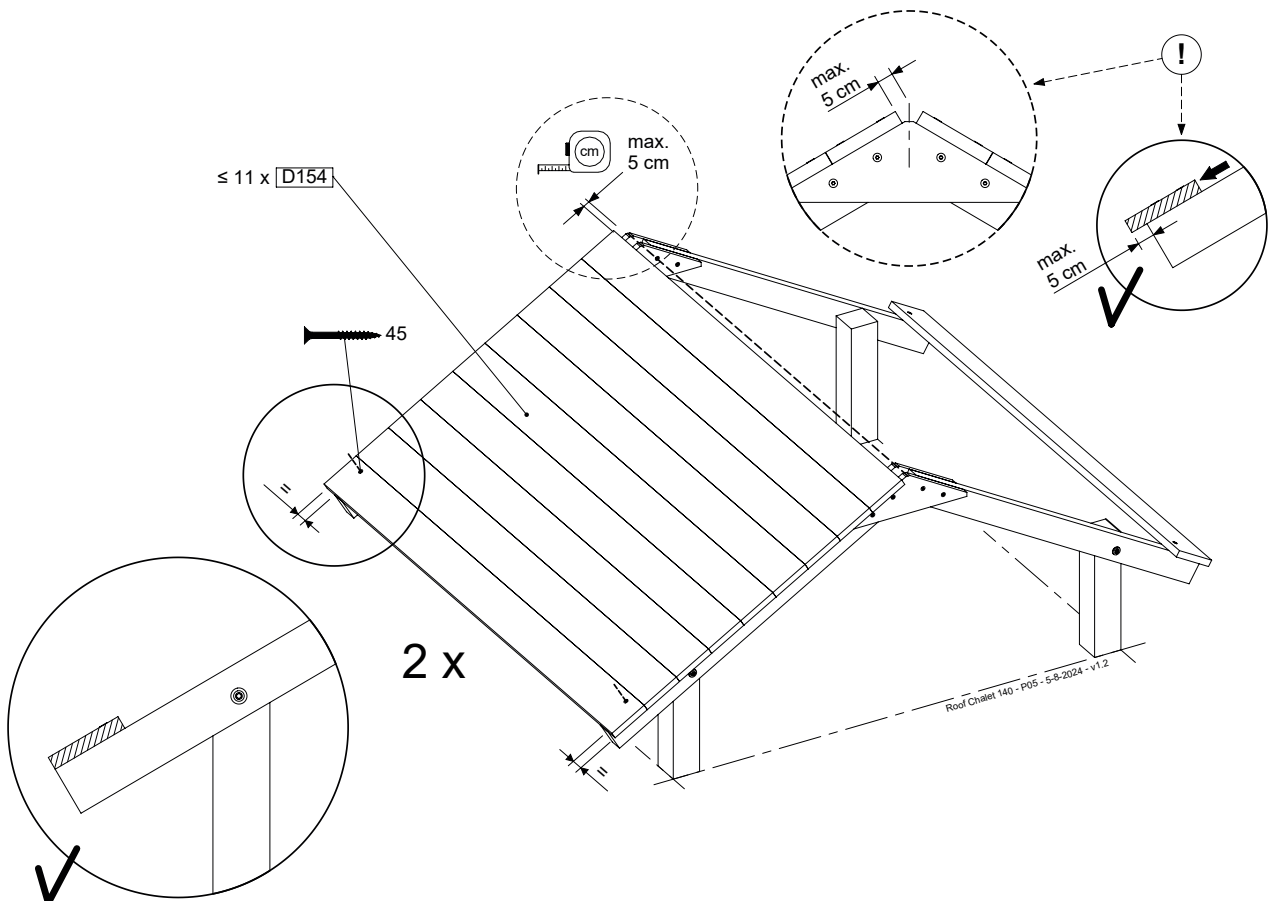
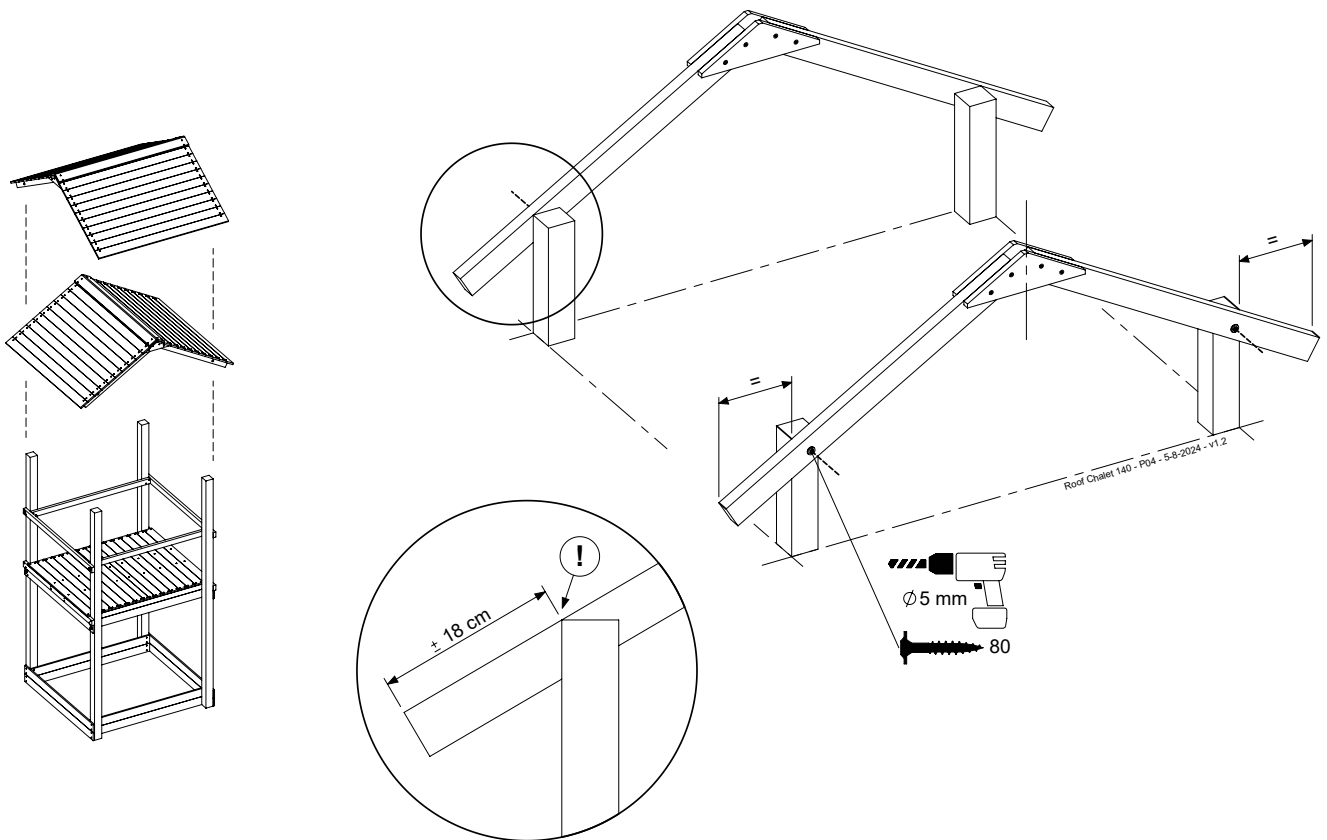
	PartNo	PartName	QTY.
Hardware pack	001_417	Stealth Screw 8x80	4
	002_220	Gap Point Screw T25 - 5x45	108
Timber	C96	Beam 960 mm	4
	D123	Board 1230 mm	1
	D154	Board 1540 mm	24

Roof Chalk 140 - P02 - 5-8-2024 - v1.2

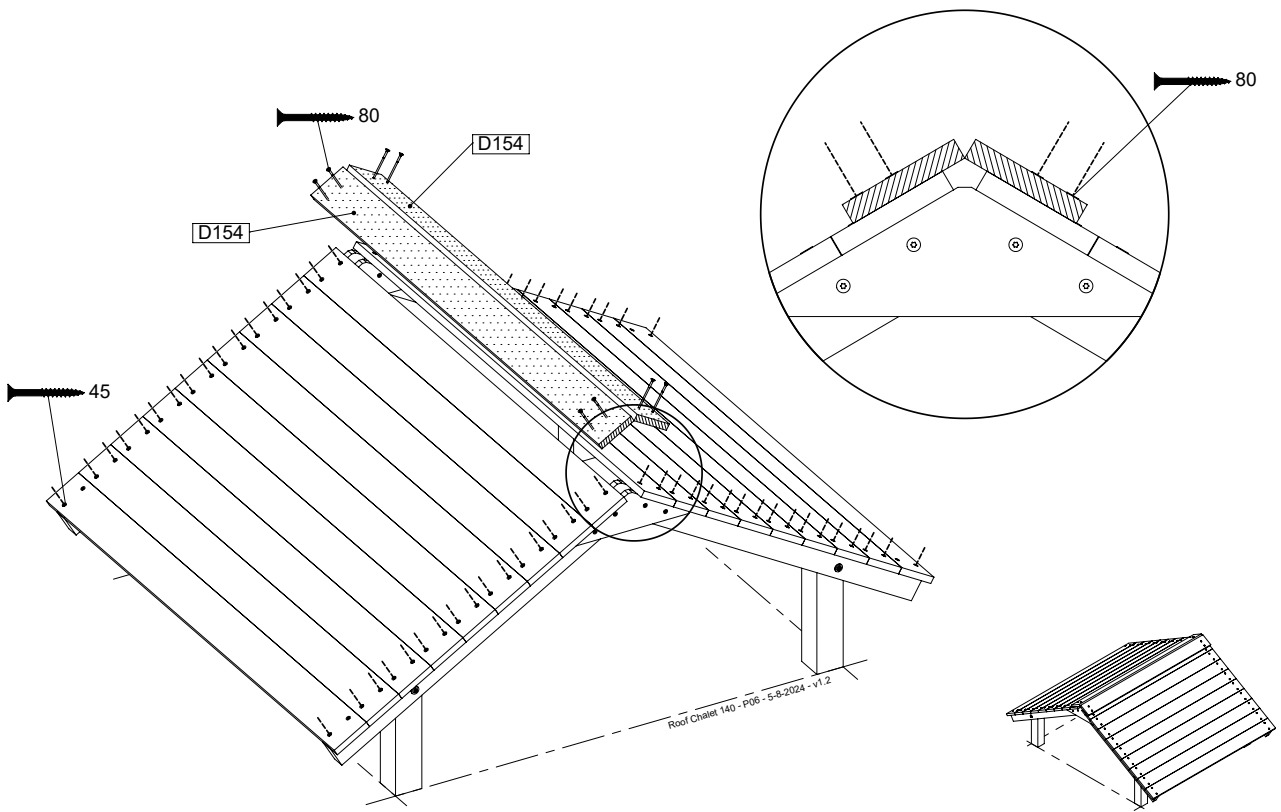


Manual ID: 040\_013\_2419





7.2

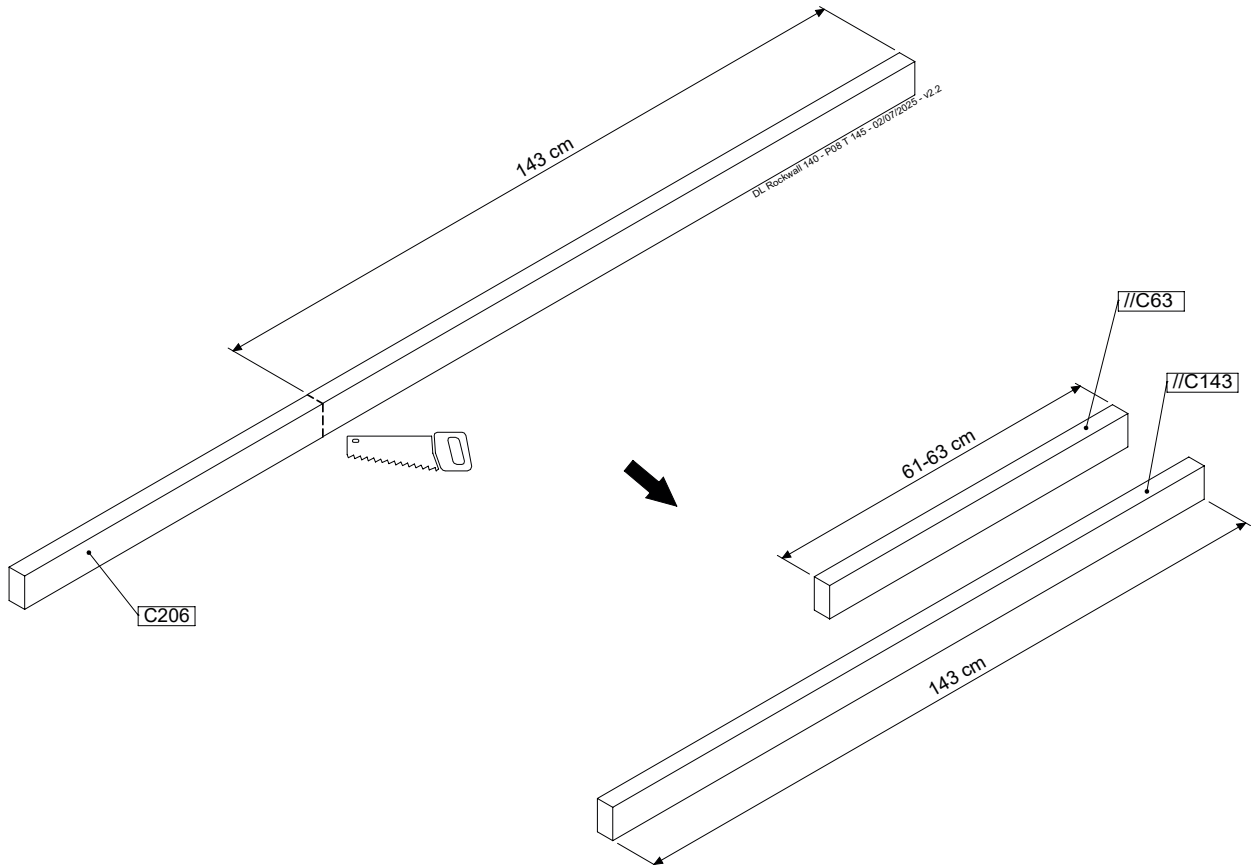
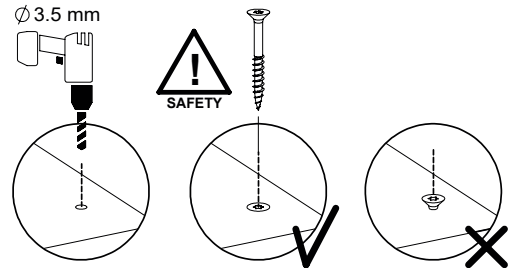
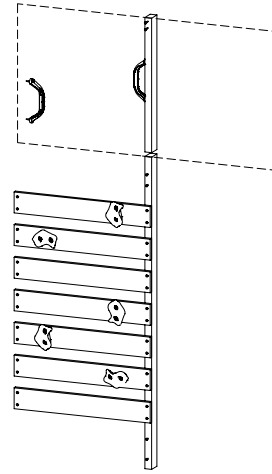


## 8 RW19a: Rock wall 140 145 T Left

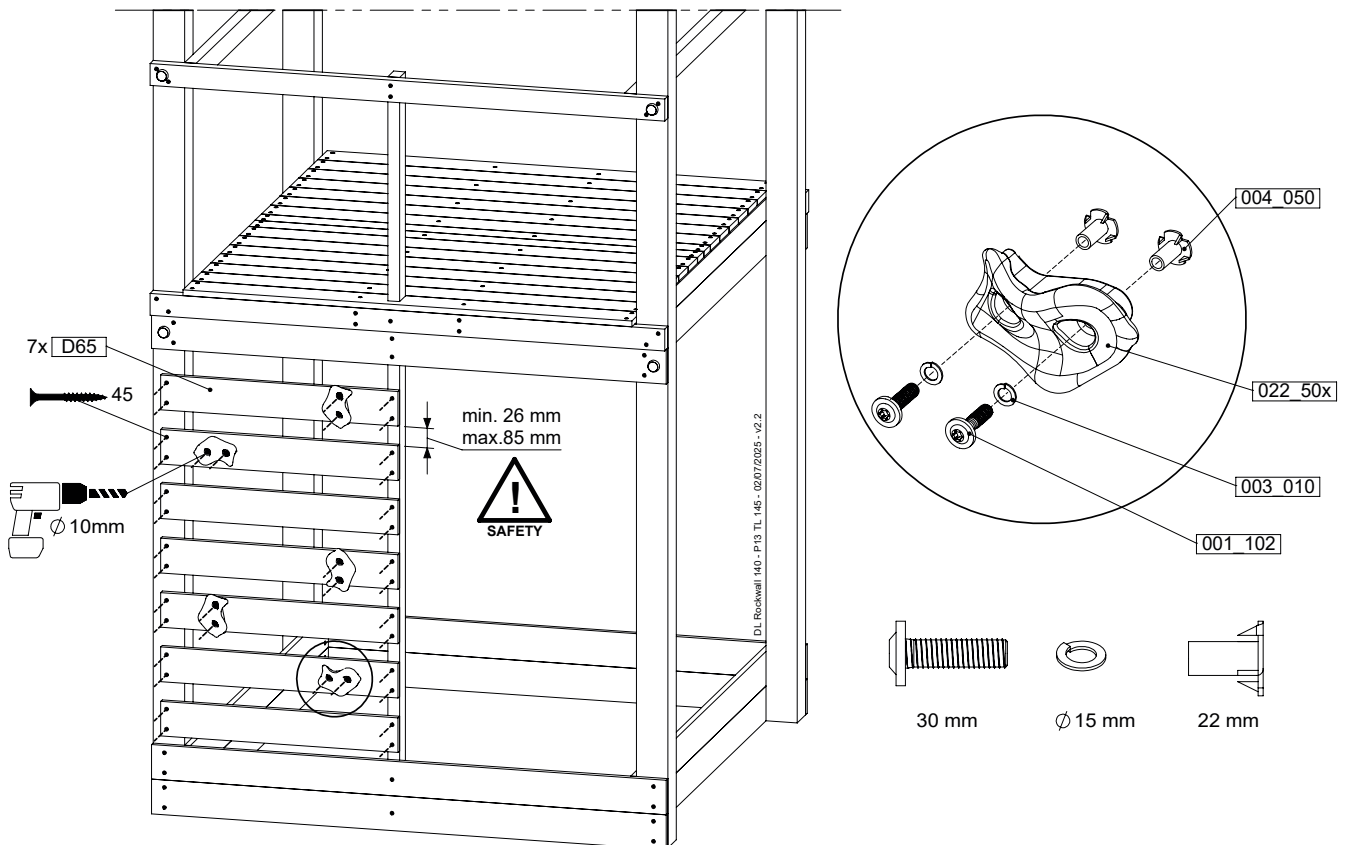
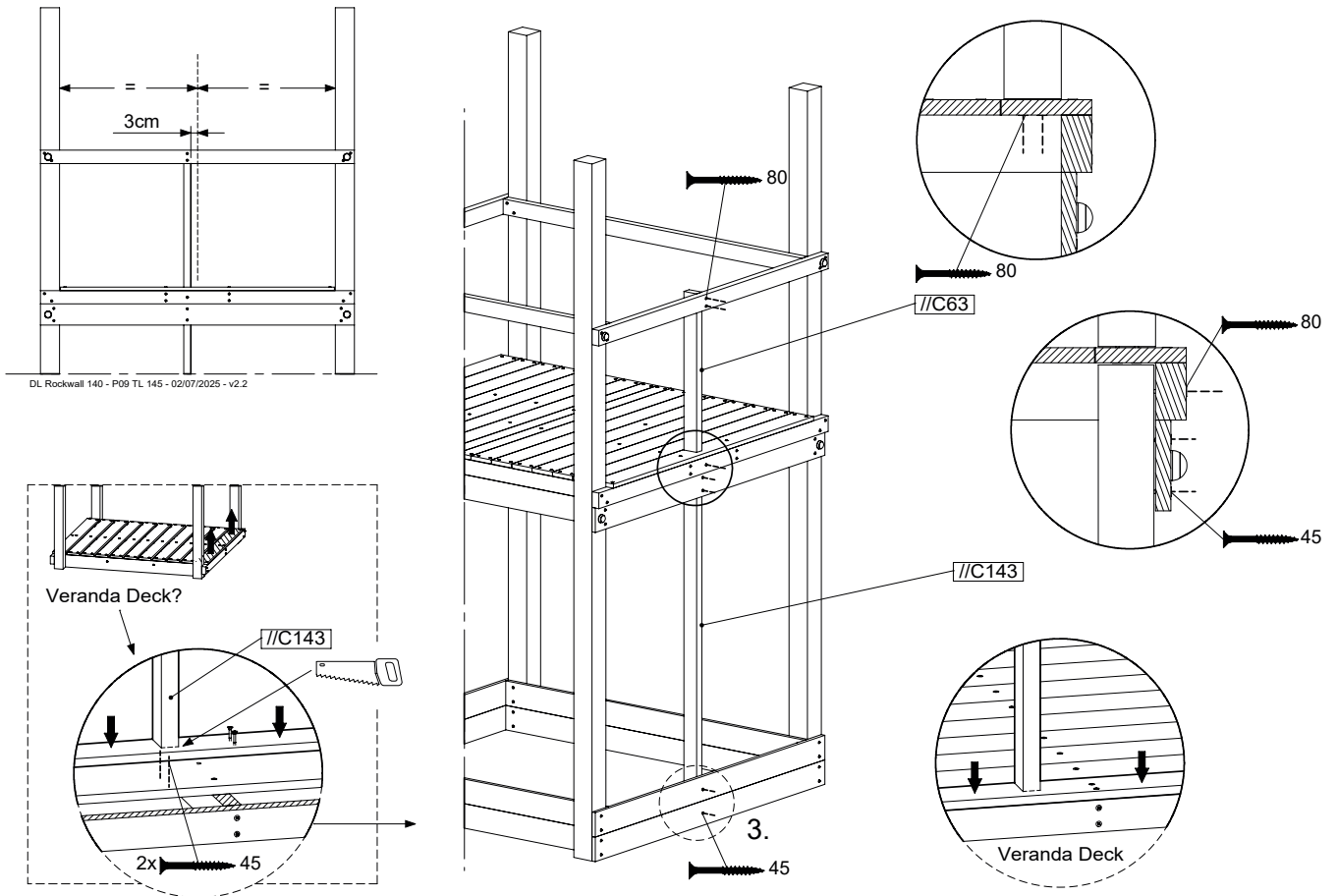
Assembly Pack: 194\_006

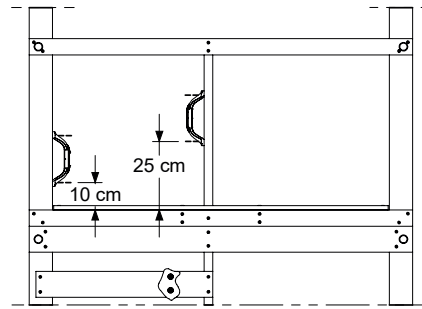
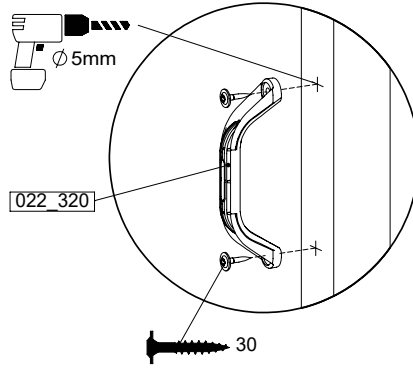
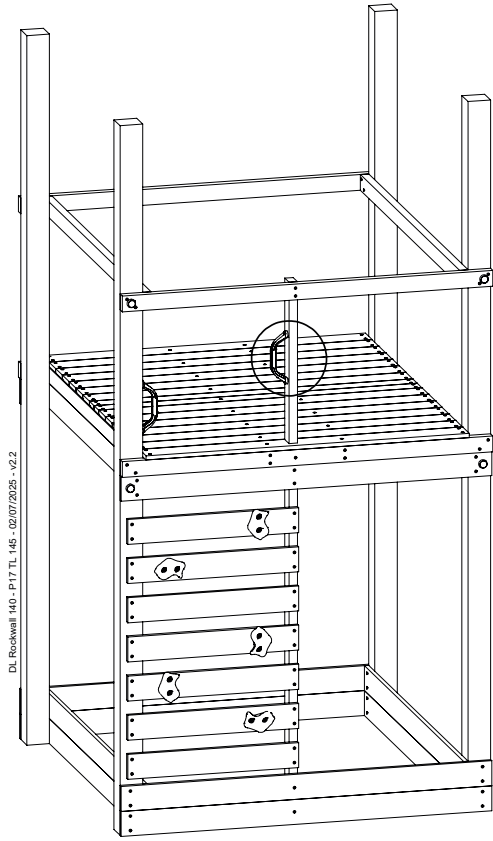
	PartNo	PartName	QTY.
Hardware pack	001_102	Washer Head Screw T40 M8x30	10
	002_220	Gap Point Screw T25 - 5x45	32
	002_223	Gap Point Screw T25 - 5x80	5
	003_010	M8 spring lock washer	10
	004_050	M8 Drive-in Nut 22mm	10
Other	022_50x	Climbing Rock	5
	120_102	Handgrip set (complete 2x)	1
Timber	C206	Beam 2060 mm	1
	D65	Board 650 mm	7

DL Rockwall 140 - P04 TL 145 - 02/07/2025 - v2.2



# 8.1



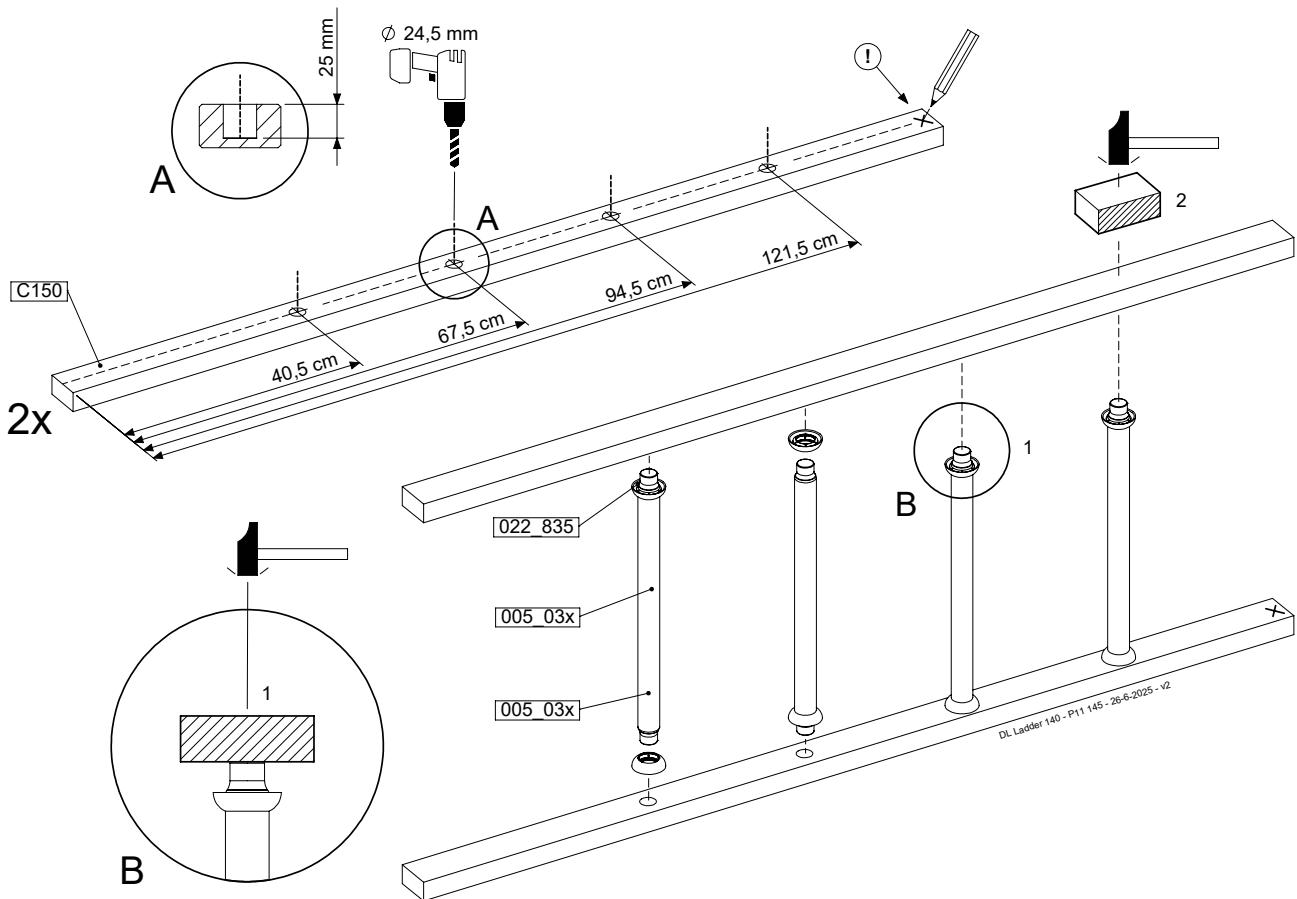
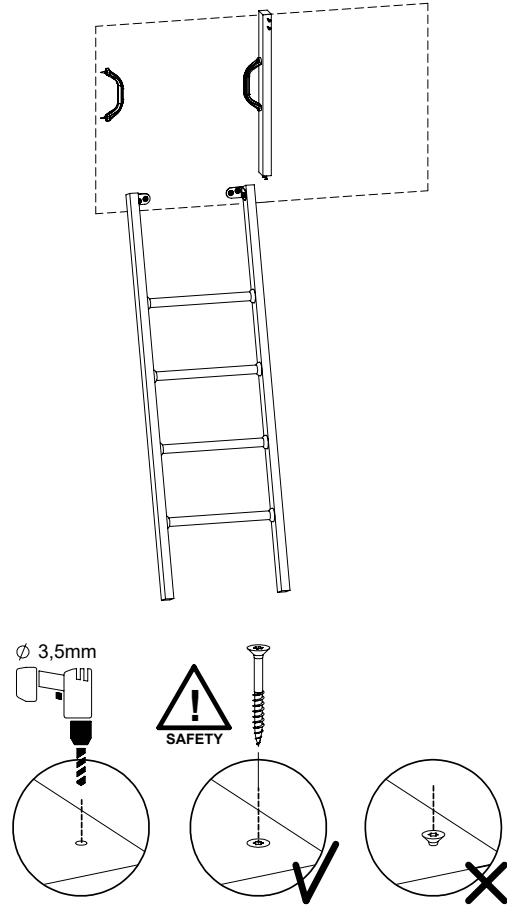


# 9 LA25a: Ladder 140 145 T Left

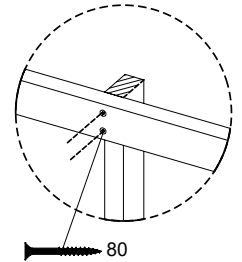
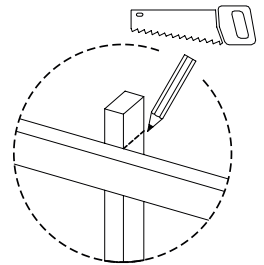
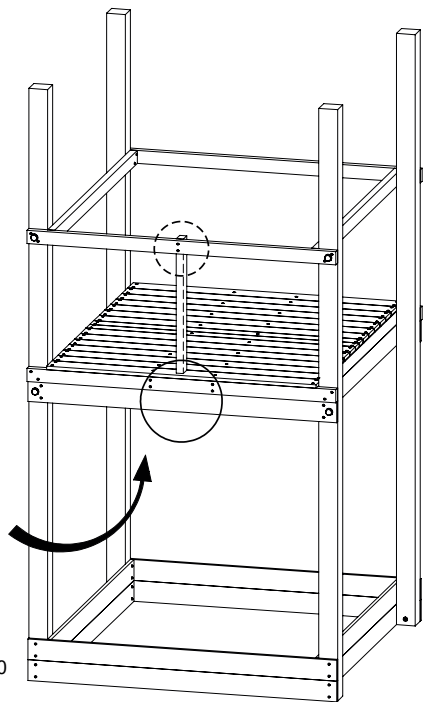
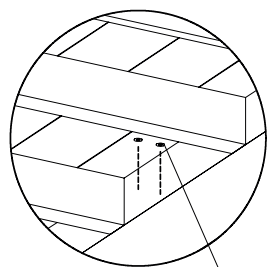
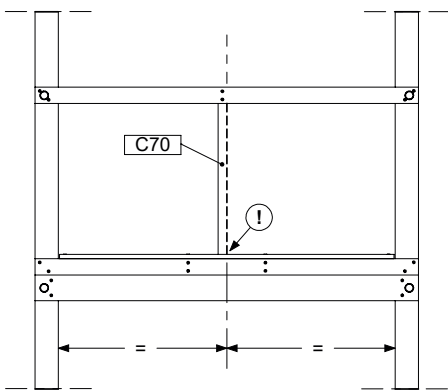
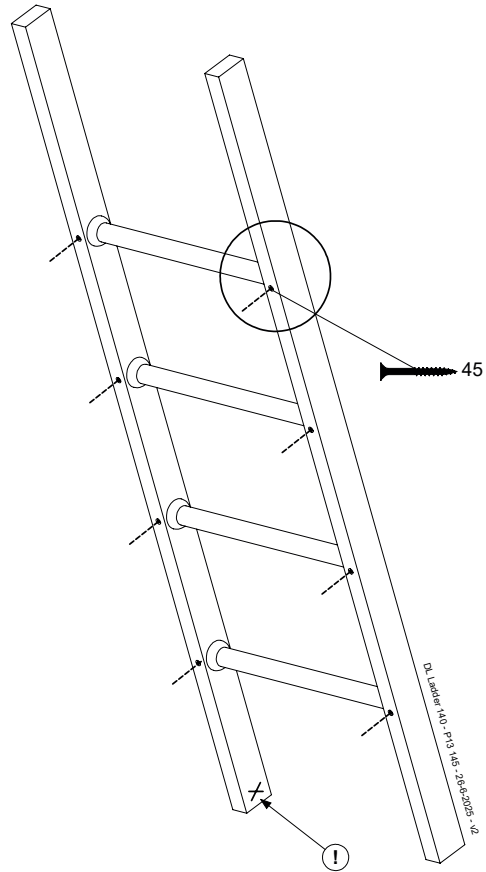
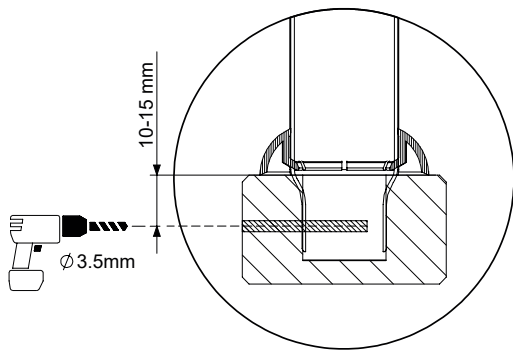
Assembly Pack: 194\_004 (LA25a) /194\_104 (LA25b)

	PartNo	PartName	QTY.
Hardware + Parts	001_404	Stealth Screw 8x30	4
	002_219	Gap Point Screw T25 - 5x30	4
	002_220	Gap Point Screw T25 - 5x45	8
	002_223	Gap Point Screw T25 - 5x80	4
	005_03x	Ladder Rung Y/B/G/R	4
	005_522* /	Connection Bracket Mini Market /	2
	005_530**	Connection Bracket Ladder + 2x 023_031 Finishing Washer GPS 5.0	
		022_835	Rung Cap
	120_102	Handgrip set (complete 2x)	1
Timber	C70	Beam 700 mm	1
	C150	Beam 1500 mm	2

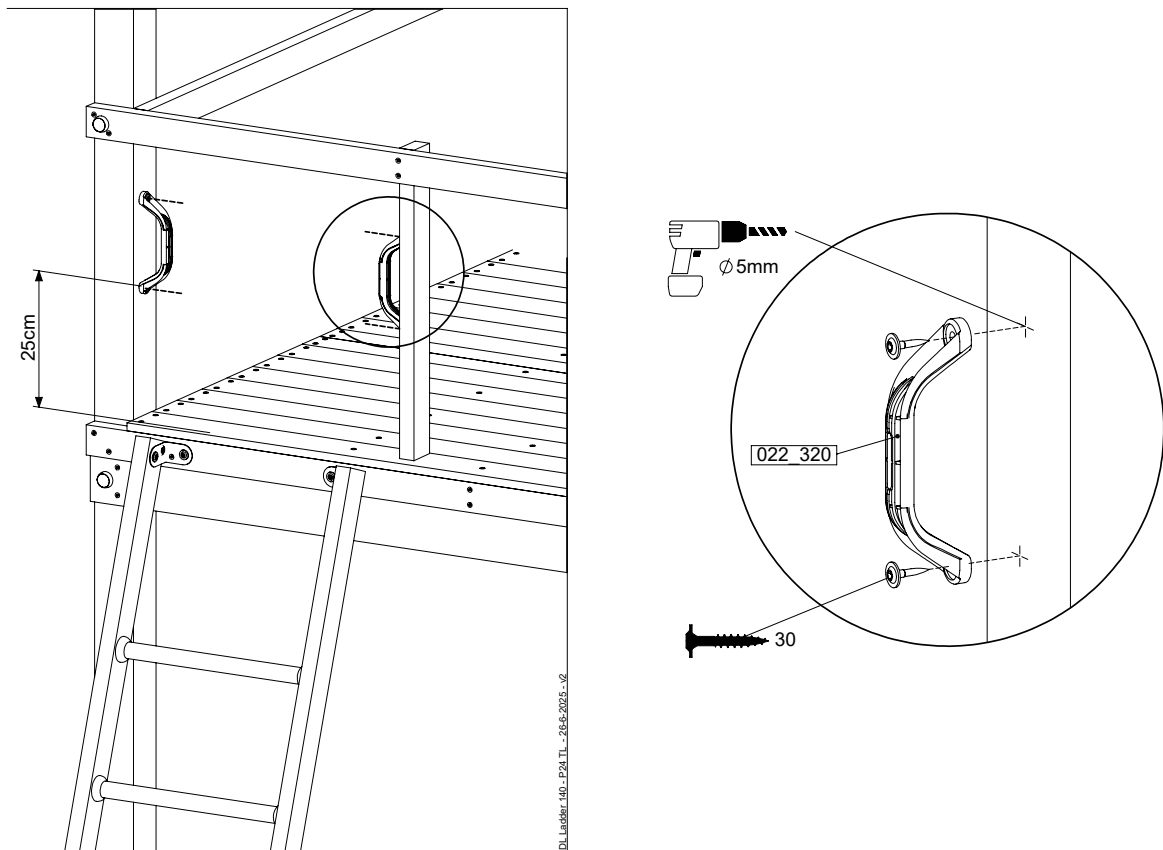
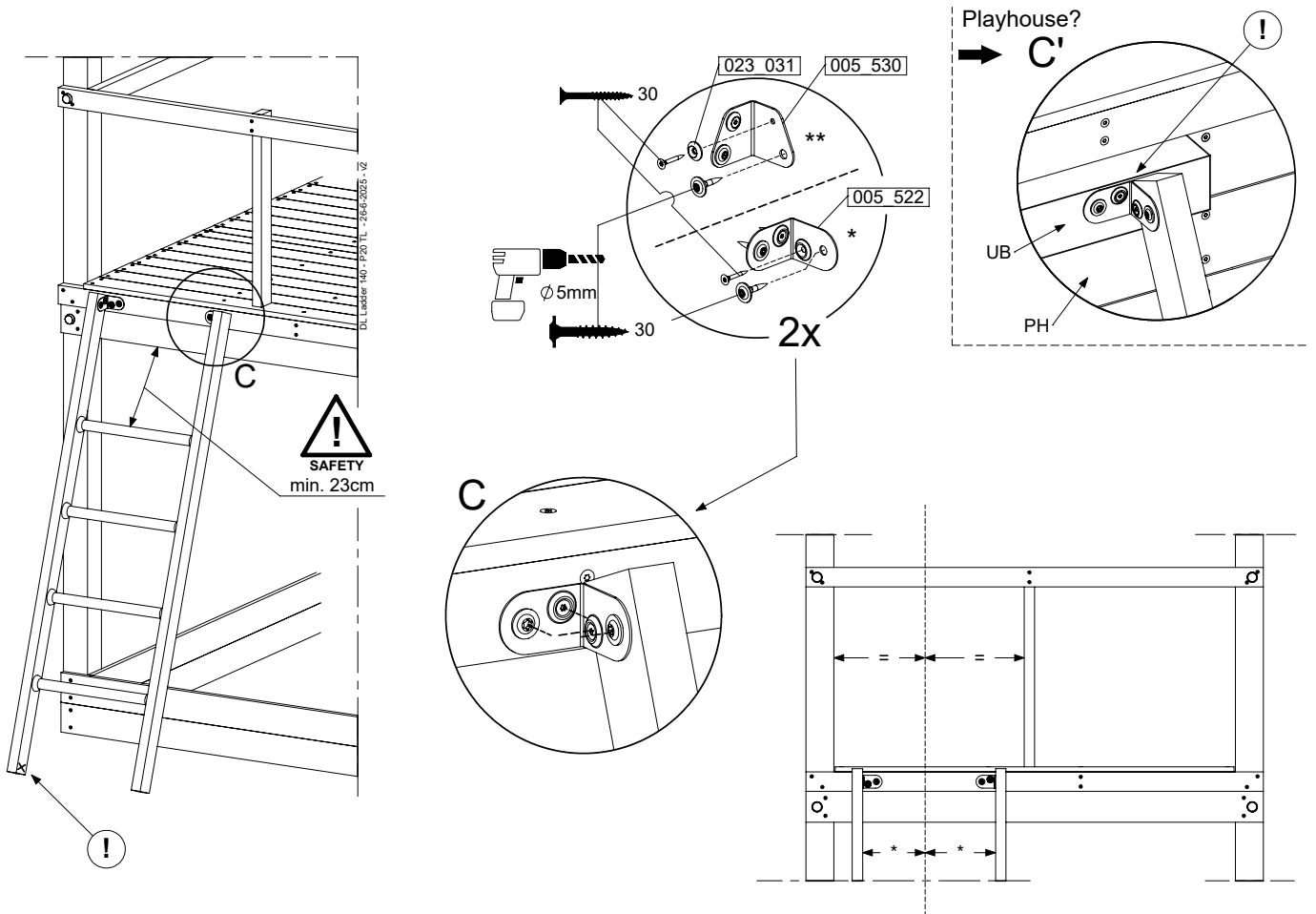
DL Ladder 140 - P08 TL 145 - 26-6-2025 - v2



DL Ladder 140 - P11 145 - 26-6-2025 - v2



DL Ladder 100 - P16 TL - 26-6-2025 - v2

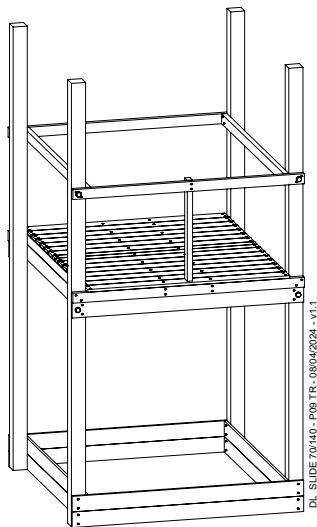
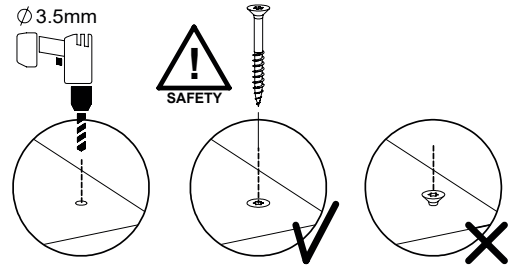
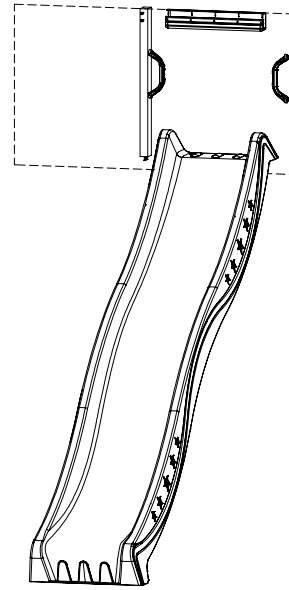


# 10 SL29a: Slide 140 145 T Right

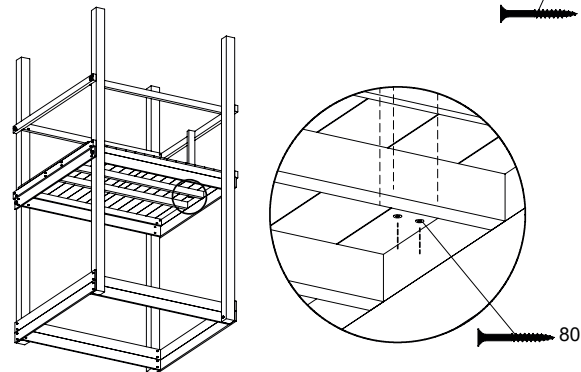
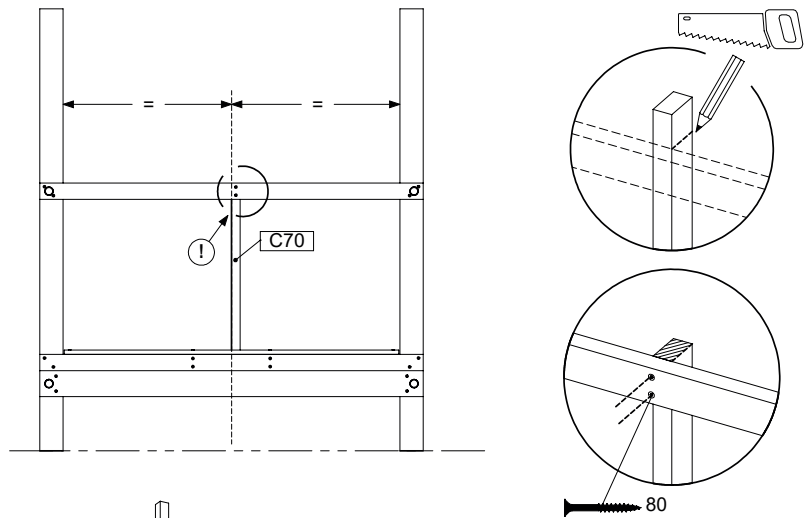
Assembly Pack: 194\_107

	PartNo	PartName	QTY.
Hardware pack	000_101	Nail Pan Head	10
	002_223	Gap Point Screw T25 - 5x80	4
	002_308	Gap Point Screw T25 - 5x20	2
Other	120_102	Handgrip set (complete 2x)	1
	123_200	Bumperpad	1
	334_xxx / 324_xxx	Wavy Star Slide XXL 2650 mm / Wavy Star Slide XL 2200 mm	1
Timber	C70	Beam 700 mm	1

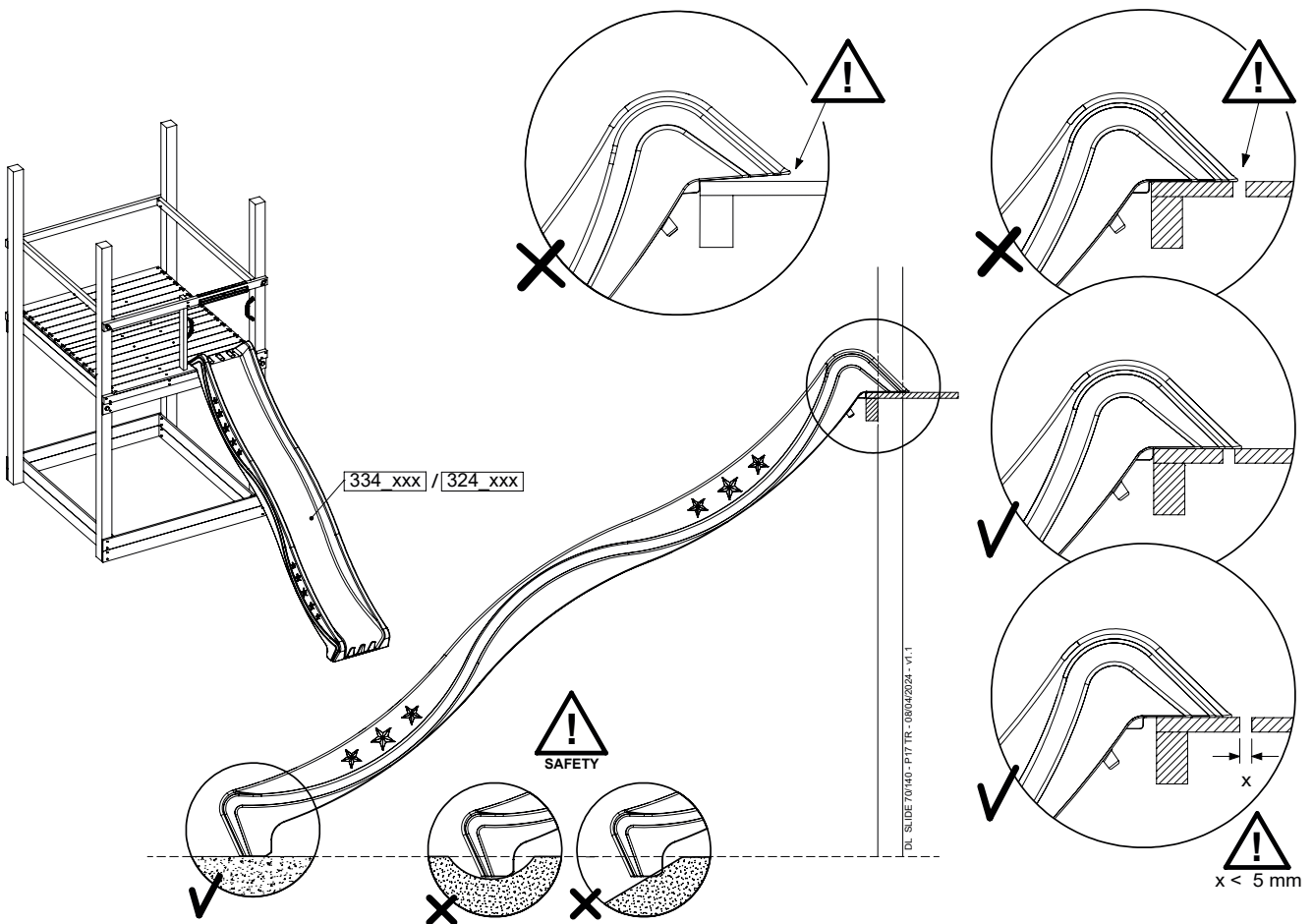
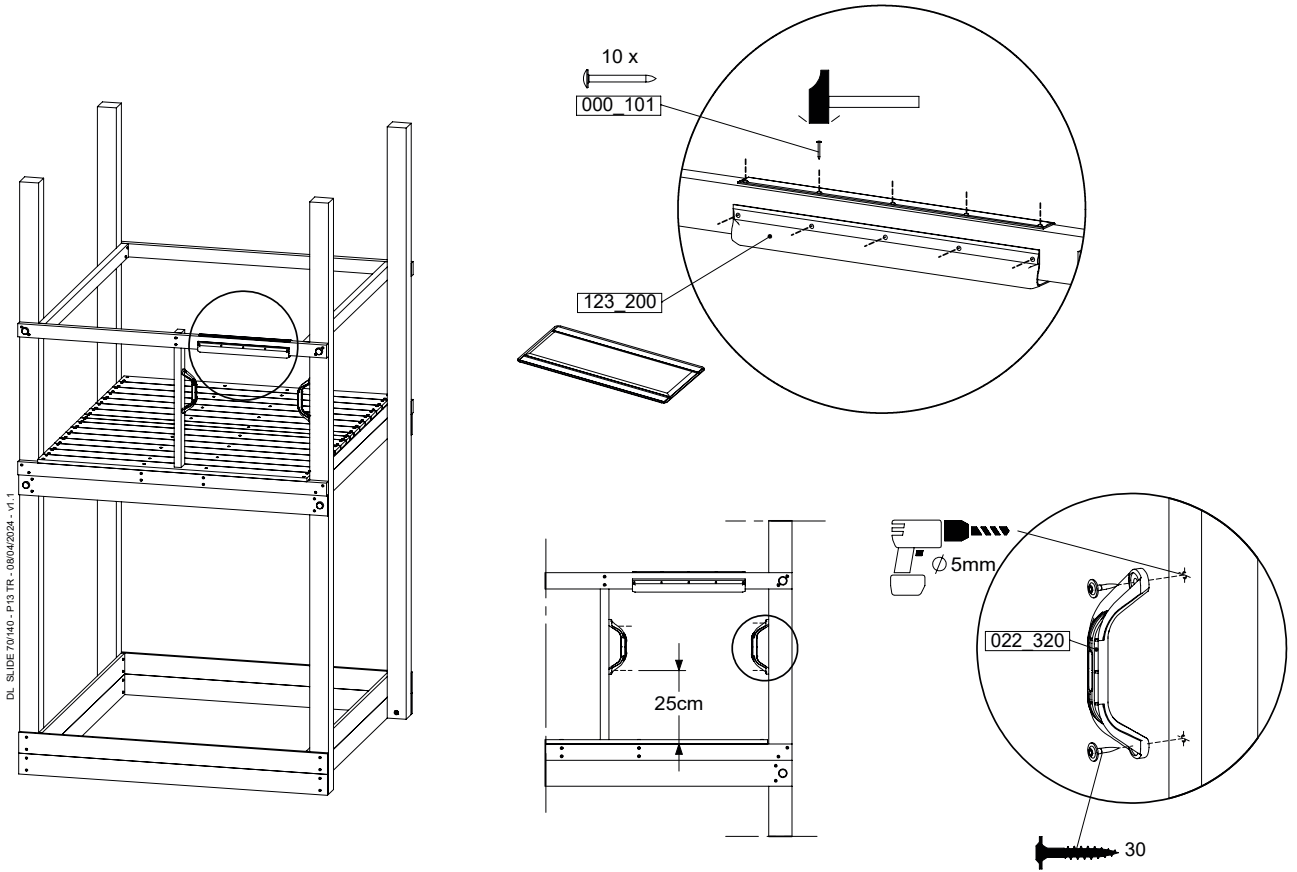
DL SLIDE 70/140 - P05 TR - 08/04/2024 - v1.1

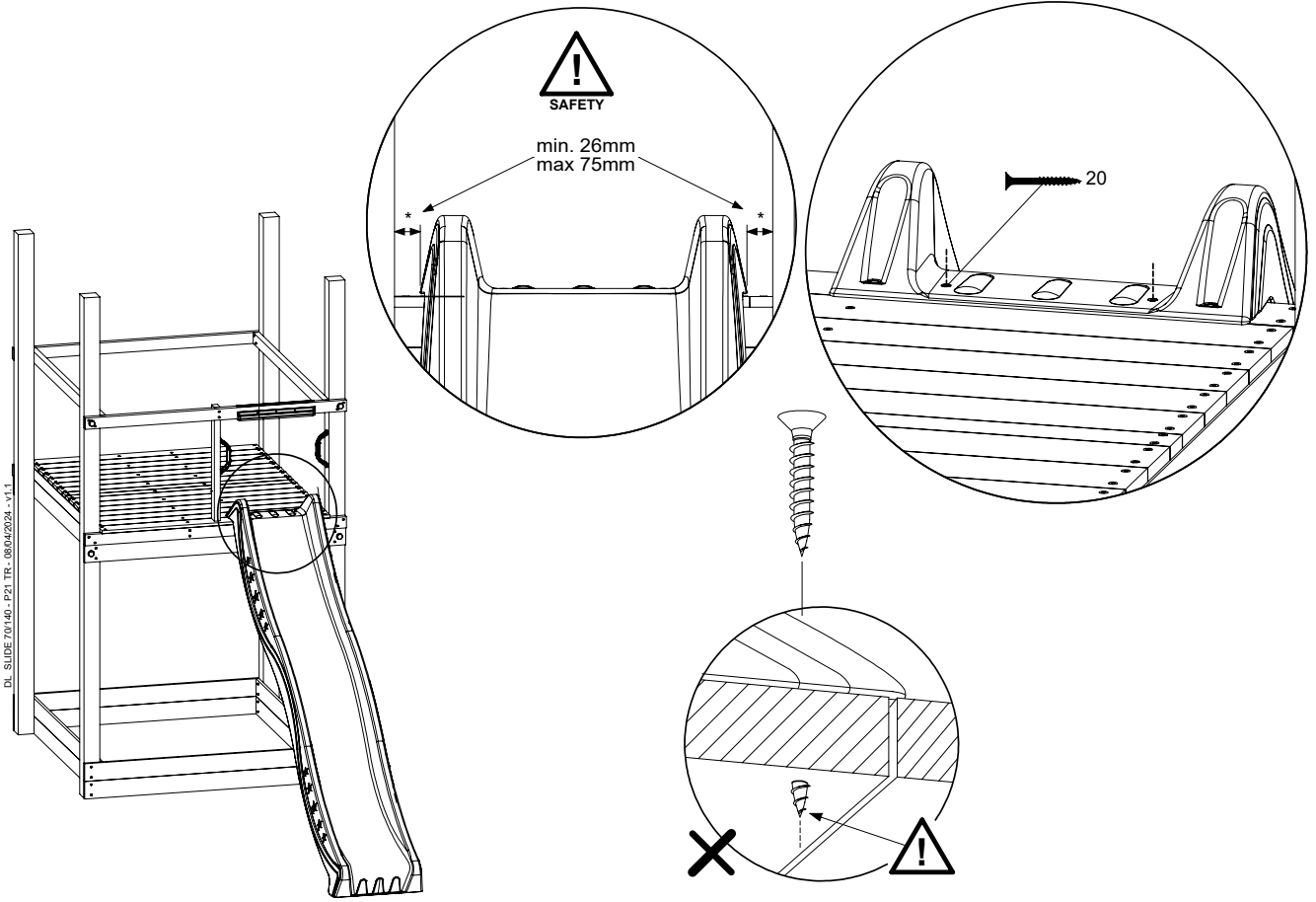


DL SLIDE 70/140 - P05 TR - 08/04/2024 - v1.1

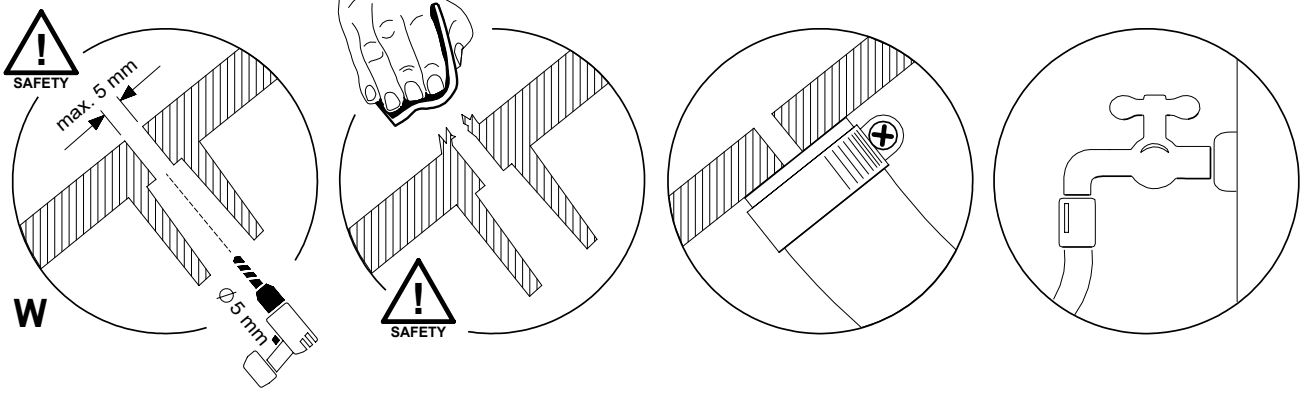
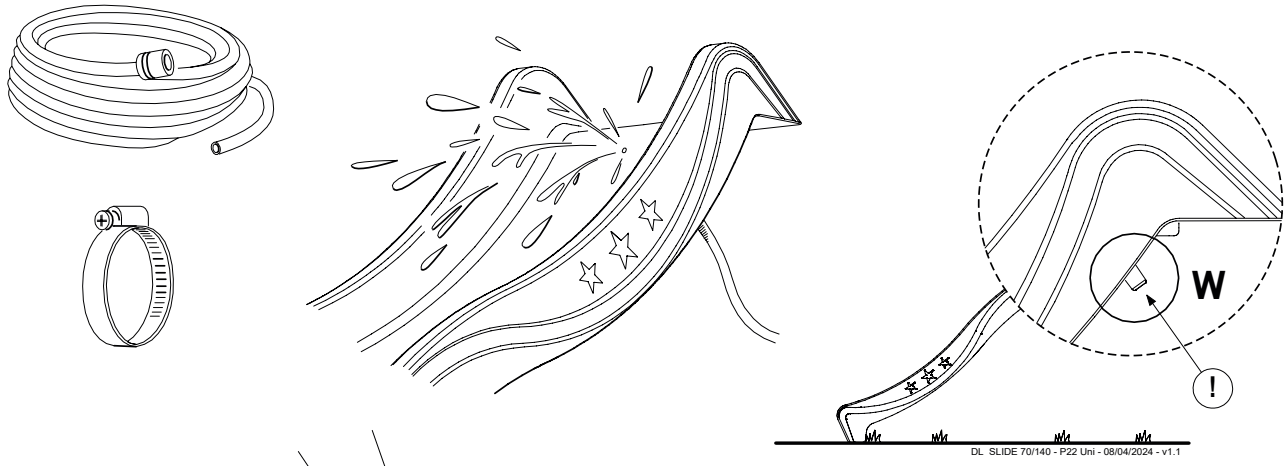


Manual ID: 040\_013\_2419



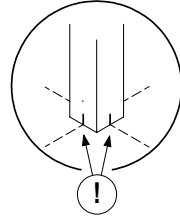
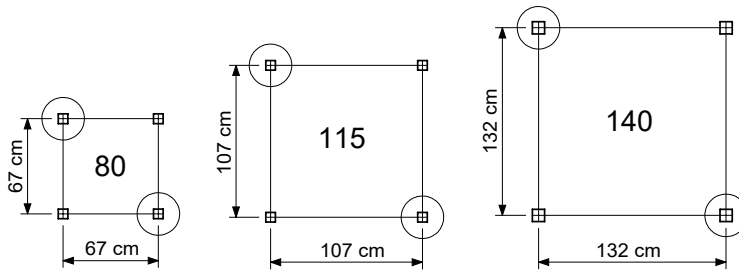
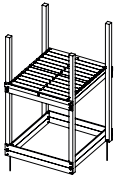


Manual ID: 040\_013\_2419

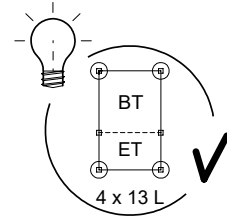
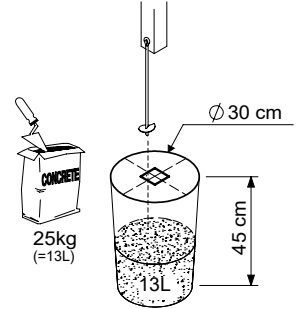
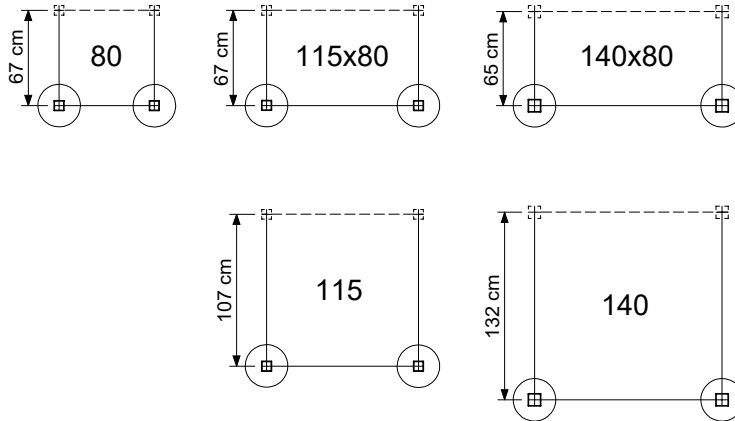
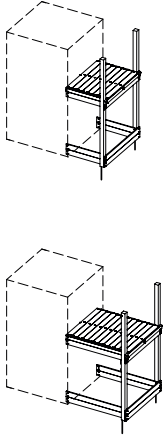


# 11 GA: Ground Anchors

BASE TOWERS

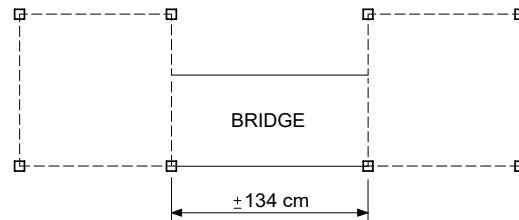
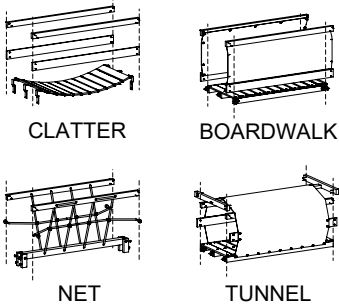


EXTENSION TOWERS



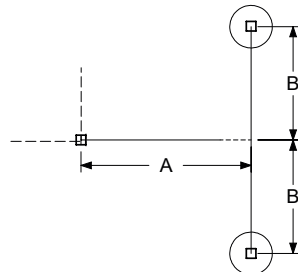
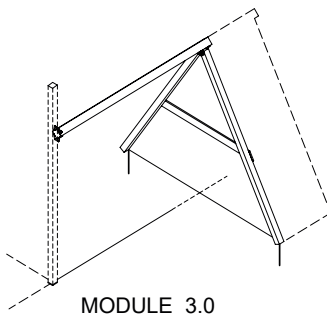
Ground Anchor, Uni. - P03 - 22/07/2025 - V2.3

BRIDGES



Ground Anchor, Uni. - P04 - 22/07/2025 - V2.3

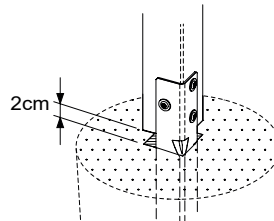
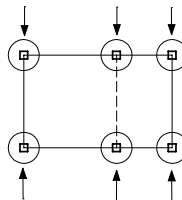
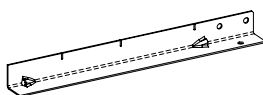
SWING / CLIMB



MODULE 3.0	Module type	A	B
	1-Swing 200 - 3.0	155	110
1-Swing 220 (Extra) - 3.0	115		
1-Climb 200 - 3.0	148	110	
2-Climb 200 - 3.0			
2-Swing 200 - 3.0	215	115	
1-Climb 220 (Extra) - 3.0	170		
2-Climb 220 (Extra) - 3.0	242	115	
2-Swing 220 (Extra) - 3.0	235		

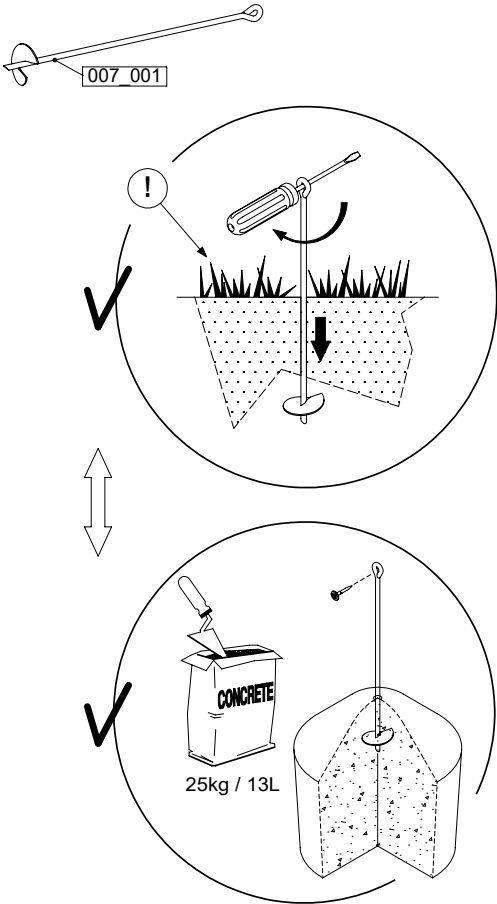
cm

Post ground anchor  
- optional -

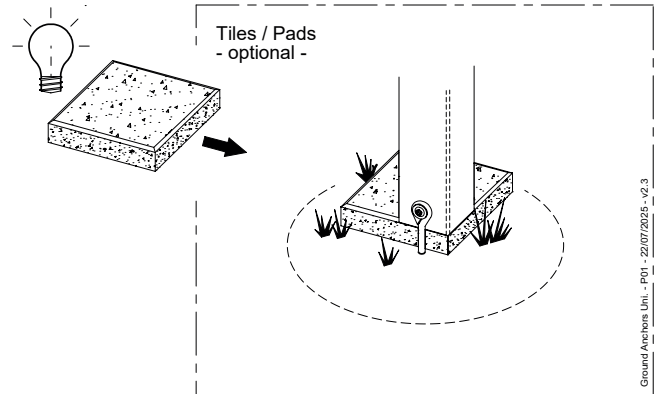
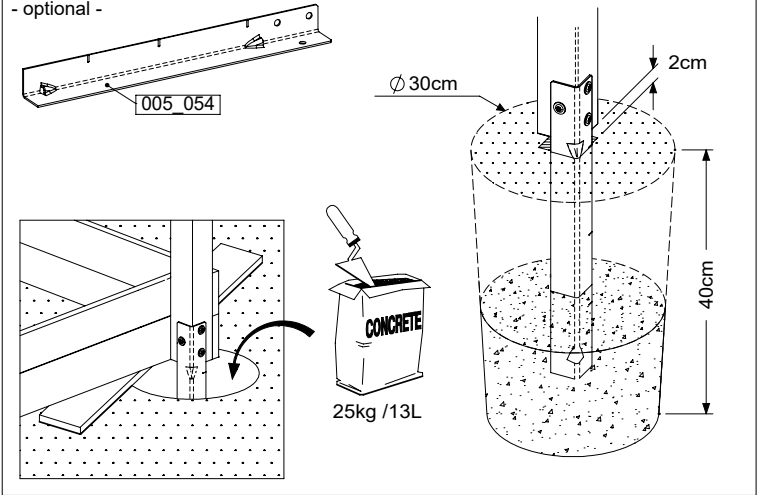


11.1

Screw-in ground anchor

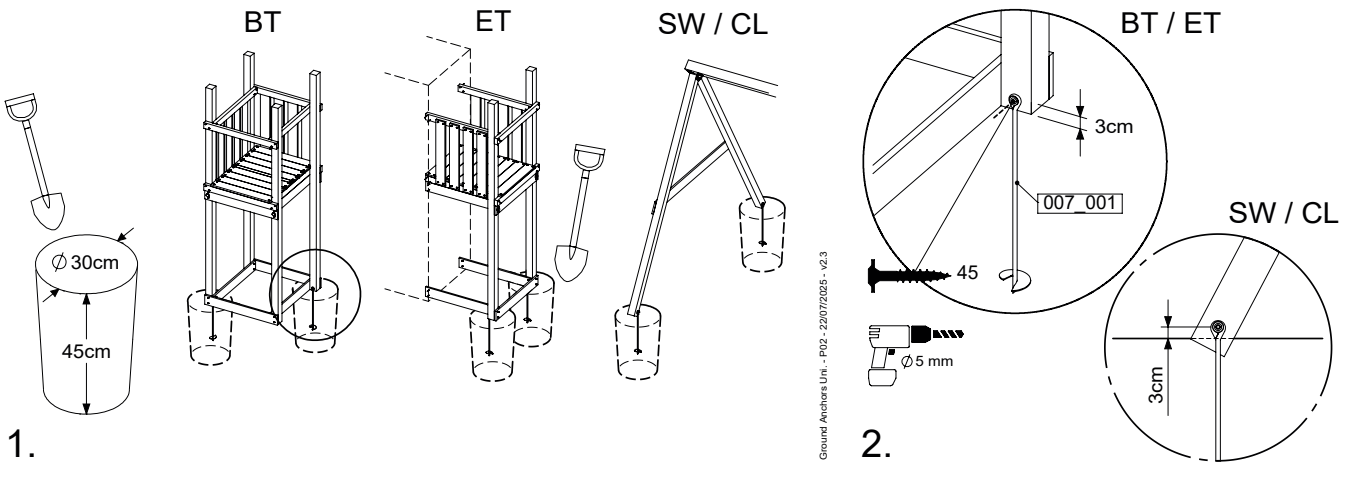


Post ground anchor  
- optional -

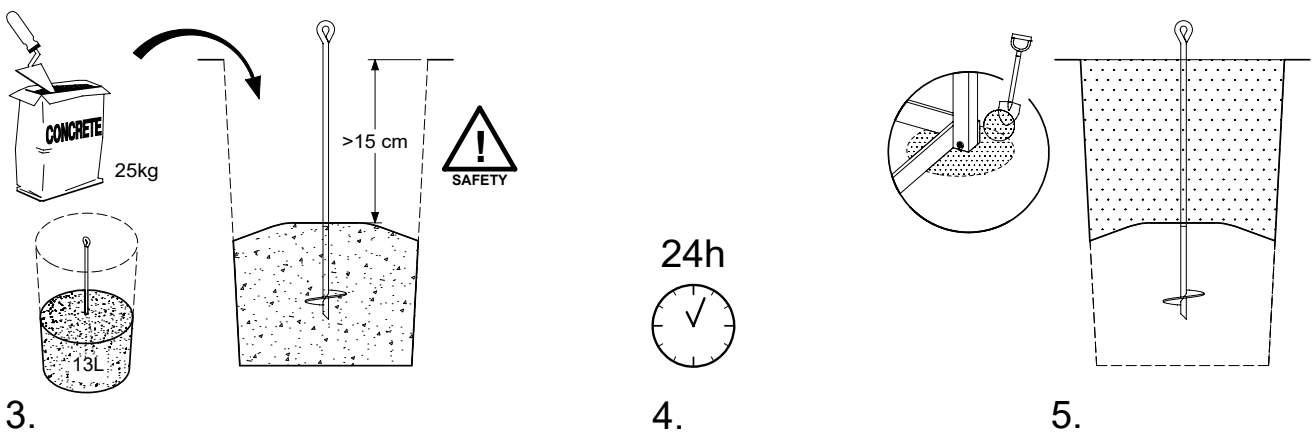


Ground Anchors Unit - P01 - 22/07/2025 - v2.3

Manual ID: 040\_013\_2419



Ground Anchors Unit - P02 - 22/07/2025 - v2.3

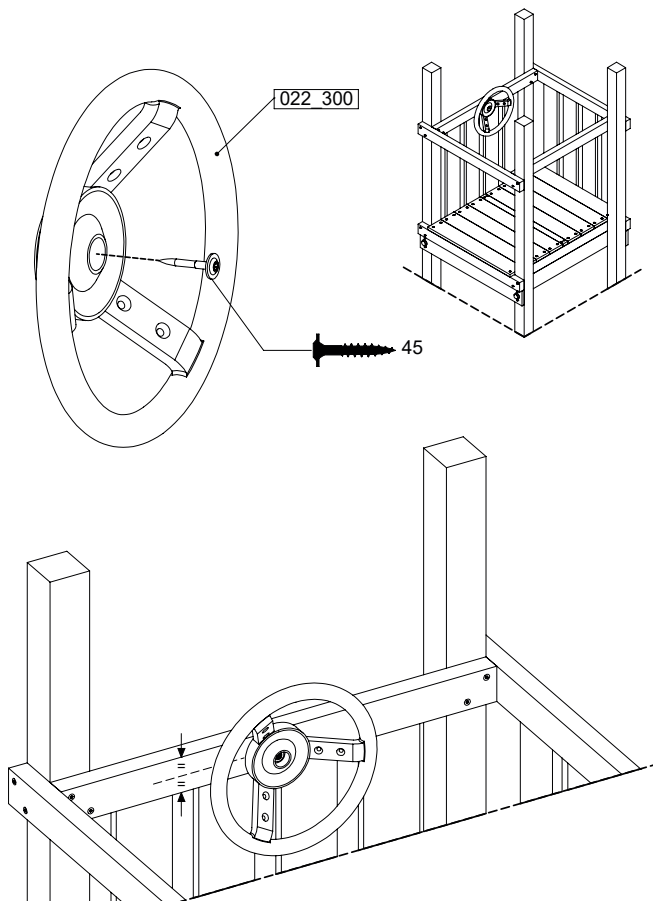
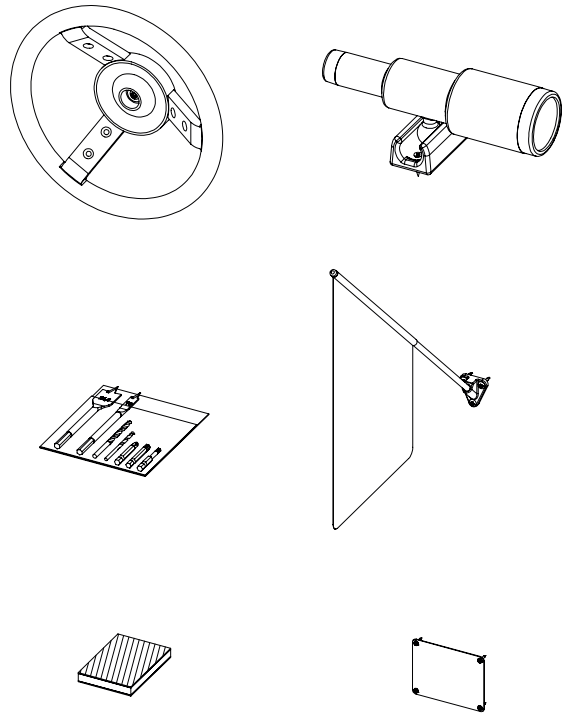


## 12 AC01a: Accessories

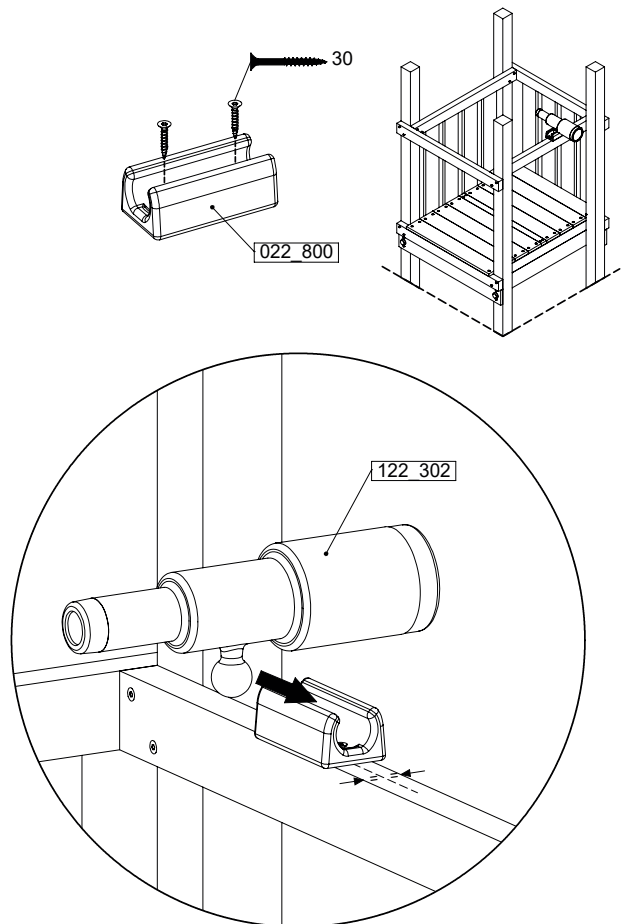
( 194\_119 )

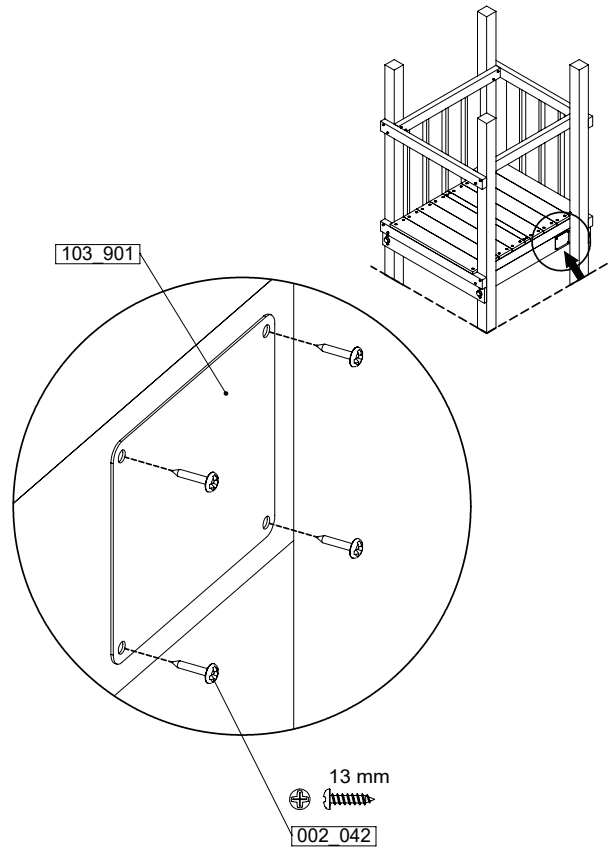
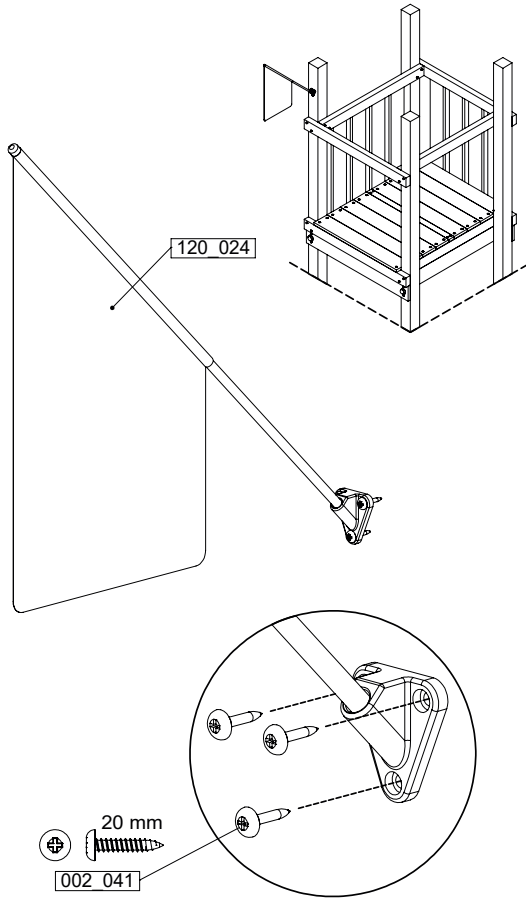
	PartNo	PartName	QTY.
Hardware Pack 100_617	001_406	Stealth Screw 8x45	1
	002_041	Dome head screw 4.5 x 20 mm	3
	002_042	Dome head screw 3.5 x 13mm	4
	002_219	Gap Point Screw T25 - 5x30	2
Other	022_300	Steering Wheel	1
	022_800	Rail P/T 105	1
	022_910	Sandpad	1
	103_901	Logo ID Plate	1
	104_107	Tool Set Climbing Units	1
	120_024	Tower Flag	1
	122_302	Telescope	1

Accessory set - P02 - 24/01/2024 - v5

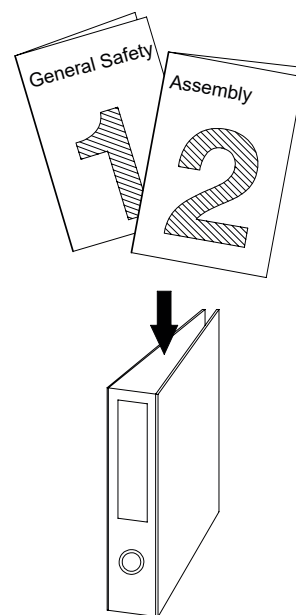
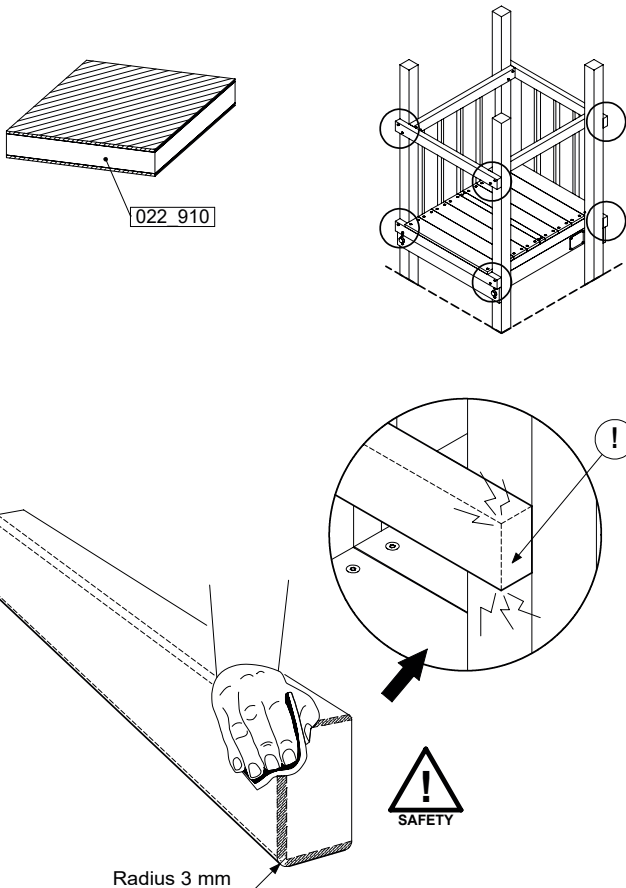


Accessory set - P03 - 24/01/2024 - v5





Accessory set - P04 - 24/01/2024 - v.5



Accessory set - P05 - 24/01/2024 - v.5

Manual ID: 040\_013\_2419



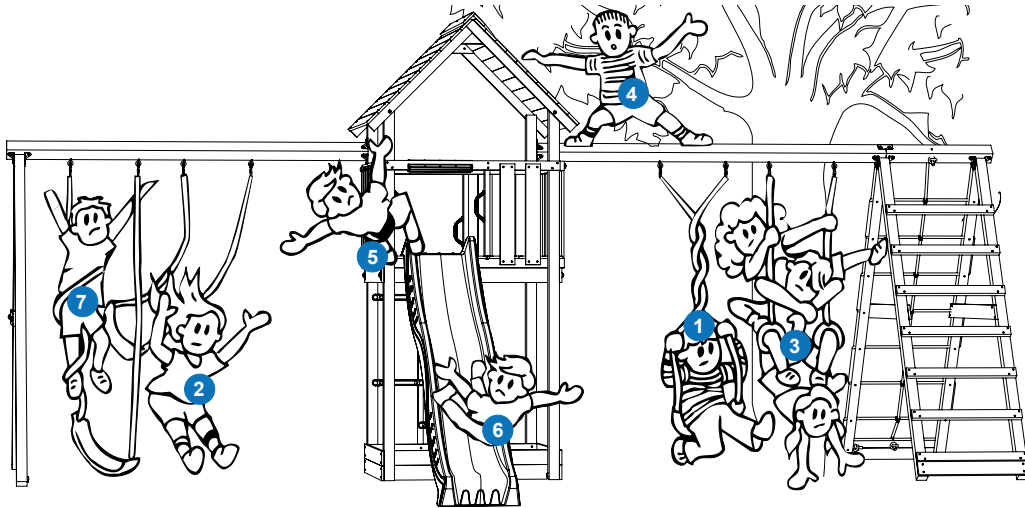
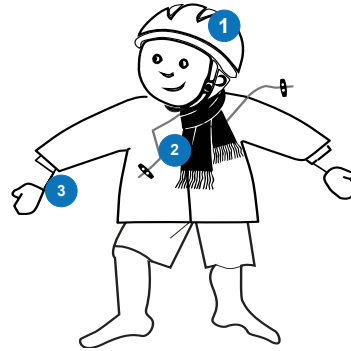
# Safe play instructions and safety notices

## Sichere Spielanweisungen und Sicherheitswarnungen

### Consignes de jeu sécurisé et avis de sécurité




**Maximum number of users**  
**Maximale Benutzerzahl**  
**Le nombre maximal d'utilisateurs**




**Satisfied with the result? We'd love your rating.**  
**Zufrieden mit dem Ergebnis? Teilen Sie Ihre Bewertung.**  
**Satisfait du résultat ? Nous serions ravis de recevoir votre avis.**

Review us on




★★★★★

Scan | Click




Google account required

Review us on



★★★★★

Scan | Click



Trustpilot account required