



Top Rated Product

  
4.5  
★★★★★

verified by Trustindex 

# Assembly instructions

Activity toys to be assembled by adults for outdoor domestic use.

## Montageanleitung

Aktivitätsspielzeug zum Selbstaufbau für den häuslichen Außenbereich.

## Instructions de montage

Jouet d'activité à assembler pour une utilisation familial en extérieur

# 2 PART

00\_assembly\_instructions

Design Code : **ERNYE8**  
Article Number : **211001**  
Product Name : **Jungle Palace 2.1**  
Audit ID : **801\_005**



Manual ID: 040\_005\_2417


3D | 360°  
View



# Jungle Gym

BACKYARD PLAYGROUNDS

since 1988

Assembly time ca.  
  
6.0  
hours  
by 2 adults

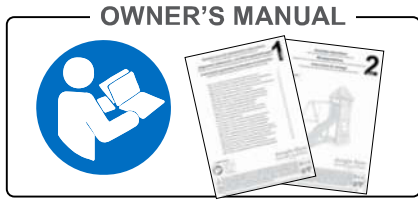


**EN.** Warning! Only for domestic use. Maximum number of users is **7**. **DE.** Achtung! Nur für den Hausgebrauch. Maximale Benutzerzahl: **7**. **FR.** Attention! Réserve à un usage familial. Le nombre maximal d'utilisateurs est de **7**. **BG.** Внимание! За употреба само в домашни условия. Максималният брой потребители е **7**. **CS.** Varování! Jen pro domácí použití. Maximální počet uživatelů je **7**. **DA.** Advarsler! Kun til privat brug. Maksimum antal brugere er **7**. **EL.** Προειδοποίησης! Μόνο για οικιακή χρήση. Μέγιστος αριθμός χρηστών **7**. **ES.** Advertencias! Sólo para uso doméstico. Número máximo de usuarios: **7**. **ET.** Hoiatused! Ainult koduseks kasutamiseks. Maksimaalne kasutajate arv on **7**. **FI.** Varoitukset! Ainoastaan kotikäyttöön. Käyttäjää yhteensä enintään **7**. **HR.** Upozorenja! Samo za uporabu u domu. Maksimalan broj korisnika je **7**. **HU.** Figyelmeztetések! Csak otthoni használatra! A használók max. száma: **7**. **IS.** Varnaðarorð! Eingöngu fyrir einkanoðkun í heimahúsum og á einkalóum. Hámarksfjöldi notenda er **7**. **IT.** Avvertenze! Solo per uso domestico. Massimo numero di utenti è **7**. **LT.** Dėmesio! Tik buitiniam naudojimui. Maksimalus naudotojų skaičius **7**. **LV.** Brīdinājumi. Izmantot tikai mājās. Maksimālais lietotāju skaits ir **7**. **NL.** Waarschuwing! Uitsluitend voor huishoudelijk gebruik. Het maximale aantal gebruikers is **7**. **NO.** Advarsler! Kun for privat bruk. Maksimalt antall brukere er **7**. **PL.** Ostrzeżenia! Wyłącznie do użytku domowego. Maksymalna liczba użytkowników to **7**. **PT.** Avisos! Apenas para uso doméstico. O número máximo de utilizadores é **7**. **RO.** Avertismente! Numai pentru uz domestic. Numărul maxim de utilizatori este **7**. **SK.** Upozornenia! Iba na domáce použítie. Maximálne množstvo osôb je **7**. **SL.** Opozorila! Samo za domačo uporabo. Maksimalno število uporabnikov je **7**. **SV.** Varningar! Endast för hemmabruk. Det maximala antalet användare är **7**.





# Safety symbols Sicherheitssymbole Symboles de sécurité



**Important:** Before assembling and using this product, please carefully read the provided Use- and maintenance instructions (Part 1) and assembly instructions (Part 2) thoroughly.

**Wichtig:** Lesen Sie vor der Montage und Benutzung dieses Produkts die beiliegende Gebrauchs- und Wartungsanweisungen (Teil 1) und die Montageanleitung (Teil 2) sorgfältig durch.

**Important:** Avant de monter et d'utiliser ce produit, veuillez lire attentivement. Conseils d'utilisation et d'entretien (Partie 1) et les instructions de montage (Partie 2).



**Mandatory provisions**  
Gebotsbestimmungen  
Dispositions obligatoires



1-5  
**Warnings!**  
Achtung!  
Attention!



1-12  
**Potential hazards**  
Potenzielle Gefahren  
Dangers potentiels



1-7  
**Installation and safety notices**  
Installations- und Sicherheitshinweise  
Instructions d'installation et de sécurité



1-14  
**Assembly and safety notices**  
Montage- und Sicherheitshinweise  
Instructions de montage et de sécurité



1-7  
**Safe play instructions and safety notices**  
Sichere Spielanweisungen und Sicherheitswarnungen  
Consignes de jeu sécurisé et avis de sécurité



## Customer service Kundendienst Service client



 [Frequently Asked Questions](#)

 [Häufig gestellte Fragen](#)

 [Foire aux questions](#)

 [Veelgestelde Vragen](#)



 EU +31 85 44 44 102 \*

[info@junglegym.com](mailto:info@junglegym.com)

[www.junglegym.com](http://www.junglegym.com)

[instagram.com/junglegymofficial](https://www.instagram.com/junglegymofficial)

\* International phone charges may apply.

**Availability:**

**Monday – Thursday:**

CET 09:00 AM – 04:00 PM

**Friday:**

CET 09:00 AM – 01:00 PM



# Preparation Vorbereitung Préparation



**Complete composition and delivery overview**  
**Vollständige Zusammensetzung und Lieferübersicht**  
**Aperçu complet de la composition et de la livraison**



8

Part 1



OR



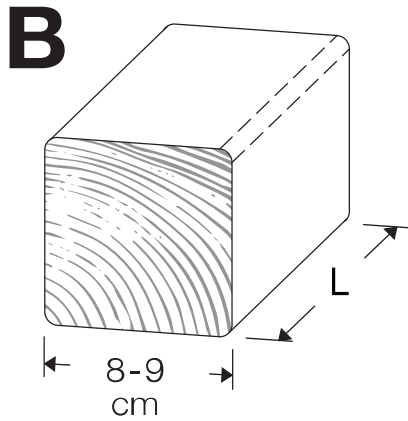
To avoid danger of suffocation, please keep the bag away from children.  
 Um Erstickungsgefahr zu vermeiden, halten Sie die Tüte bitte von Kindern fern.  
 Pour éviter tout risque d'étouffement, gardez le sac hors de portée des enfants.

Choking hazard – may not be suitable for children under 3 years.  
 Erstickungsgefahr – möglicherweise nicht geeignet für Kinder unter 3 Jahren.  
 Risque d'étouffement – peut ne pas convenir aux enfants de moins de 3 ans.

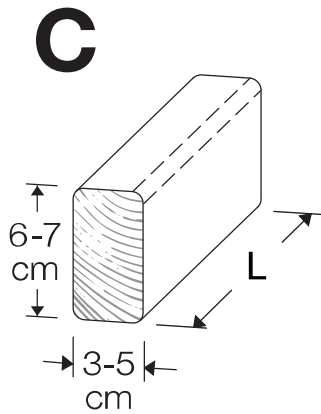


#	Print ID	Description	FFC ID
1	BT20a	Base Tower 140_270270_145	701_005
1	ET35a	Extension Tower 14080_240_180	
1	RF14b	Roof Timber Gable 140	
2	BL06a	Balustrade 140_ T	
1	BL10a	Balustrade 70/140_ T R	
2	BL21a	Balustrade 14080_ U 9x9	
1	RW19a	Rock wall 70/140_145 T L	
1	LA24a	Ladder 70/140_145 U R	
1	SL26a	Slide Frame 70/140_145 U L	
1	AC01a	Accessories Set	
1	334_x00	Wavy Star Slide XXL	334_x00

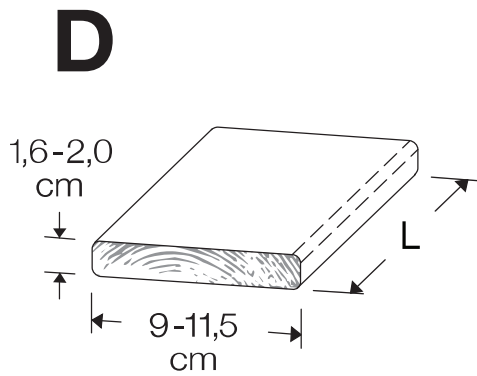
Timber parts list  
 Stückliste Holzteile  
 Liste des pièces en bois



B240	239 cm - 240 cm	2
B270	269 cm - 270 cm	4



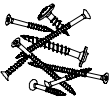

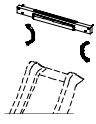
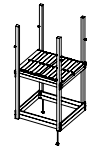

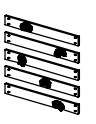




C70	69 cm - 70 cm	3
C74	73 cm - 74 cm	6
C108	107 cm - 108 cm	2
C114	113 cm - 114 cm	2
C141	140 cm - 141 cm	11
C150	149 cm - 150 cm	2
C206	205 cm - 206 cm	1



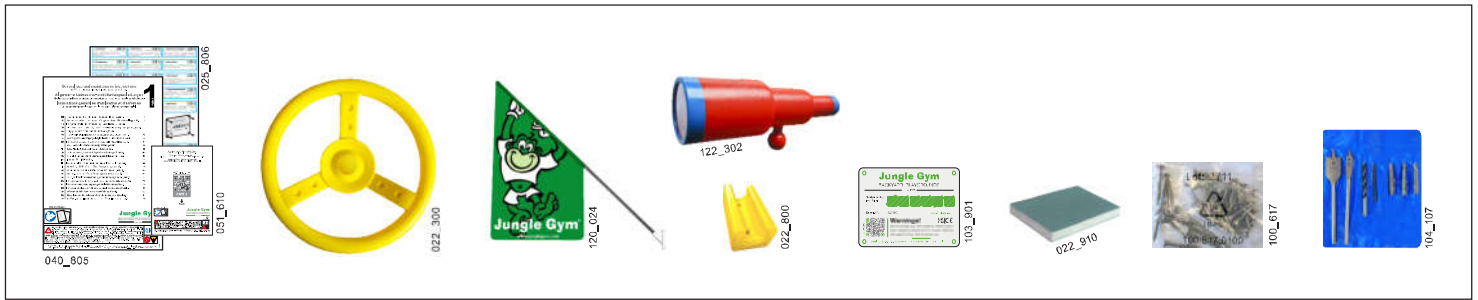
D65	64 cm - 65 cm	33
D74	73 cm - 74 cm	6
D123	122 cm - 123 cm	26
D141	140 cm - 141 cm	19
D154	153 cm - 154 cm	28



Hardware package and accessory registration  
 Hardwarebeutel- und Zubehörregistrierung  
 Enregistrement du sachet de quincaillerie et des accessoires

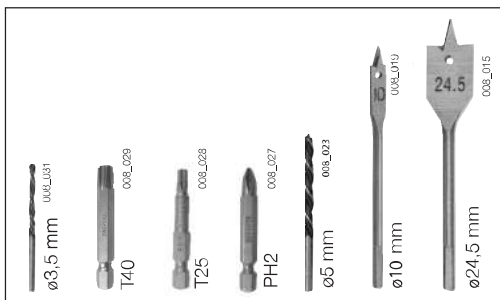
<p>Hardware 04</p>  <p><b>H04</b></p> <p>Nº 194_804</p> <p><b>1x</b></p> <p>LOT: <input type="checkbox"/> <input type="checkbox"/> <input type="checkbox"/> <input type="checkbox"/> <input type="checkbox"/> <input type="checkbox"/> <input type="checkbox"/> <input type="checkbox"/> <input type="checkbox"/> <input type="checkbox"/></p>	<p>Hardware 01</p>  <p><b>H01</b></p> <p>Nº 194_101</p> <p><b>3x</b></p> <p>LOT: <input type="checkbox"/> <input type="checkbox"/> <input type="checkbox"/> <input type="checkbox"/> <input type="checkbox"/> <input type="checkbox"/> <input type="checkbox"/> <input type="checkbox"/> <input type="checkbox"/> <input type="checkbox"/></p>	<p>Slide Frame</p>  <p><b>SL</b></p> <p>Nº 194_107</p> <p><b>1x</b></p> <p>LOT: <input type="checkbox"/> <input type="checkbox"/> <input type="checkbox"/> <input type="checkbox"/> <input type="checkbox"/> <input type="checkbox"/> <input type="checkbox"/> <input type="checkbox"/> <input type="checkbox"/> <input type="checkbox"/></p>	<p>Tower 115</p>  <p><b>BT ET</b></p> <p>Nº 194_300</p> <p><b>1x</b></p> <p>LOT: <input type="checkbox"/> <input type="checkbox"/> <input type="checkbox"/> <input type="checkbox"/> <input type="checkbox"/> <input type="checkbox"/> <input type="checkbox"/> <input type="checkbox"/> <input type="checkbox"/> <input type="checkbox"/></p>	<p>AP Manual &amp; Accessory set</p>  <p><b>AC</b></p> <p>Nº 194_119</p> <p><b>1x</b></p> <p>LOT: <input type="checkbox"/> <input type="checkbox"/> <input type="checkbox"/> <input type="checkbox"/> <input type="checkbox"/> <input type="checkbox"/> <input type="checkbox"/> <input type="checkbox"/> <input type="checkbox"/> <input type="checkbox"/></p>
<p>Rock Wall</p>  <p><b>RW</b></p> <p>Nº 194_006</p> <p><b>1x</b></p> <p>LOT: <input type="checkbox"/> <input type="checkbox"/> <input type="checkbox"/> <input type="checkbox"/> <input type="checkbox"/> <input type="checkbox"/> <input type="checkbox"/> <input type="checkbox"/> <input type="checkbox"/> <input type="checkbox"/></p>	<p>Slide XXL 2.6m</p>  <p><b>1x</b></p> <p>Nº 334_x00</p> <p><b>1x</b></p> <p>LOT: <input type="checkbox"/> <input type="checkbox"/> <input type="checkbox"/> <input type="checkbox"/> <input type="checkbox"/> <input type="checkbox"/> <input type="checkbox"/> <input type="checkbox"/> <input type="checkbox"/> <input type="checkbox"/></p>	<p>Tower 140</p>  <p><b>BT ET</b></p> <p>Nº 194_500</p> <p><b>1x</b></p> <p>LOT: <input type="checkbox"/> <input type="checkbox"/> <input type="checkbox"/> <input type="checkbox"/> <input type="checkbox"/> <input type="checkbox"/> <input type="checkbox"/> <input type="checkbox"/> <input type="checkbox"/> <input type="checkbox"/></p>	<p>Hardware 03</p>  <p><b>H03</b></p> <p>Nº 194_501</p> <p><b>2x</b></p> <p>LOT: <input type="checkbox"/> <input type="checkbox"/> <input type="checkbox"/> <input type="checkbox"/> <input type="checkbox"/> <input type="checkbox"/> <input type="checkbox"/> <input type="checkbox"/> <input type="checkbox"/> <input type="checkbox"/></p>	<p>Ladder 145</p>  <p><b>LA</b></p> <p>Nº 194_004</p> <p><b>1x</b></p> <p>LOT: <input type="checkbox"/> <input type="checkbox"/> <input type="checkbox"/> <input type="checkbox"/> <input type="checkbox"/> <input type="checkbox"/> <input type="checkbox"/> <input type="checkbox"/> <input type="checkbox"/> <input type="checkbox"/></p>

**Standard Scope of Delivery**  
**Standard-Lieferumfang**  
**Contenu Standard de la Livraison**



194\_119

**Overview bit and drill bit references**  
**Bit-Übersicht und Bohrer-Referenzen**  
**Aperçu des embouts et références de forets**



**Fastening hardware & component references**  
**Befestigungsmaterial und Komponentenreferenzen**  
**Références de fixation et de composants**

		#	L
 ø 5 T-40	 ø 8.0 mm	001_404	30 mm
		001_406	45 mm
		001_411	60 mm
		001_417	80 mm
		001_422	137 mm
 ø 10 T-40	 M8	001_102	30 mm
		000_101	20 mm
 ø 3.5 T-25	 ø 6.3 mm	002_036	16 mm
		002_041	20 mm
 ø 3.5 PH-2	 ø 4.5 mm	002_042	13 mm
		002_301	40 mm

		#	L
 ø 3.5 T-25	 ø 5.0 mm	002_308	20 mm
		002_219	30 mm
		002_220	45 mm
		002_223	80 mm
 ø 10	 M8	004_050	22mm
		003_010	
	 M6	003_034	
		022_845	Yellow
		022_846	Blue
		022_847	Green
		022_848	Red
		023_031	White
	 022_844      022_314	120_005	White



# Registration & warnings Registrierung & Warnhinweise Enregistrement & avertissements

Climbing frame identification  
Klettergerüst-Identifizierung  
Identification de l'aire de jeux



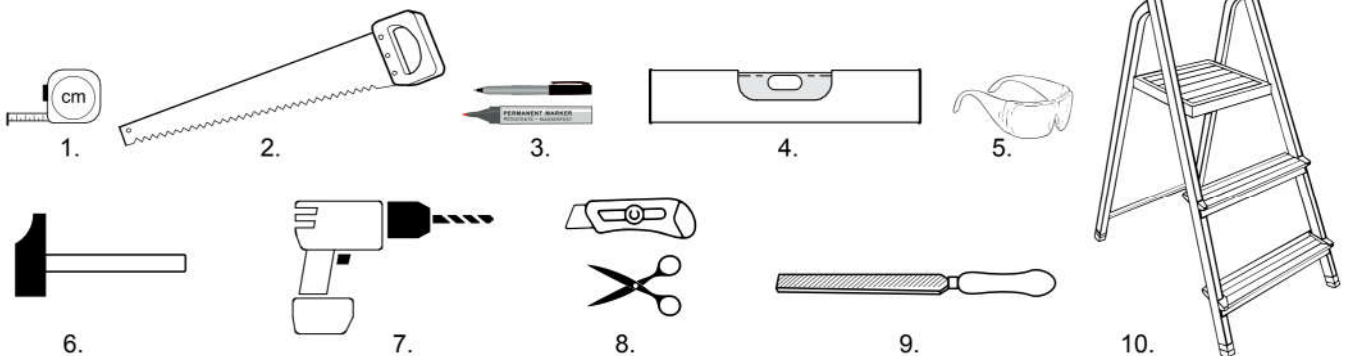
Use warnings  
Gebrauchswarnungen  
Avertissements d'usage



Manual ID: 040\_005\_2417



# Required tools Benötigtes Werkzeug Outils nécessaires





# Installation and safety notices

## Installations- und Sicherheitshinweise

## Instructions d'installation et de sécurité

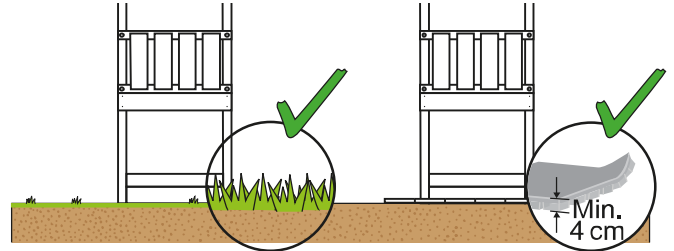
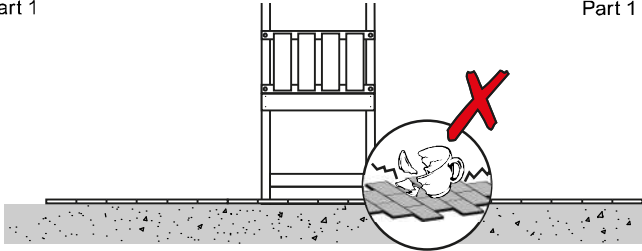


Part 1

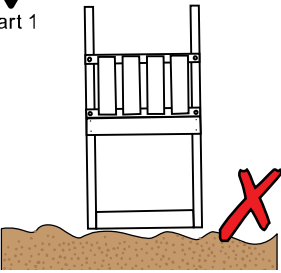


6

Part 1

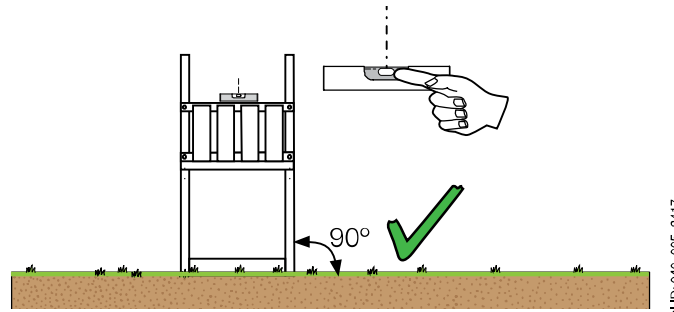
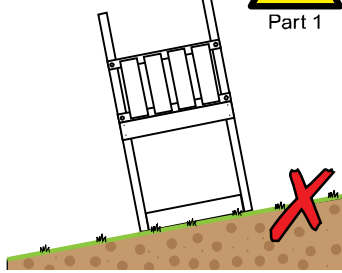


Part 1

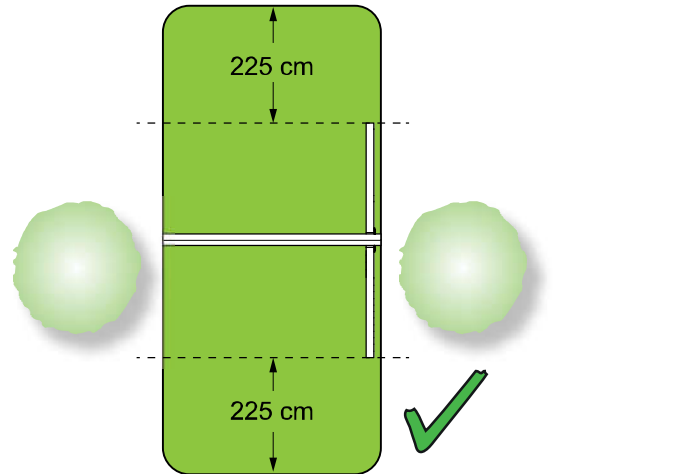
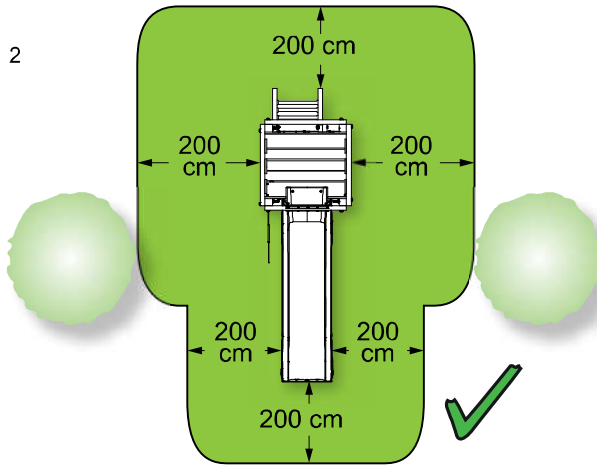


10

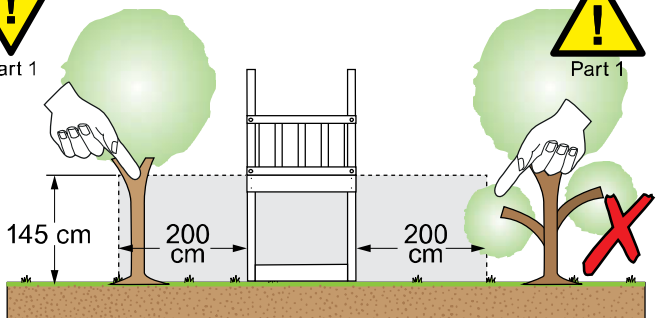
Part 1



Part 1

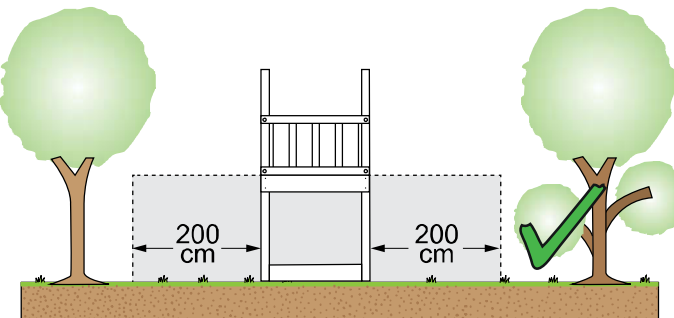


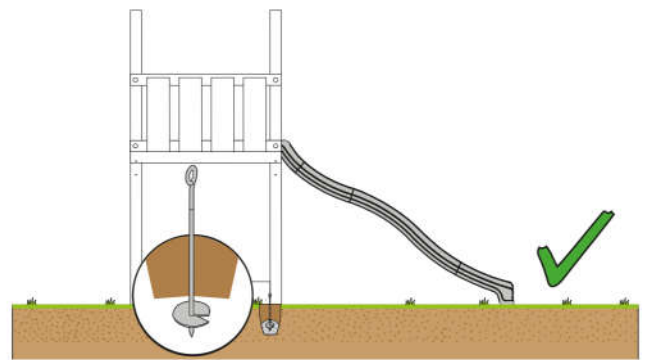
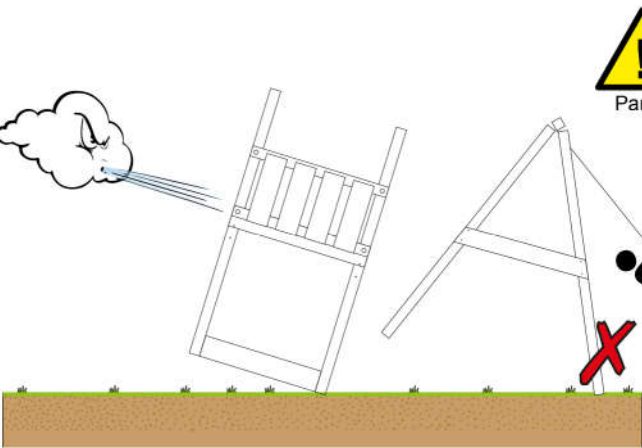
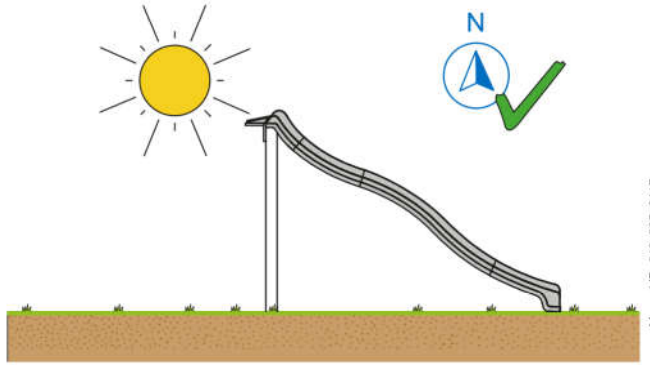
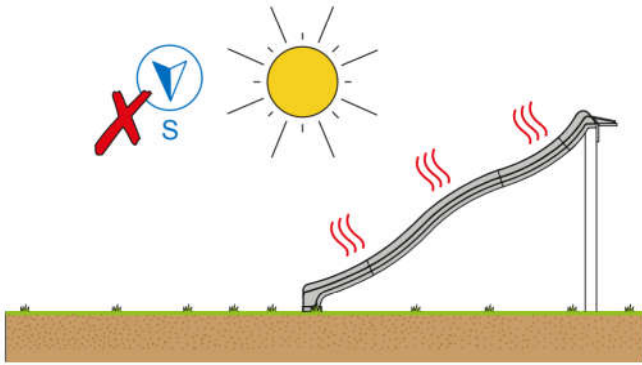
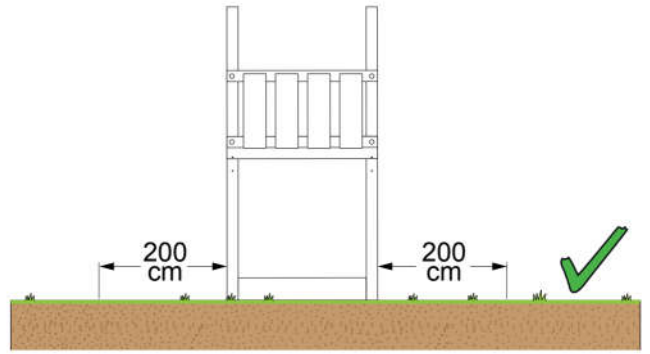
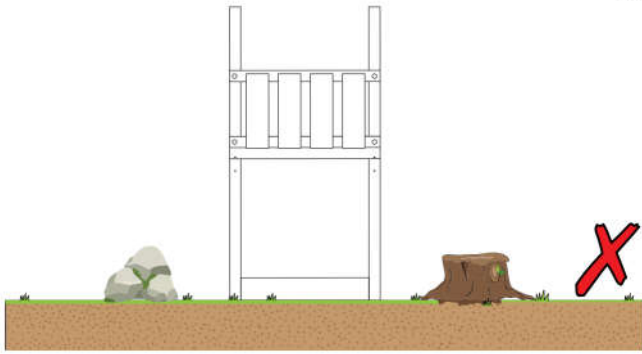
Part 1



3 & 6

Part 1

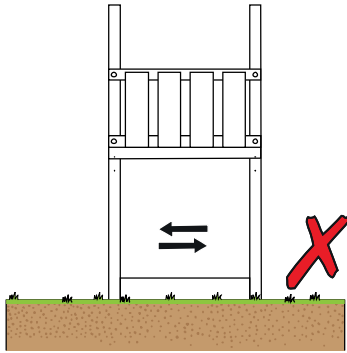




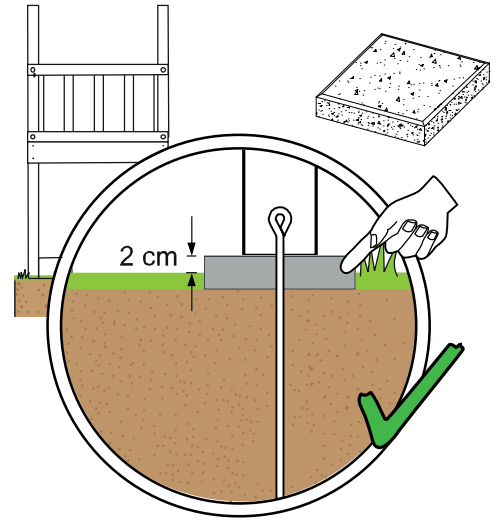
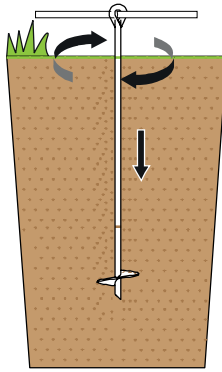
Manual ID: 040\_005\_2417



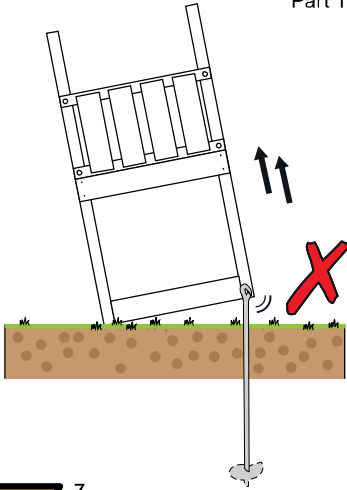
Part 1



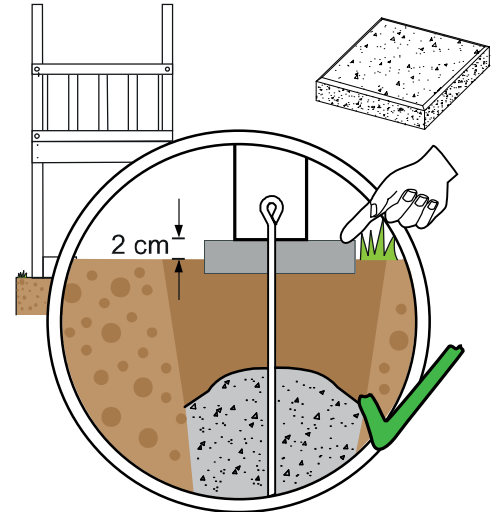
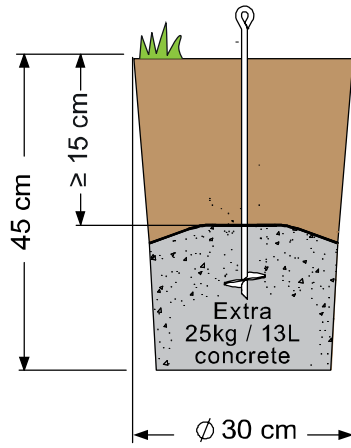
Part 1



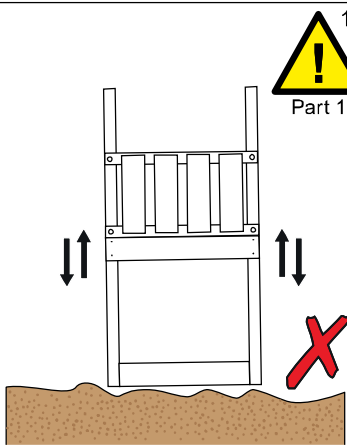
Part 1



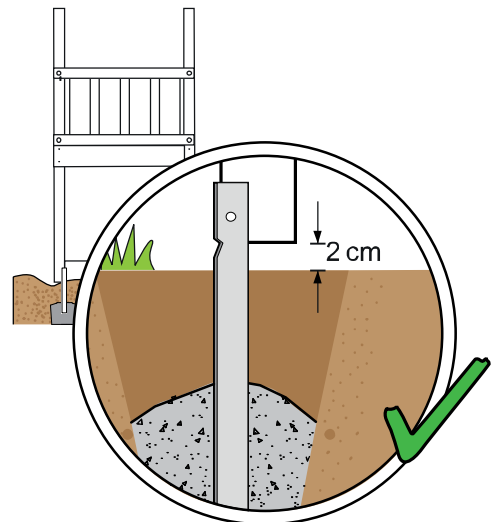
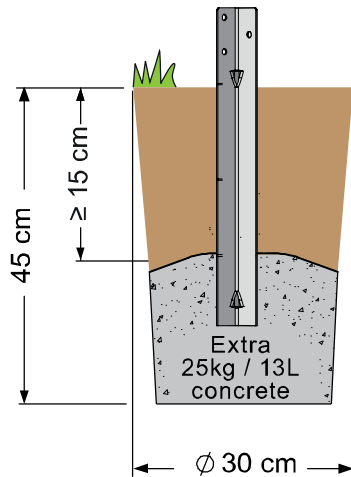
Part 1



Part 1



Part 1



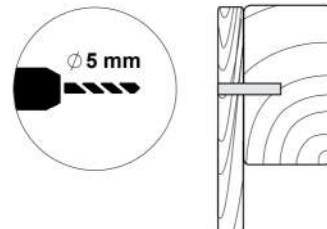
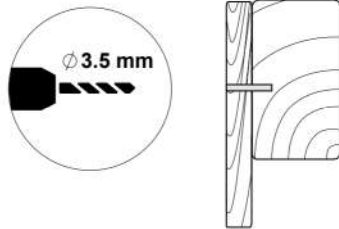
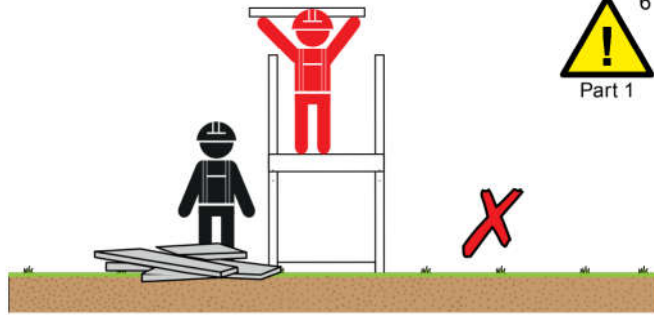
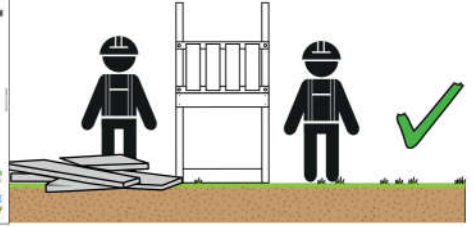
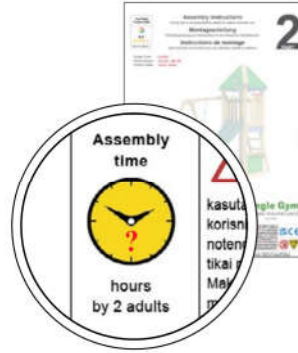
### Optional: Post anchors



# Assembly and safety notices

## Montage- und Sicherheitshinweise

### Instructions de montage et de sécurité

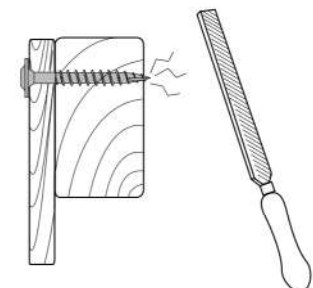
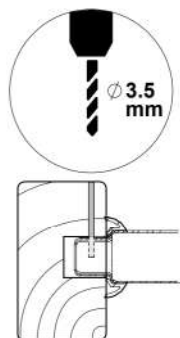


80mm 

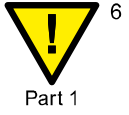
80mm 

45mm 

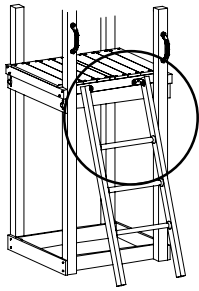
45mm 



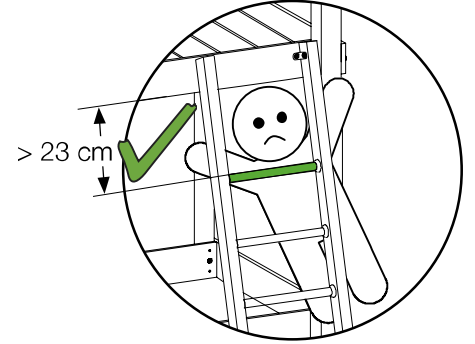
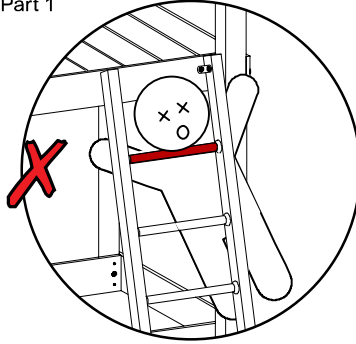
Manual ID: 040\_005\_2417



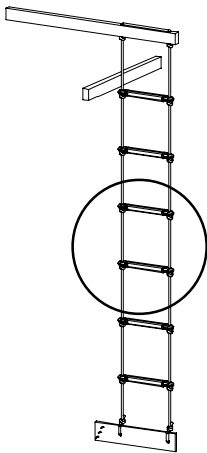
Part 1



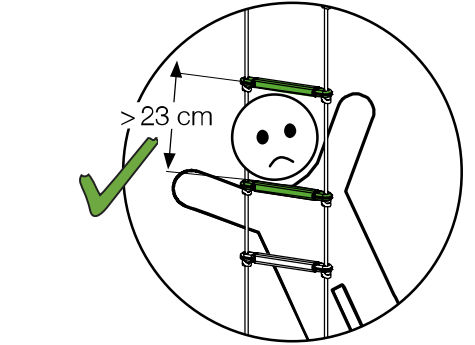
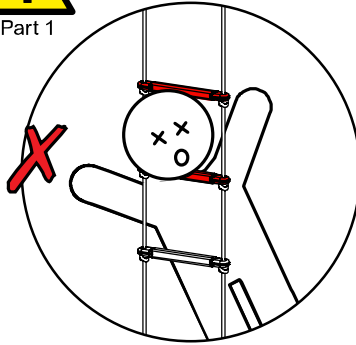
Part 1



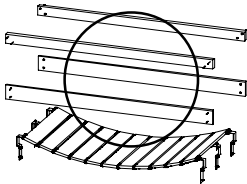
Part 1



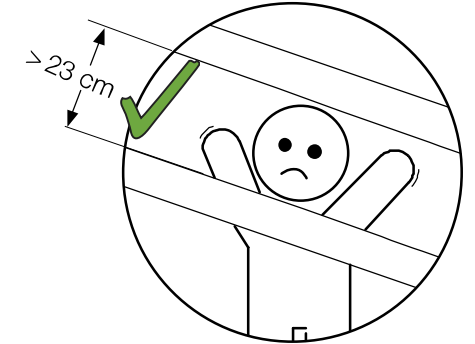
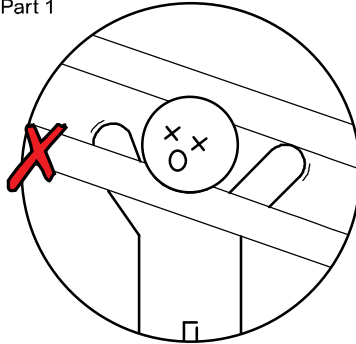
Part 1



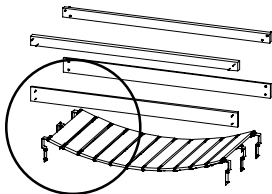
Part 1



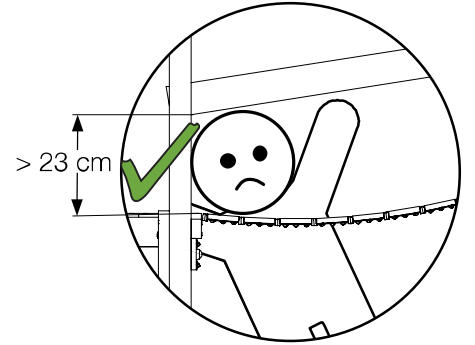
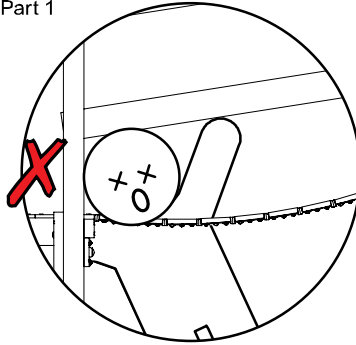
Part 1

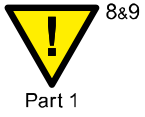


Part 1



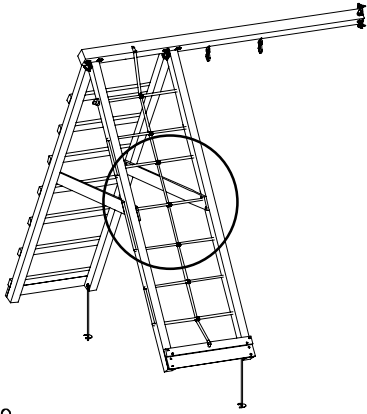
Part 1





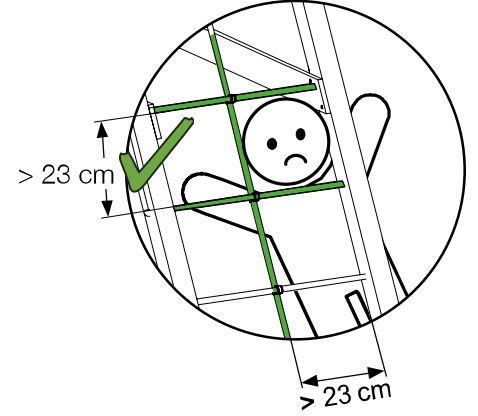
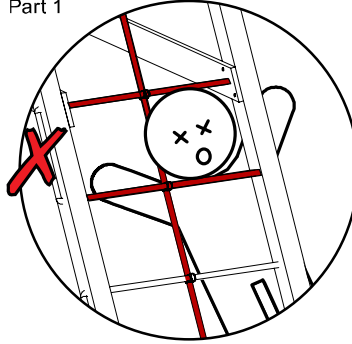
8&9

Part 1



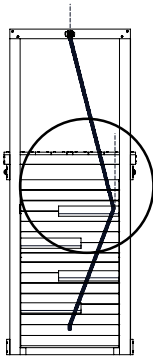
9

Part 1



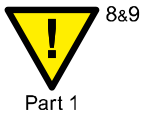
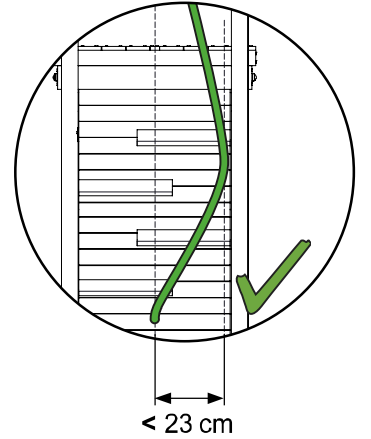
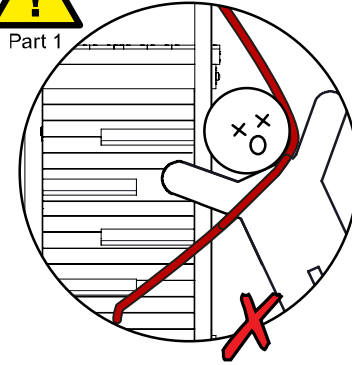
8&9

Part 1



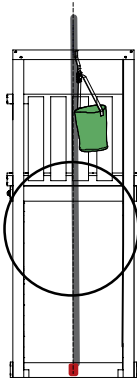
9

Part 1



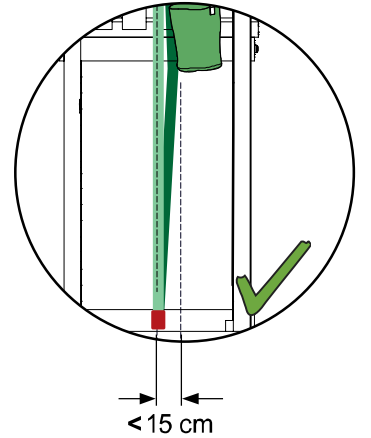
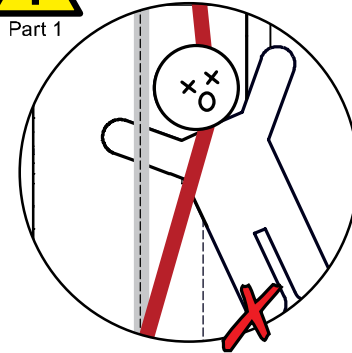
8&9

Part 1



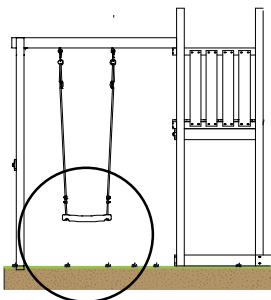
9

Part 1



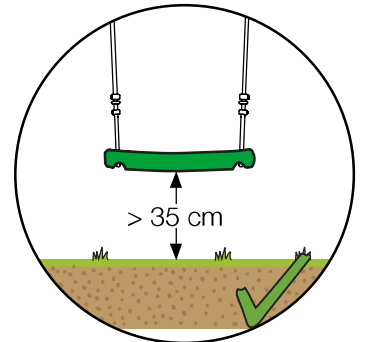
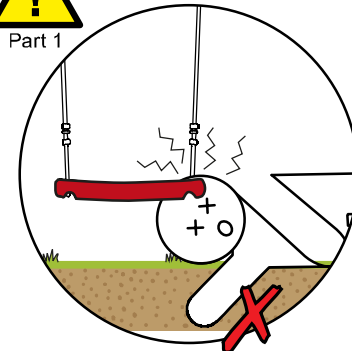
8&9

Part 1



3

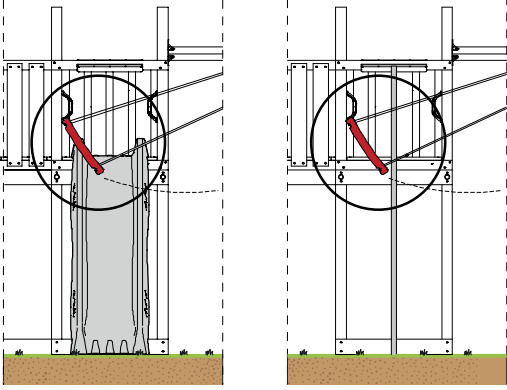
Part 1





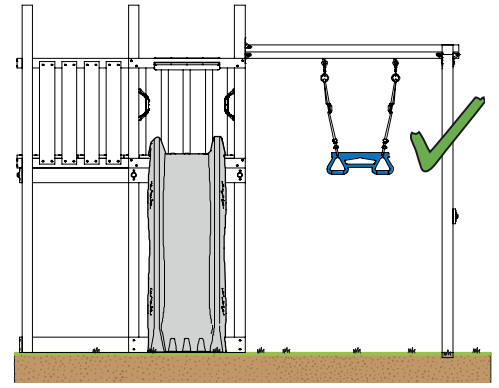
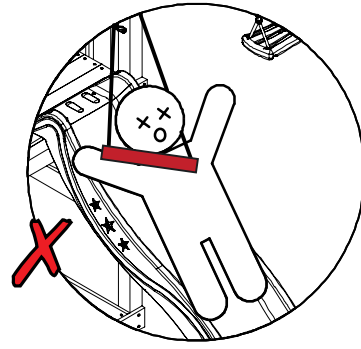
10

Part 1



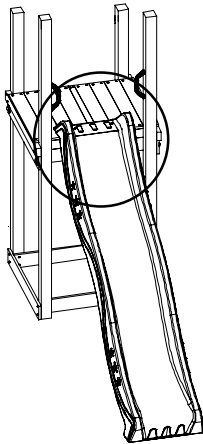
4&9

Part 1



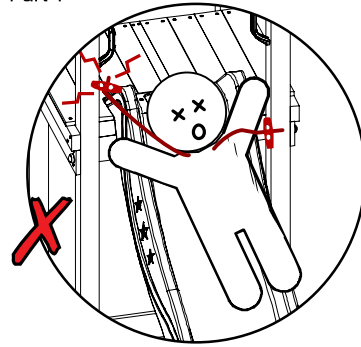
10

Part 1

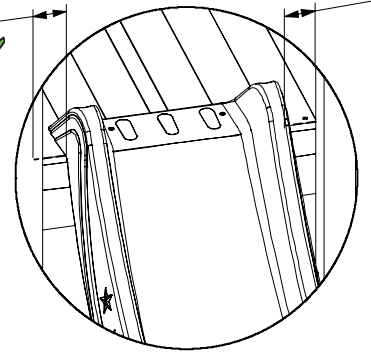


4&9

Part 1



min. 26 mm  
max. 75 mm

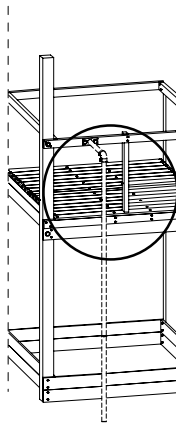


min. 26 mm  
max. 75 mm



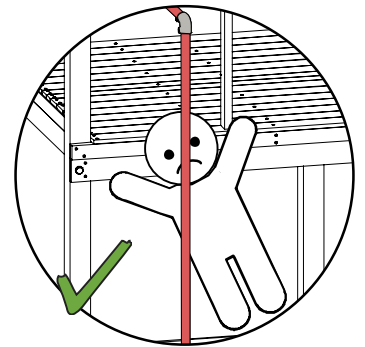
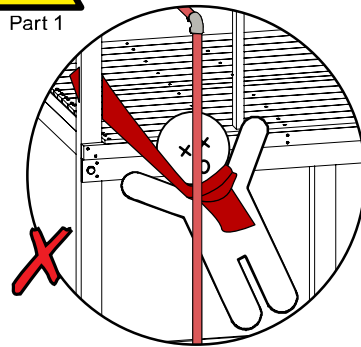
10

Part 1



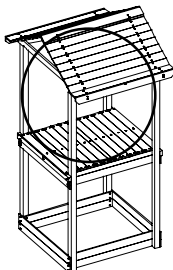
4&9

Part 1



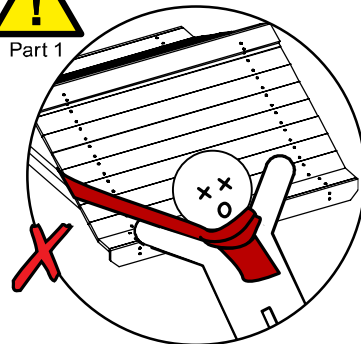
13

Part 1



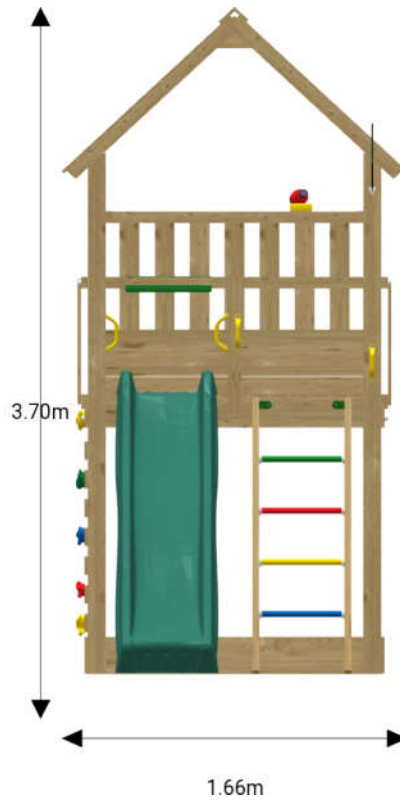
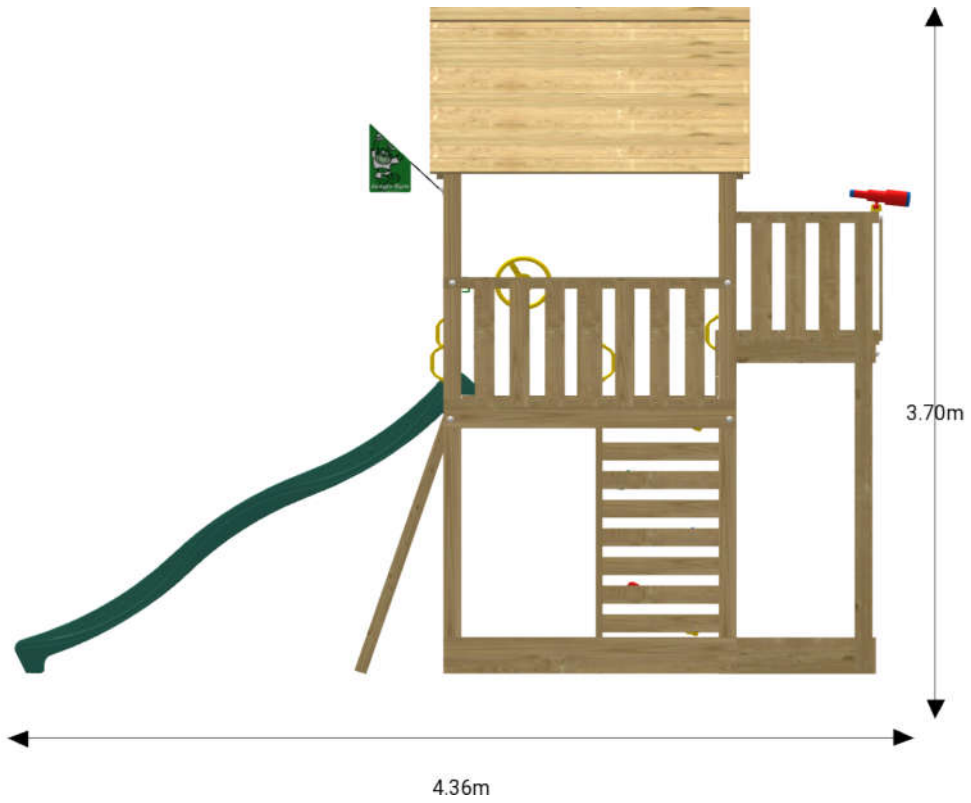
4&9

Part 1



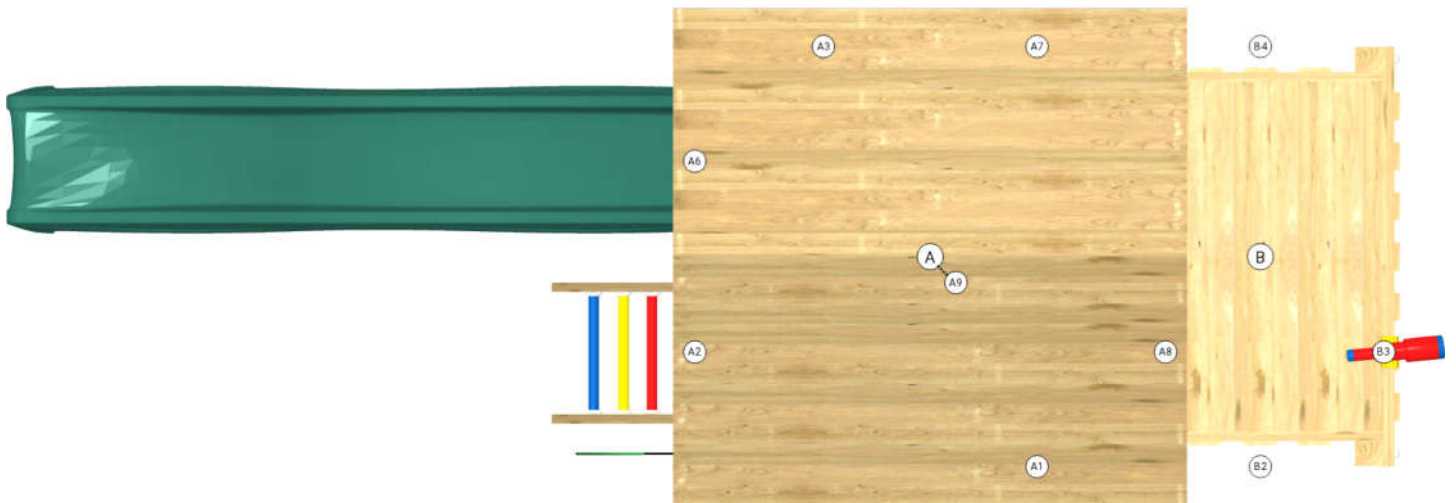
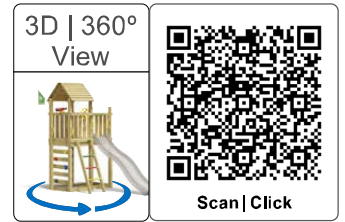


# Dimensions Abmessungen Dimensions







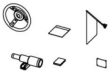


# Assembly sequence Montagereihenfolge Séquence d'assemblage



	Print ID			Positions
1	BT20a		p.19	(A)
2	ET35a		p.22	(A8) (B)
3	BL06a		p.25	(A1) (B3)
4	BL10a		p.26	(A3)
5	BL21a		p.27	(B2) (B4)
6	RF14b		p.28	(A9)

Manual ID: 040\_005\_2417

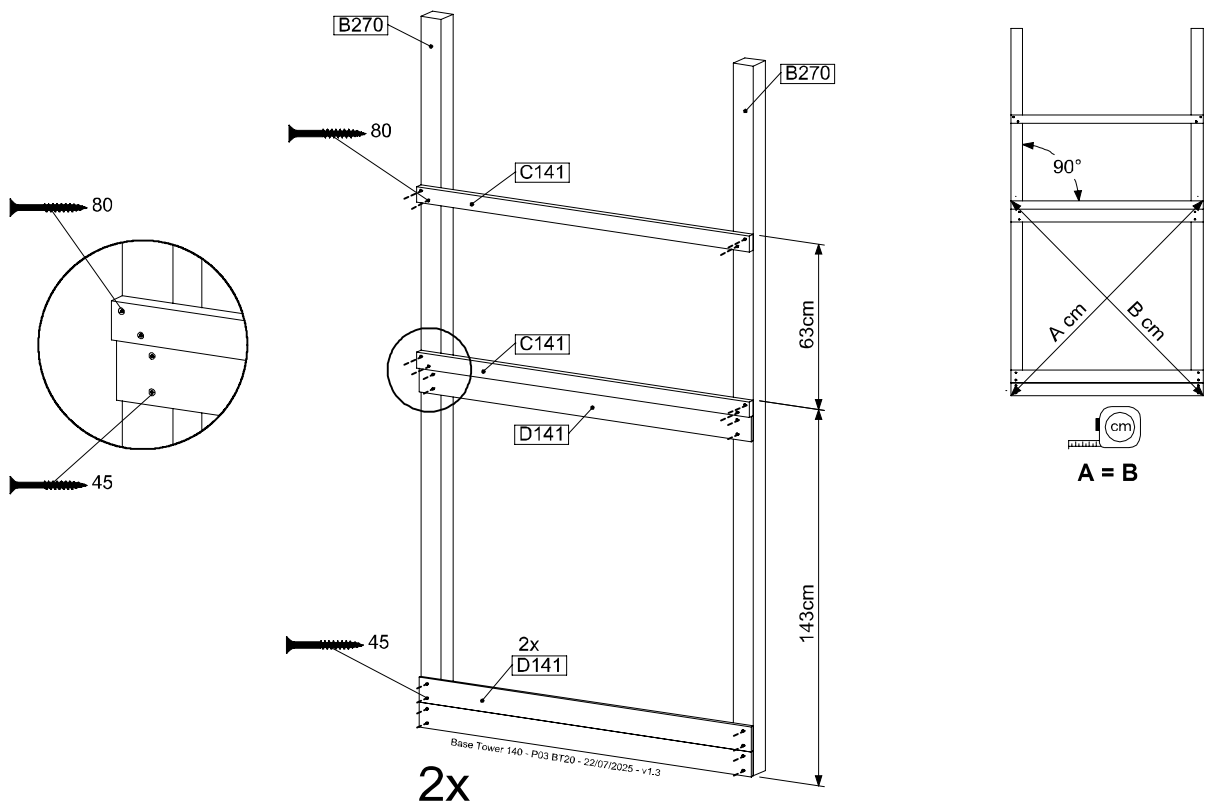
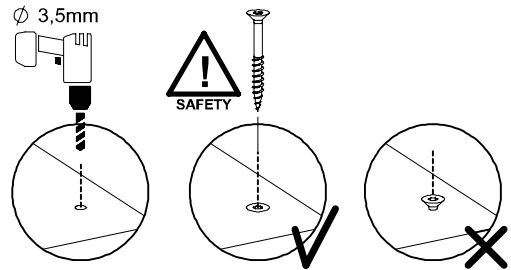
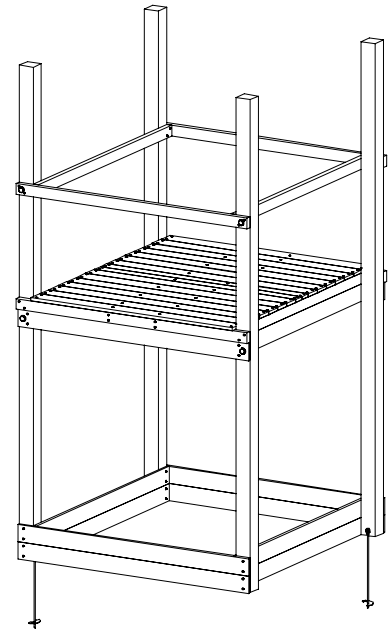
	Print ID			Positions
7	RW19a		p.31	(A7)
8	LA24a		p.34	(A2)
9	SL26a		p.37	(A6)
10	GA		p.40	(A) (A8) (B)
11	AC01a		p.42	(A)

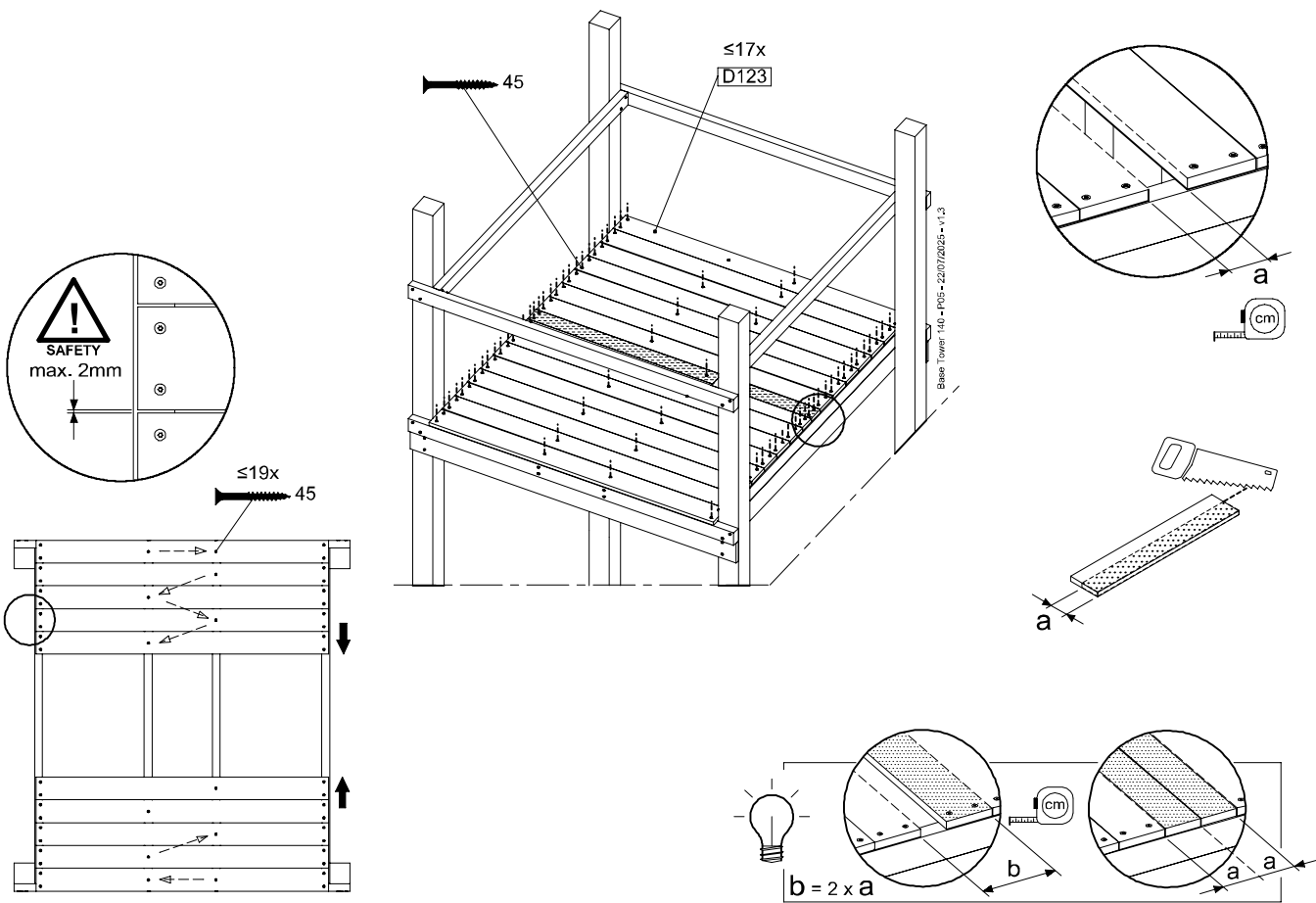
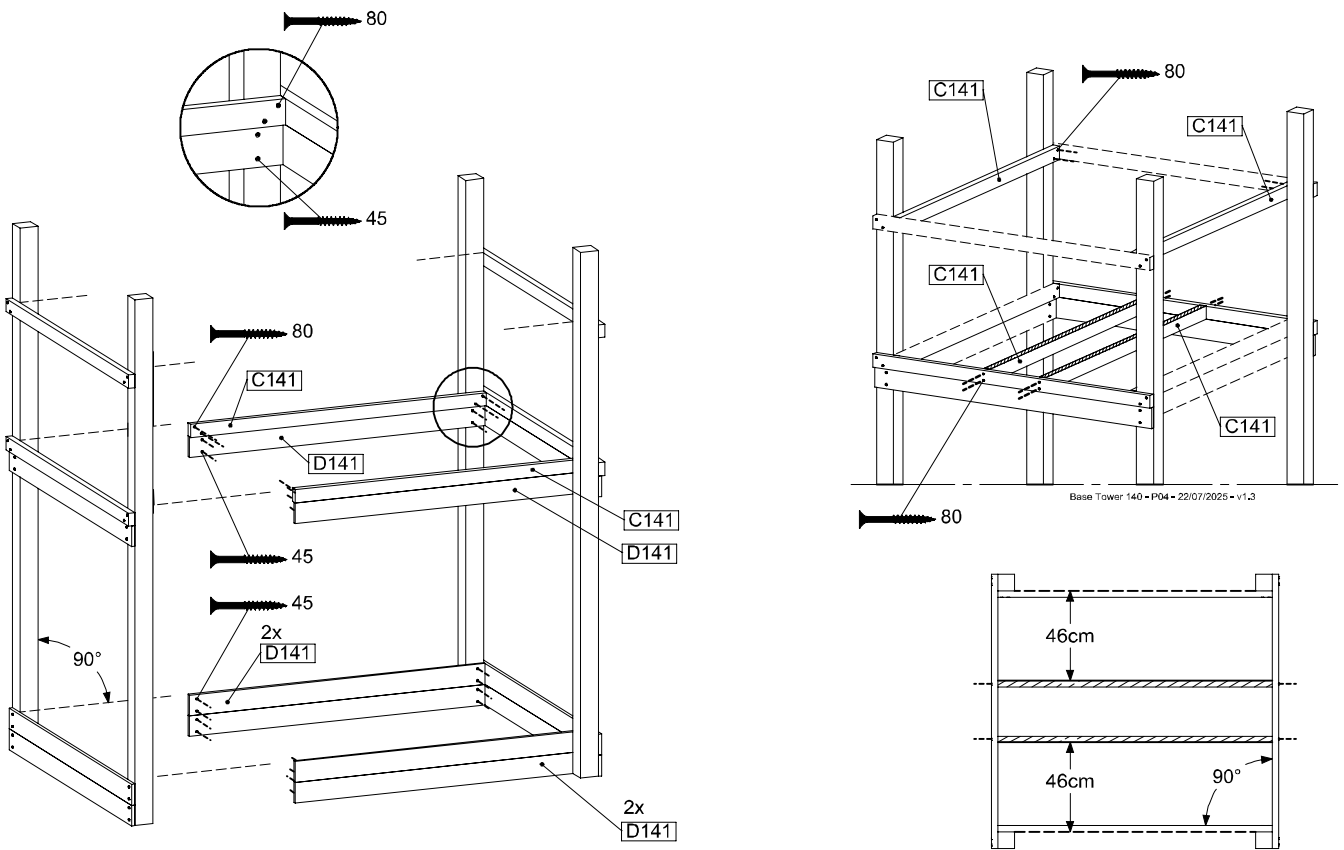
# 1 BT20a: Base Tower 140 145cm 270270

Assembly Pack: 194\_500

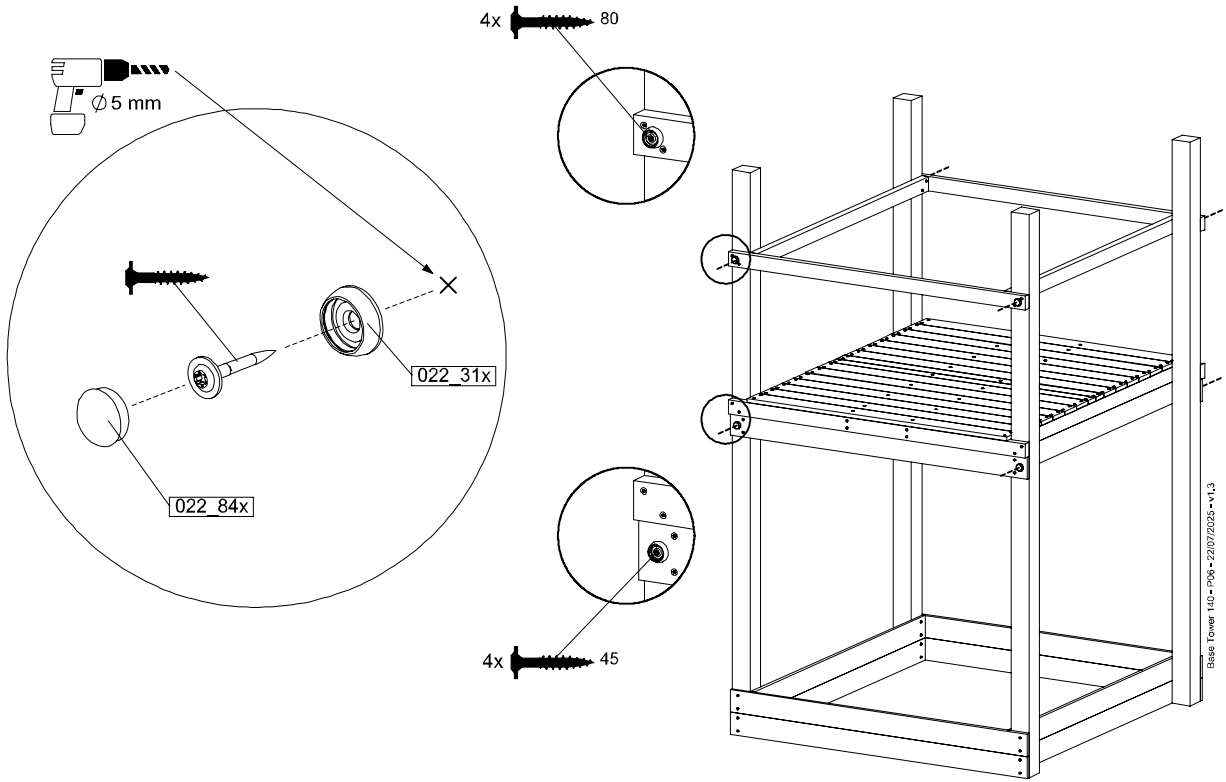
	PartNo	PartName	QTY.
Hardware + Parts	001_406	Stealth Screw 8x45	6
	001_417	Stealth Screw 8x80	4
	002_220	Gap Point Screw T25 - 5x45	135
	002_223	Gap Point Screw T25 - 5x80	40
	007_001	Ground-anchor	2
	022_31x	bpc-base version 3	8
	022_84x	bpc cover	8
Timber	B270	Post ca.90x90 L2700	4
	C141	Beam 1410 mm	10
	D123	Board 1230 mm	17
	D141	Board 1410 mm	12

Base Tower 140 - P03 BT20 - 22/07/2025 - v1.3





# 1.2

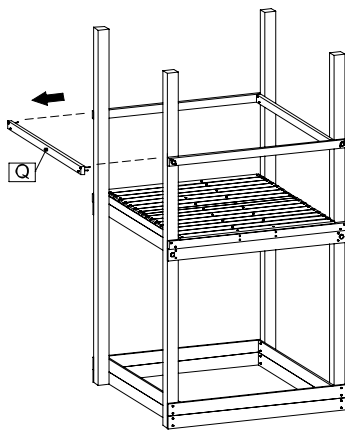
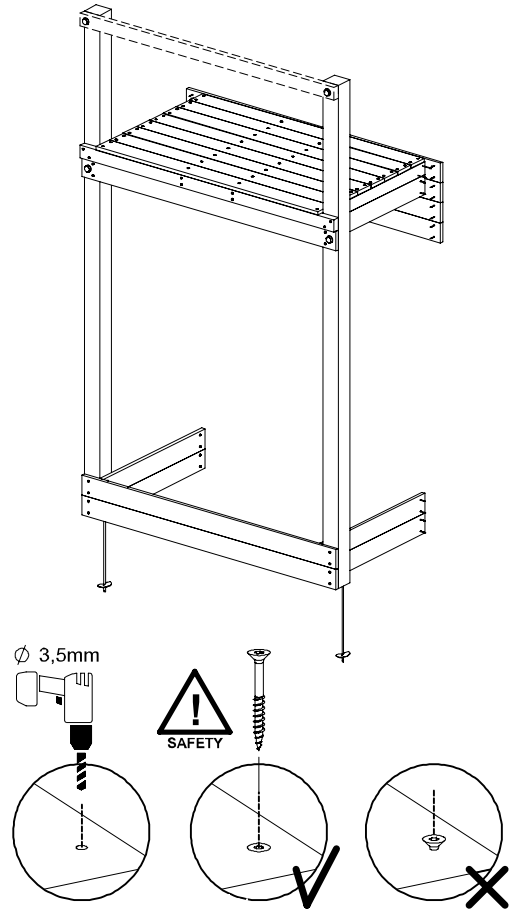


## 2 ET35a: Extension Tower 14080 240/180

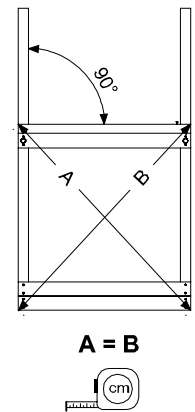
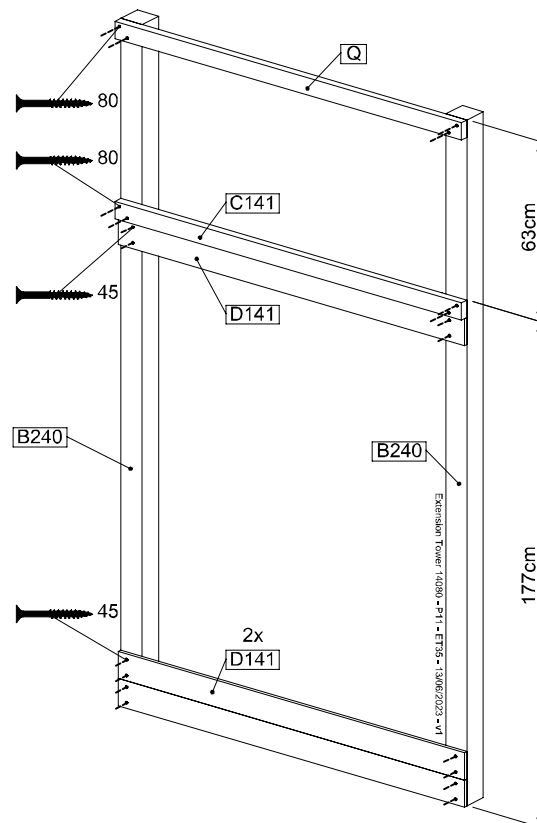
( 194\_300 )

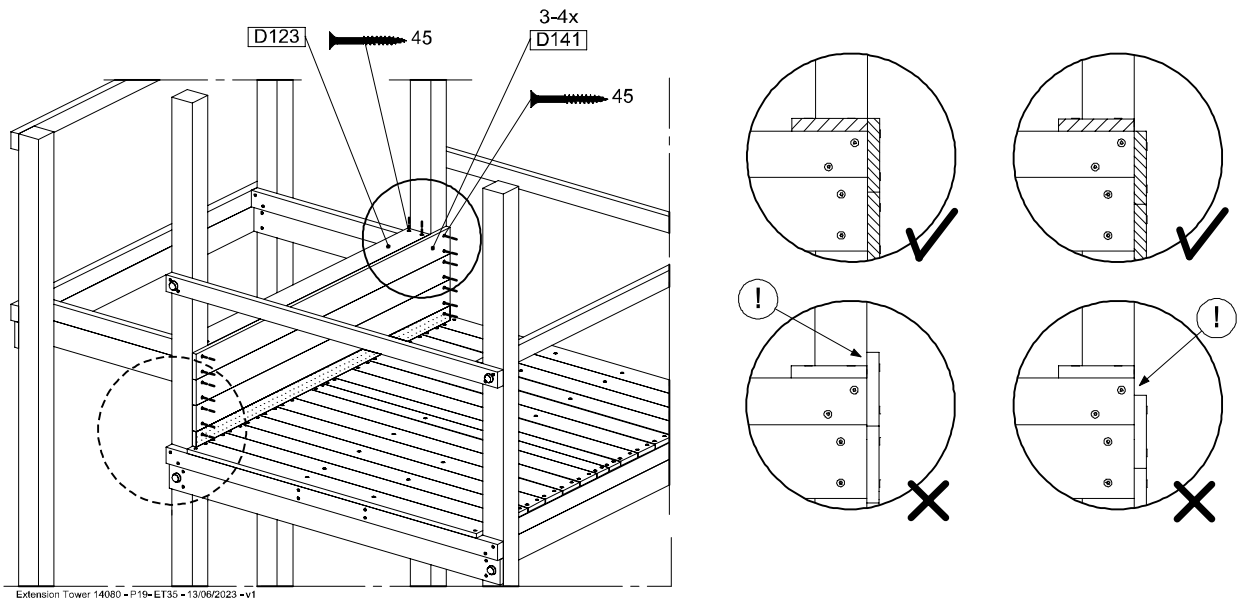
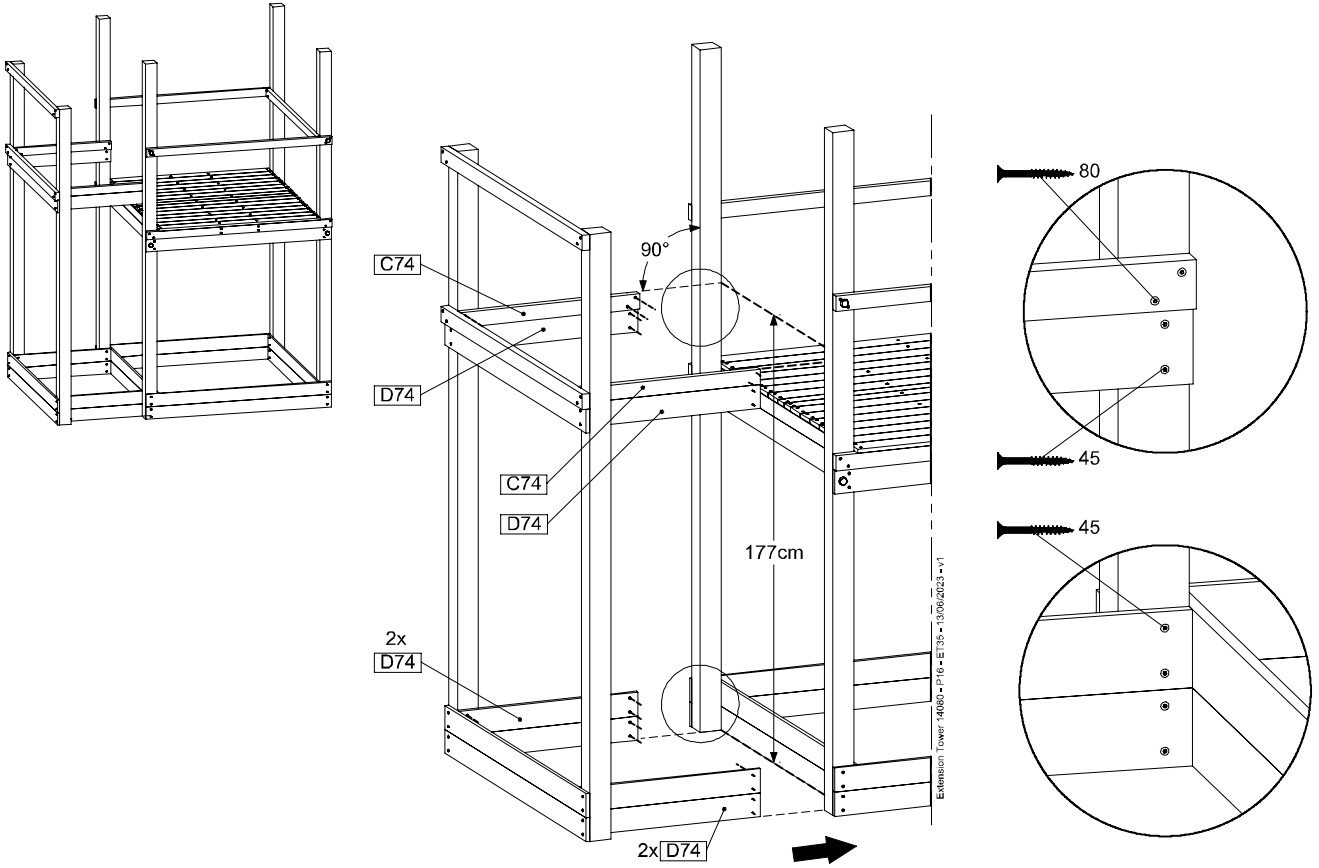
	PartNo	PartName	QTY.
Hardware pack	001_406	Stealth Screw 8x45	4
	001_417	Stealth Screw 8x80	2
	002_220	Gap Point Screw T25 - 5x45	106
	002_223	Gap Point Screw T25 - 5x80	20
Other	007_001	Ground-anchor	2
	022_31x	bpc-base version 3	4
	022_84x	bpc cover	4
Timber	B240	Post 90x90 L2400	2
	C74	Beam 740 mm	4
	C141	Beam 1410 mm	1
	D74	Board 740 mm	6
	D123	Board 1230 mm	9
	D141	Board 1410 mm	7

ET35a: Extension Tower 14080 - P11 - ET35a - 14080/240 - V1

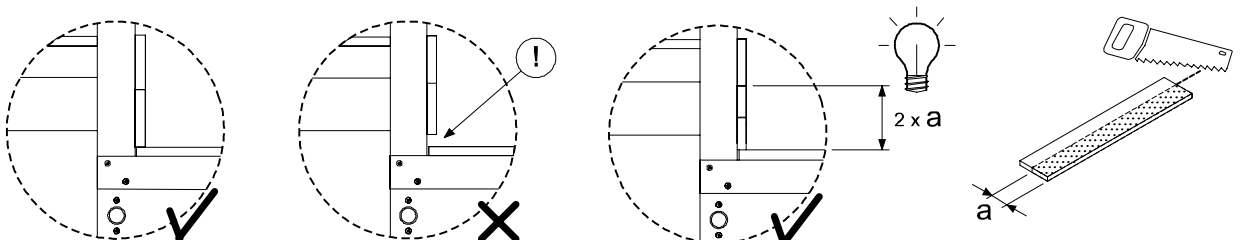


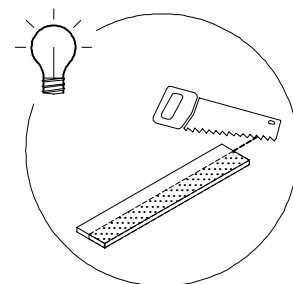
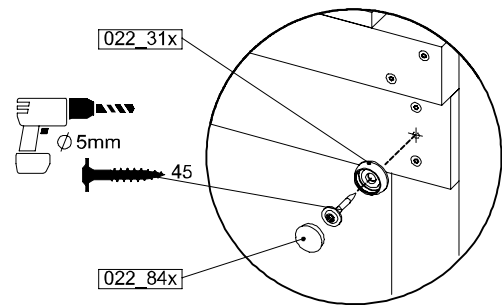
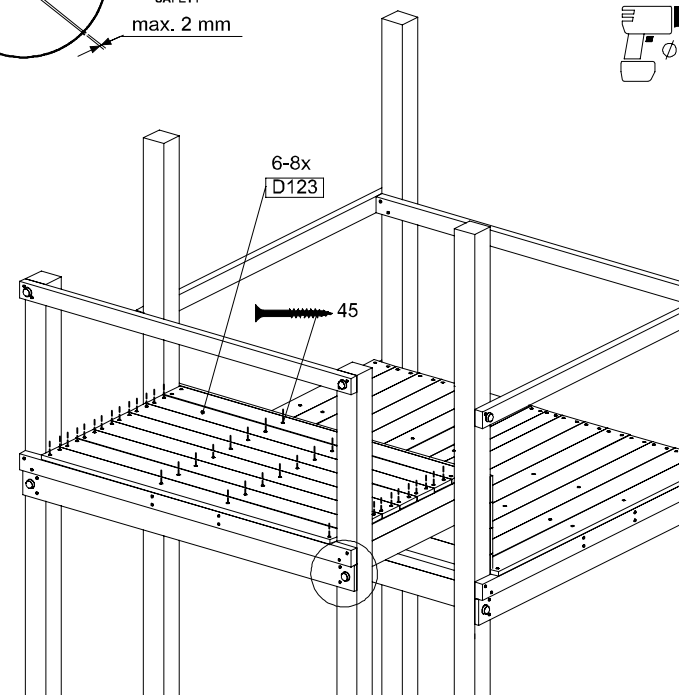
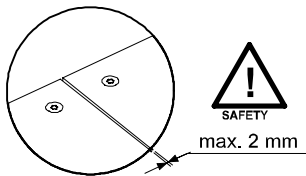
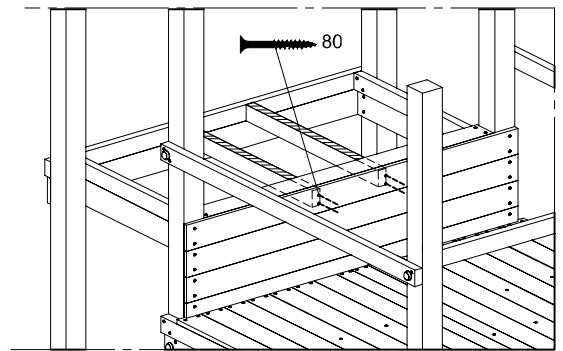
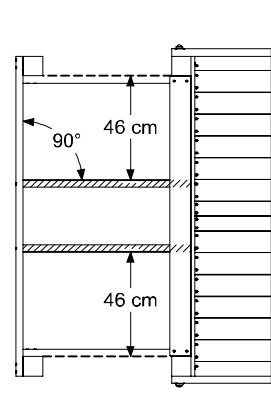
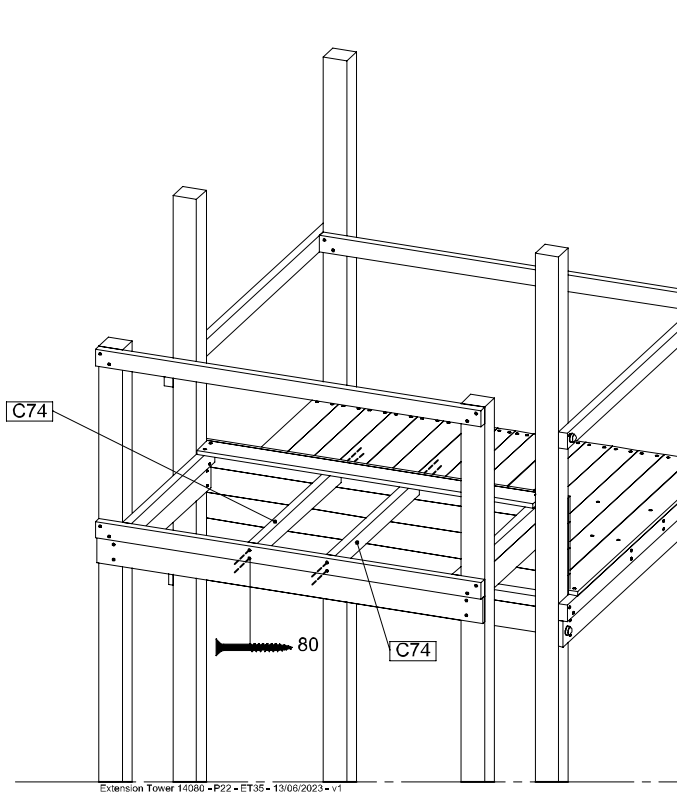
Base Tower





Extension Tower 14080 • P19 • ET135 • 13/06/2023 • v1



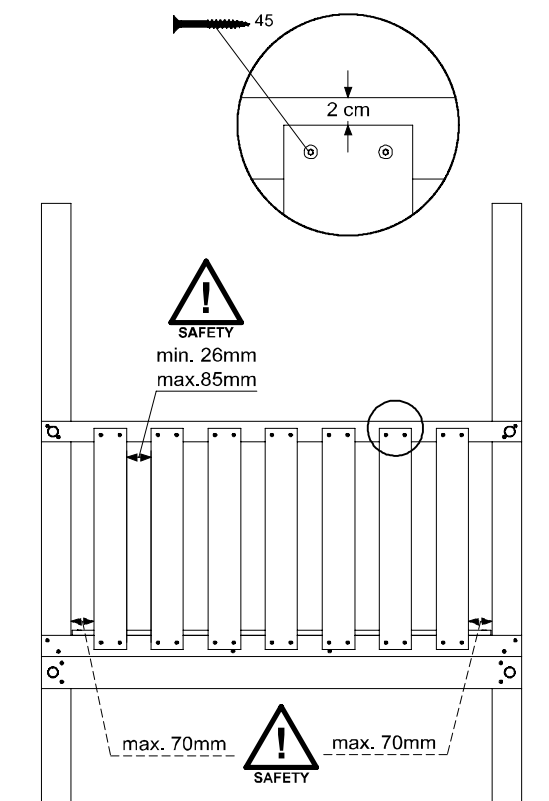
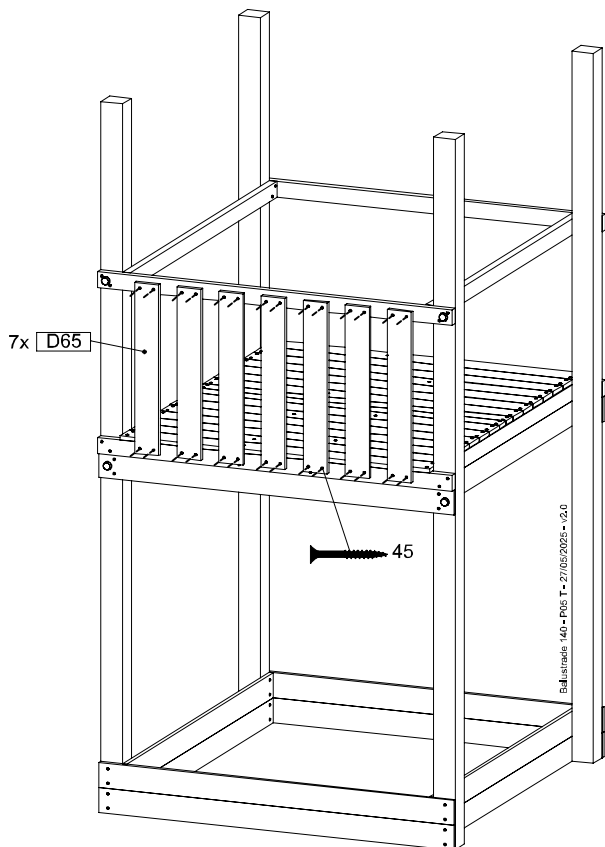
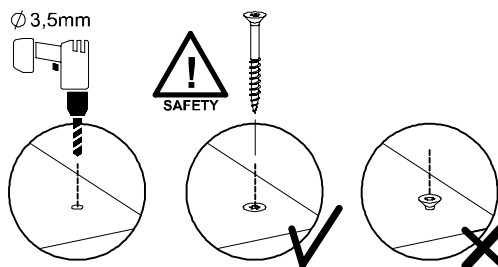
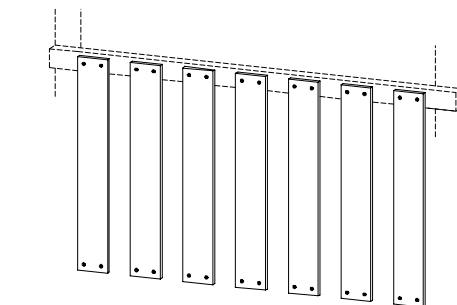


### 3 BL06a: Balustrade 140 T

Assembly Pack: 194\_501

	PartNo	PartName	QTY.
Hardware	002_220	Gap Point Screw T25 - 5x45	28
Timber	D65	Board 650 mm	7

Balustrade 140 - P03 T - 27/05/2025 - v2.0

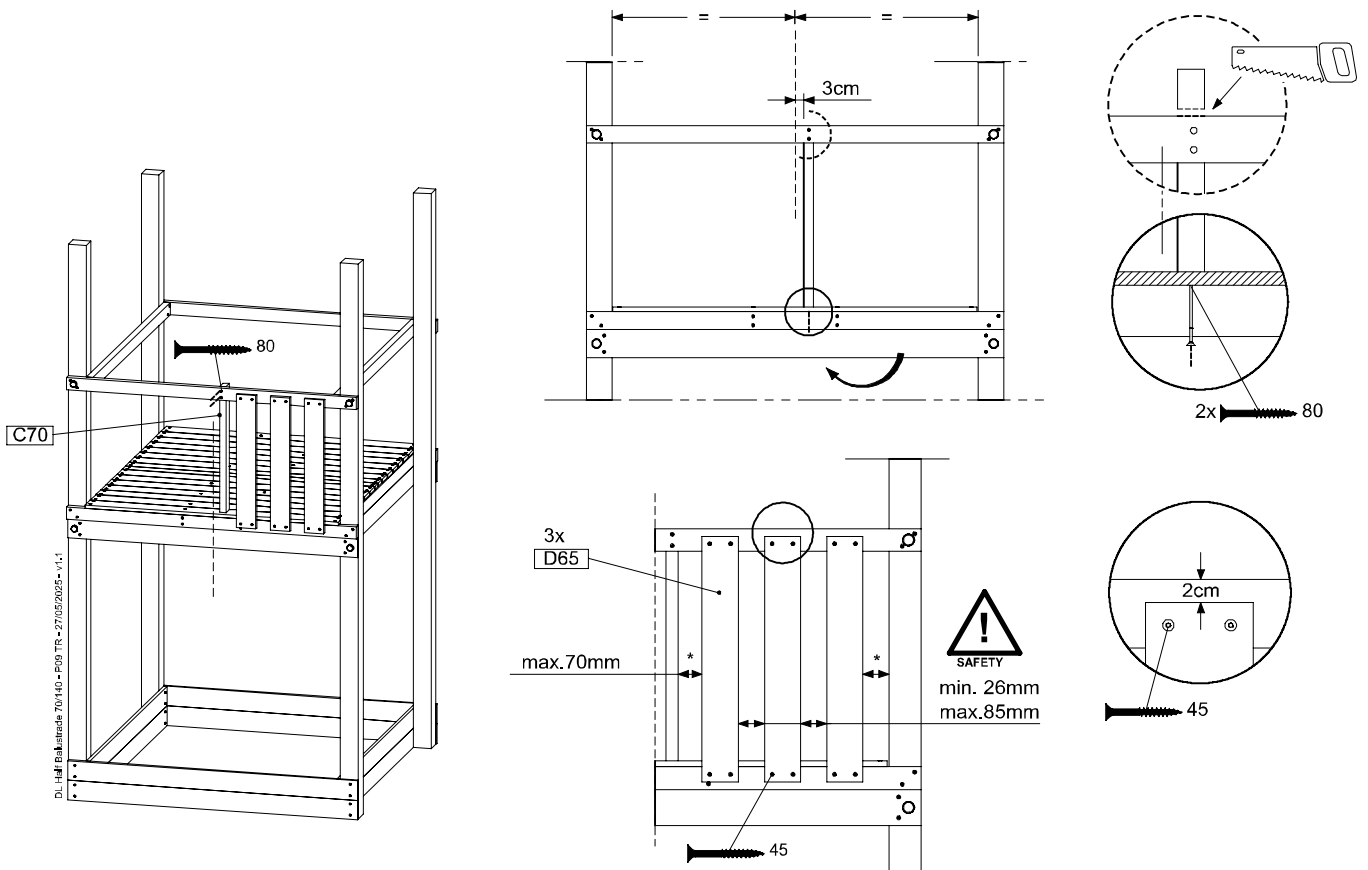
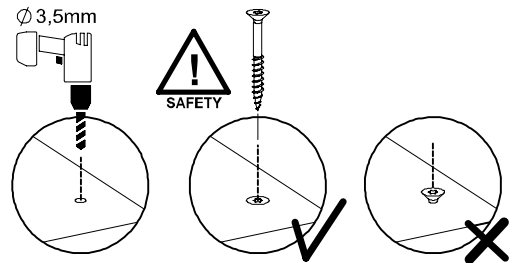
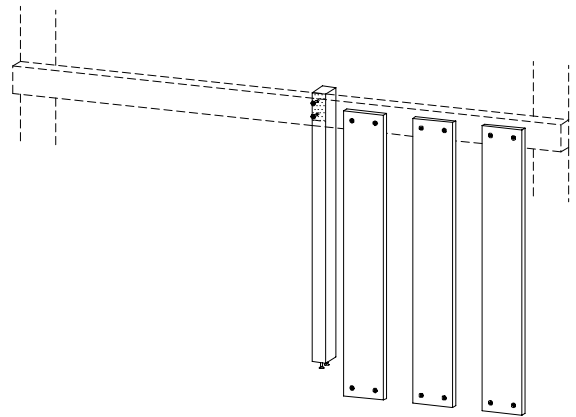


## 4 BL10a: Half Balustrade T Right

Assembly Pack: 194\_101

	PartNo	PartName	QTY.
Hardware	002_220	Gap Point Screw T25 - 5x45	12
	002_223	Gap Point Screw T25 - 5x80	4
Timber	C70	Beam 700 mm	1
	D65	Board 650 mm	3

Dl. Half Balustrade 70/140 - P05 TR - 27/05/2025 - v1.1

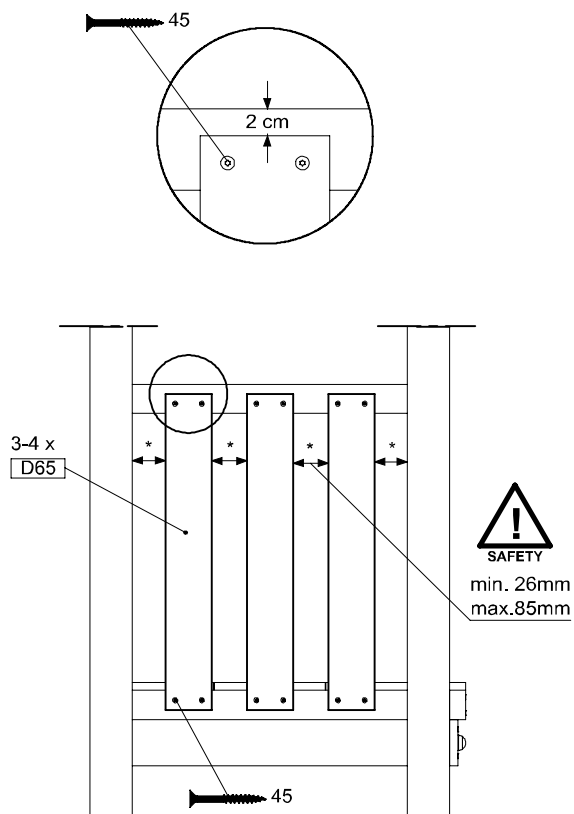
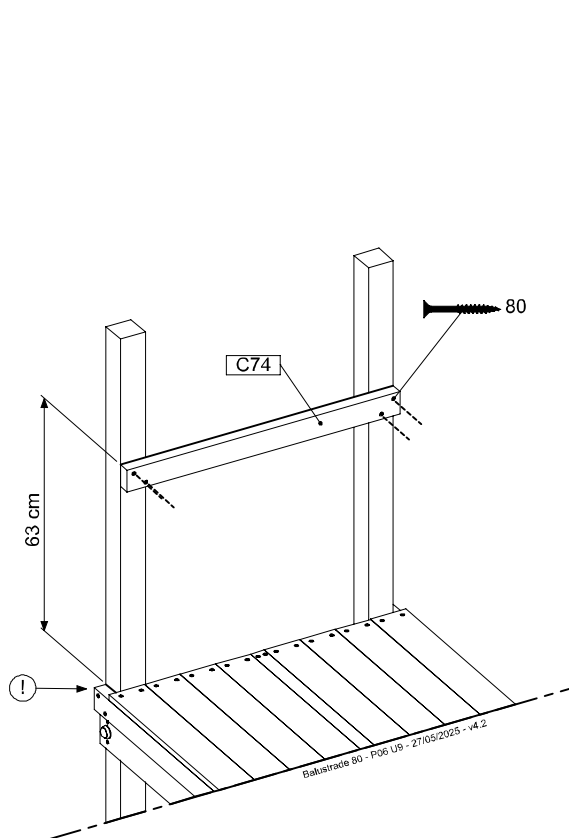
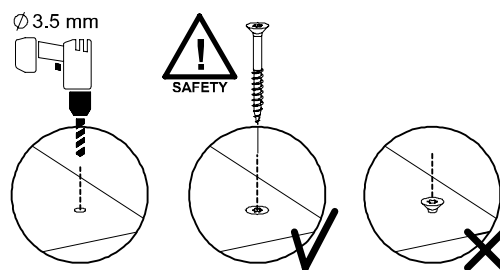
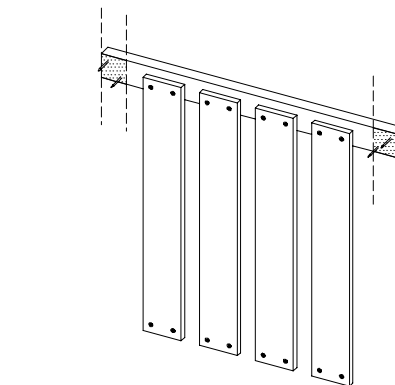


Manual ID: 040\_005\_2417

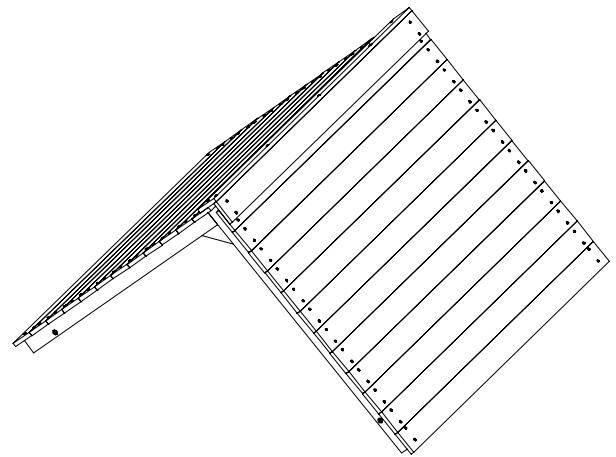
## 5 BL21a: Balustrade 80 U - 9x9 posts

Assembly Pack: 194\_101

	PartNo	PartName	QTY.
Hardware + Parts	002_220	Gap Point Screw T25 - 5x45	16
	002_223	Gap Point Screw T25 - 5x80	4
Timber	C74	Beam 740 mm	1
	D65	Board 650 mm	4

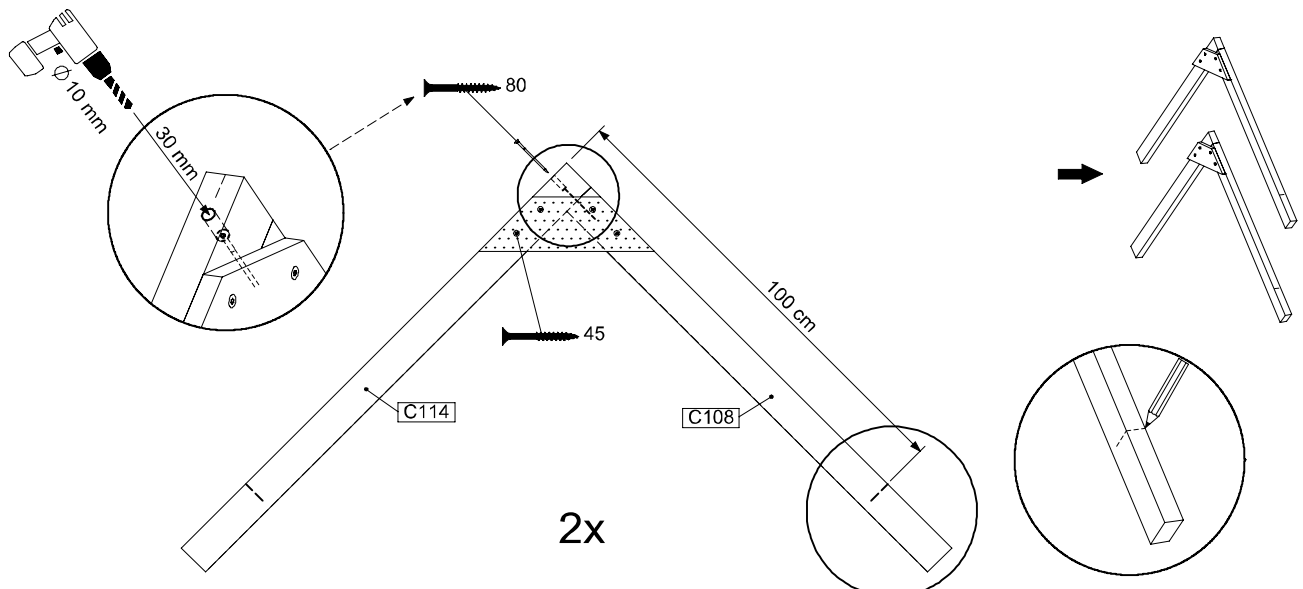
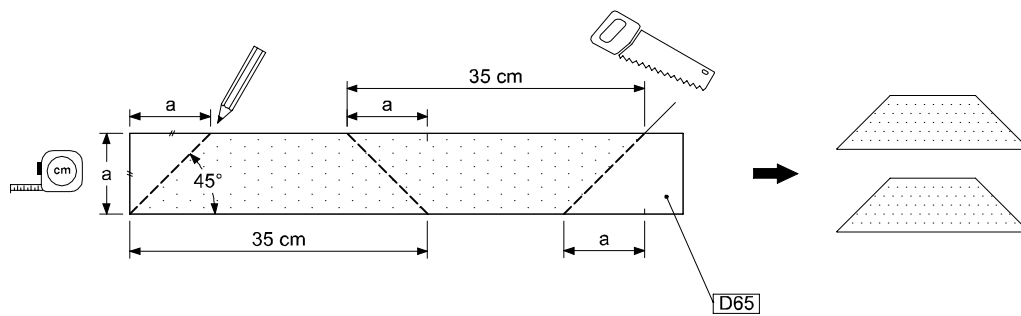
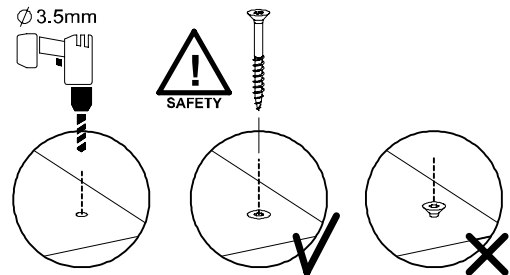


## 6 RF14b: Roof Timber Gable 140 - 2.0

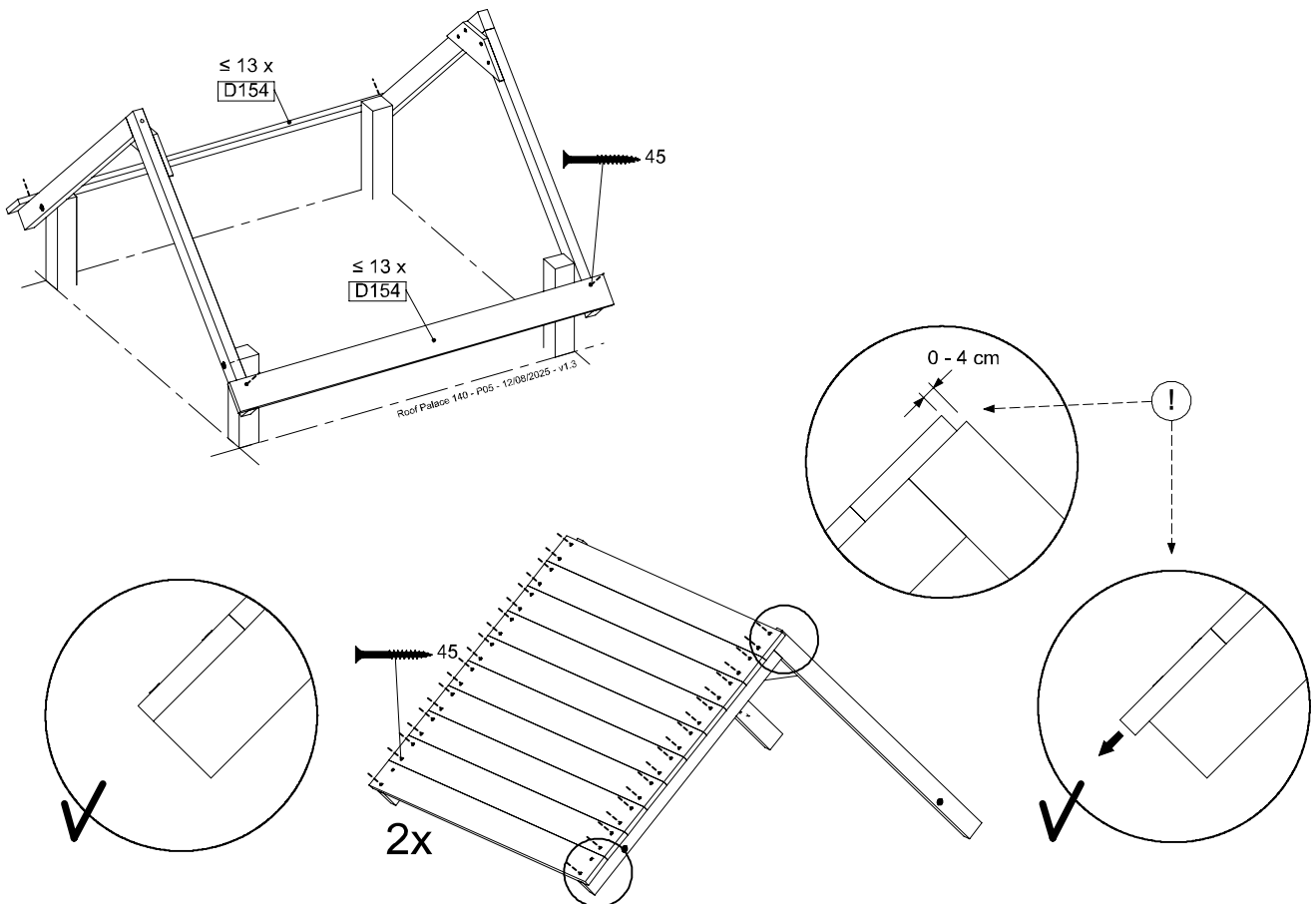
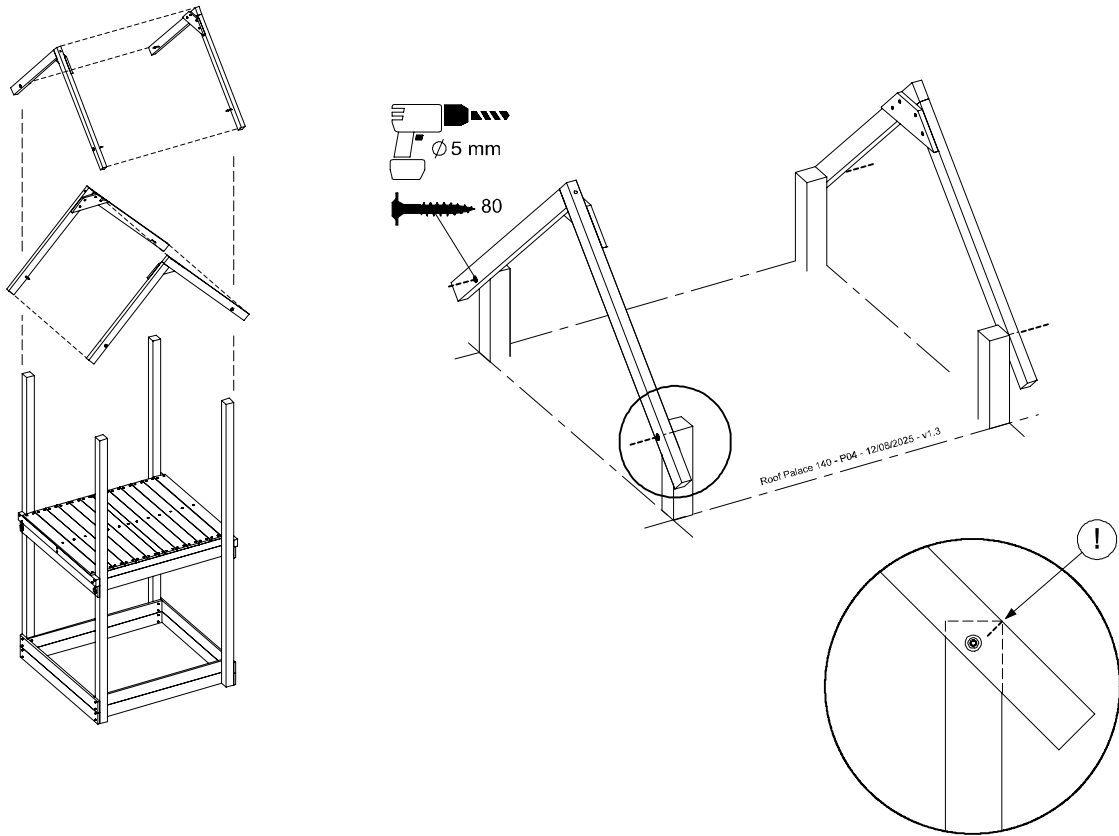


Assembly Pack: 194\_508 (RF14a) / 194\_804 (RF14b)

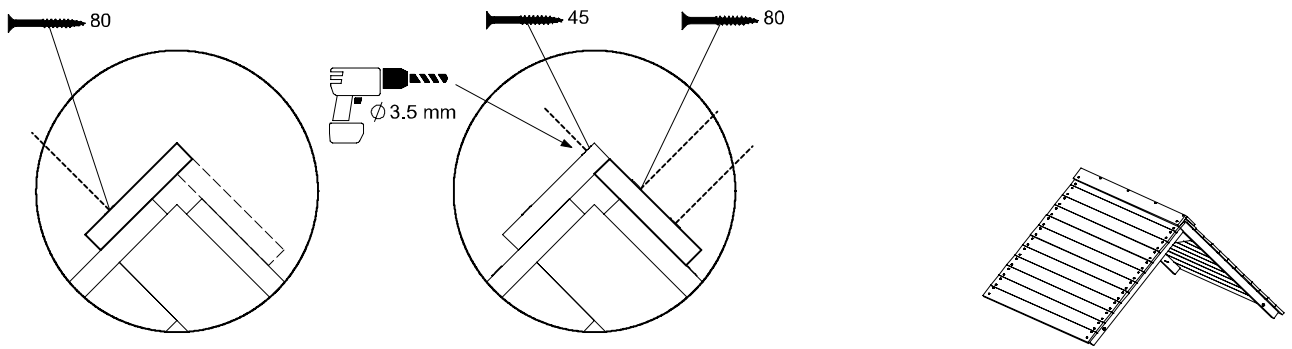
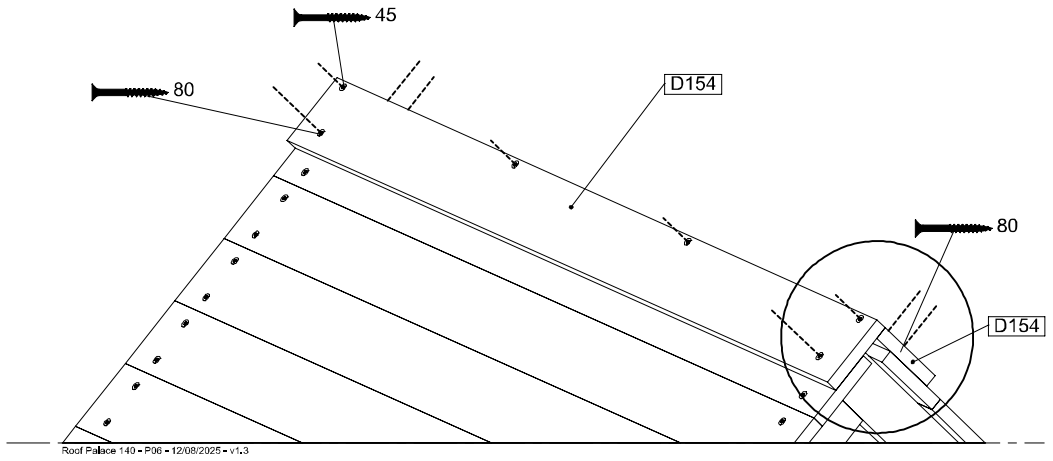
	PartNo	PartName	QTY.
Hardware + Parts	001_417	Stealth Screw 8x80	4
	002_220	Gap Point Screw T25 - 5x45	120
	002_223	Gap Point Screw T25 - 5x80	4
Timber	C108	Beam 1080 mm	2
	C114	Beam 1140 mm	2
	D65	Board 650 mm	1
	D154	Board 1540 mm	28



6.1



6.2

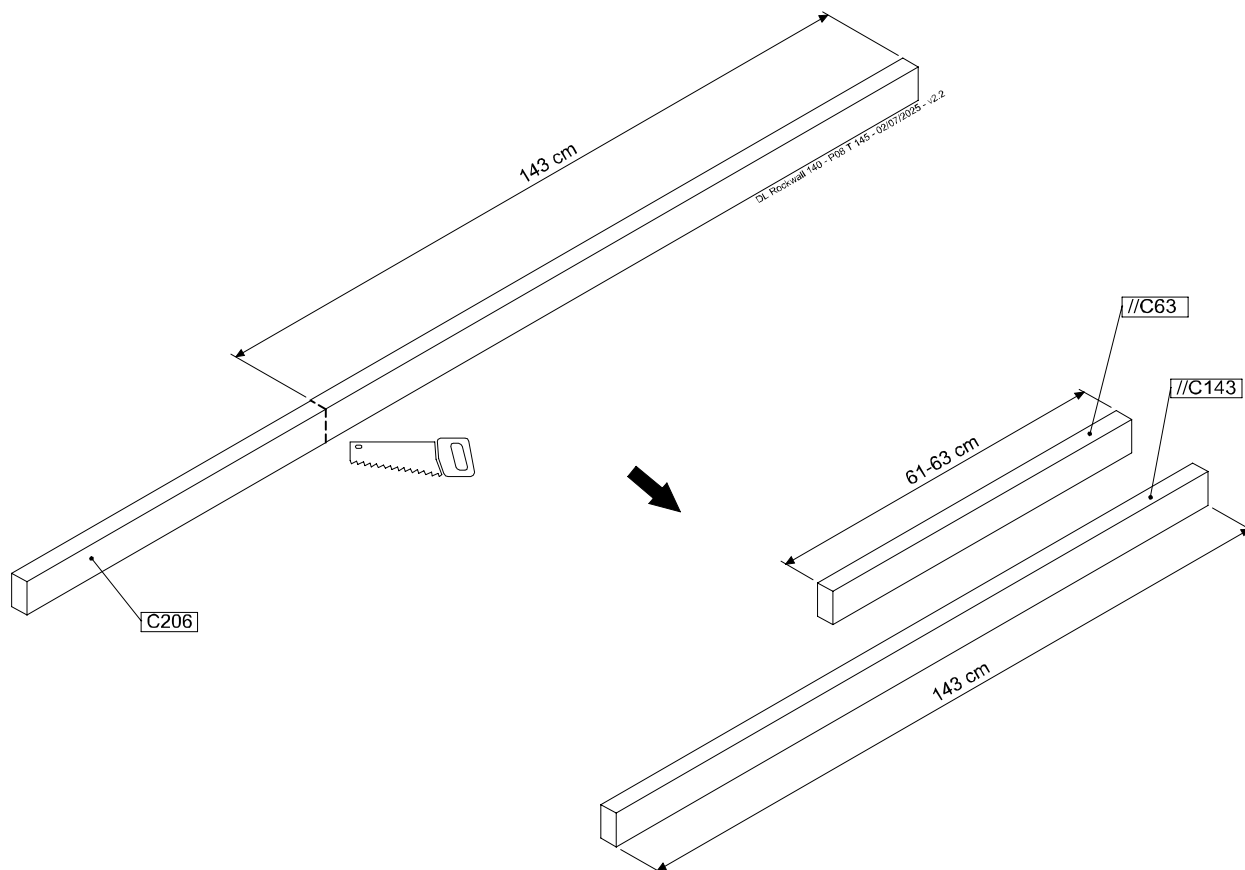
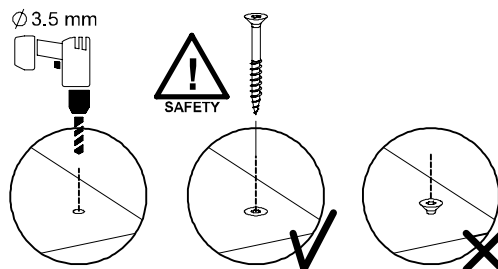
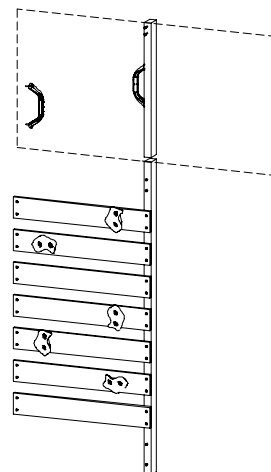


# 7 RW19a: Rock wall 140 145 T Left

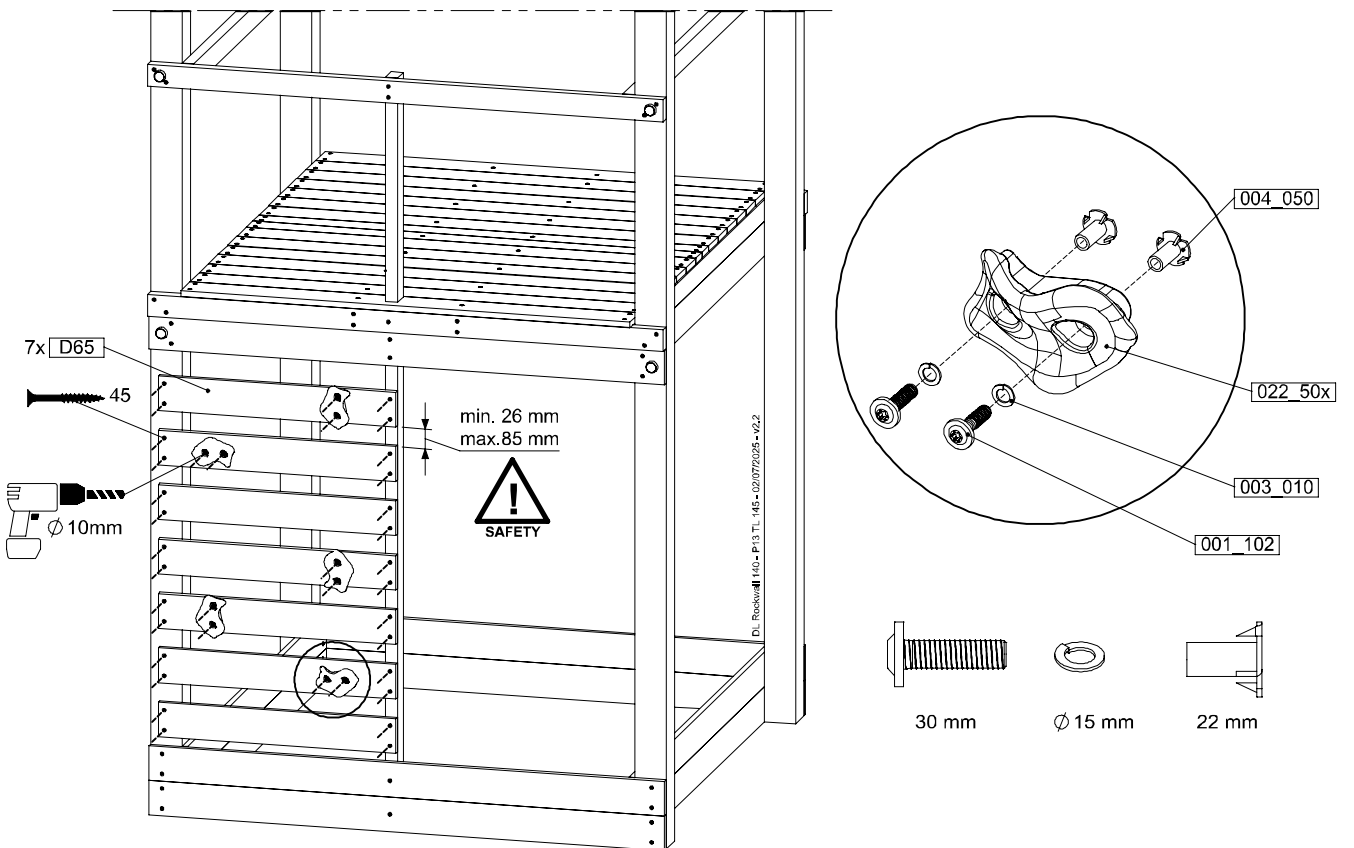
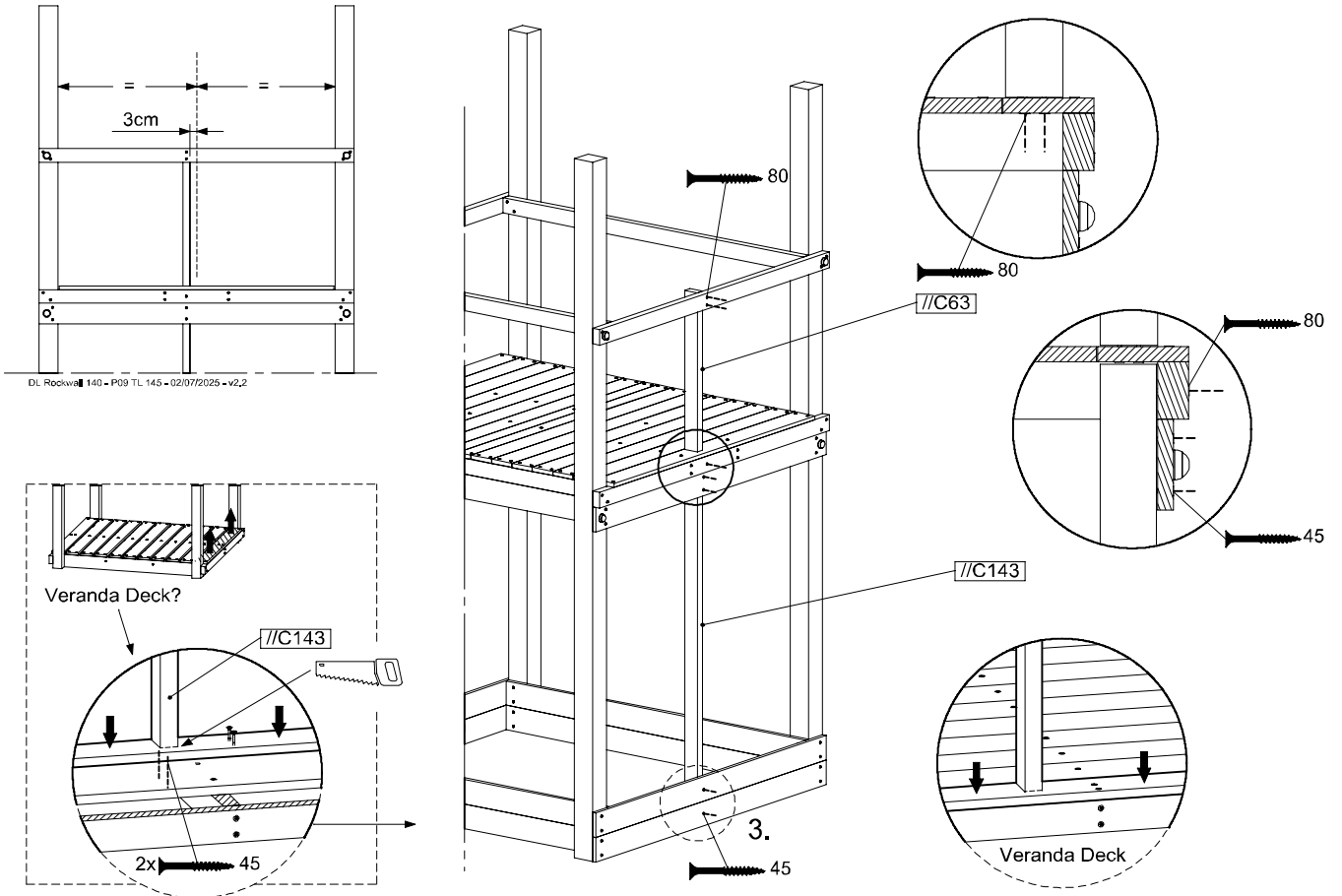
Assembly Pack: 194\_006

	PartNo	PartName	QTY.
Hardware pack	001_102	Washer Head Screw T40 M8x30	10
	002_220	Gap Point Screw T25 - 5x45	32
	002_223	Gap Point Screw T25 - 5x80	5
	003_010	M8 spring lock washer	10
	004_050	M8 Drive-in Nut 22mm	10
Other	022_50x	Climbing Rock	5
	120_102	Handgrip set (complete 2x)	1
Timber	C206	Beam 2060 mm	1
	D65	Board 650 mm	7

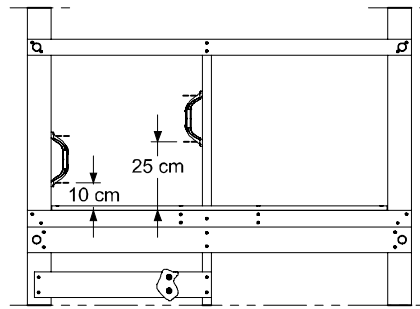
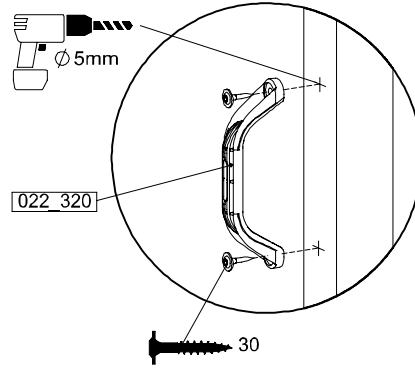
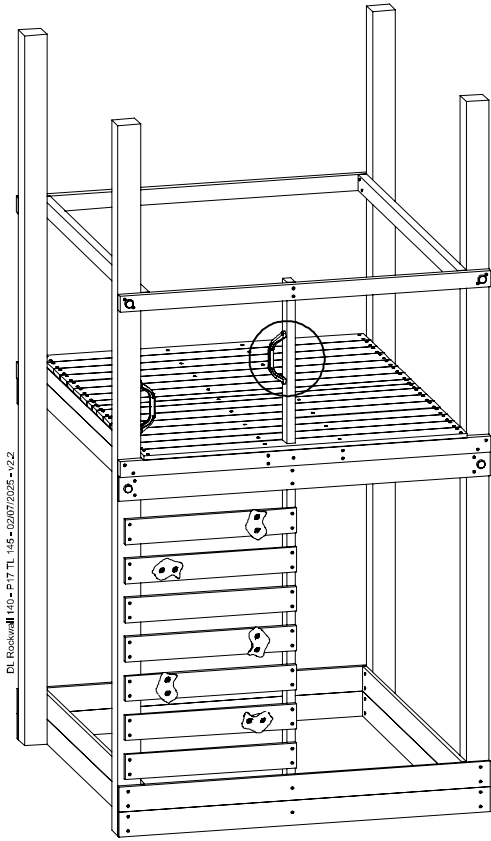
DL Rockwall 140 - P04 TL 145 - 02/07/2025 - v2.2



# 7.1



## 7.2

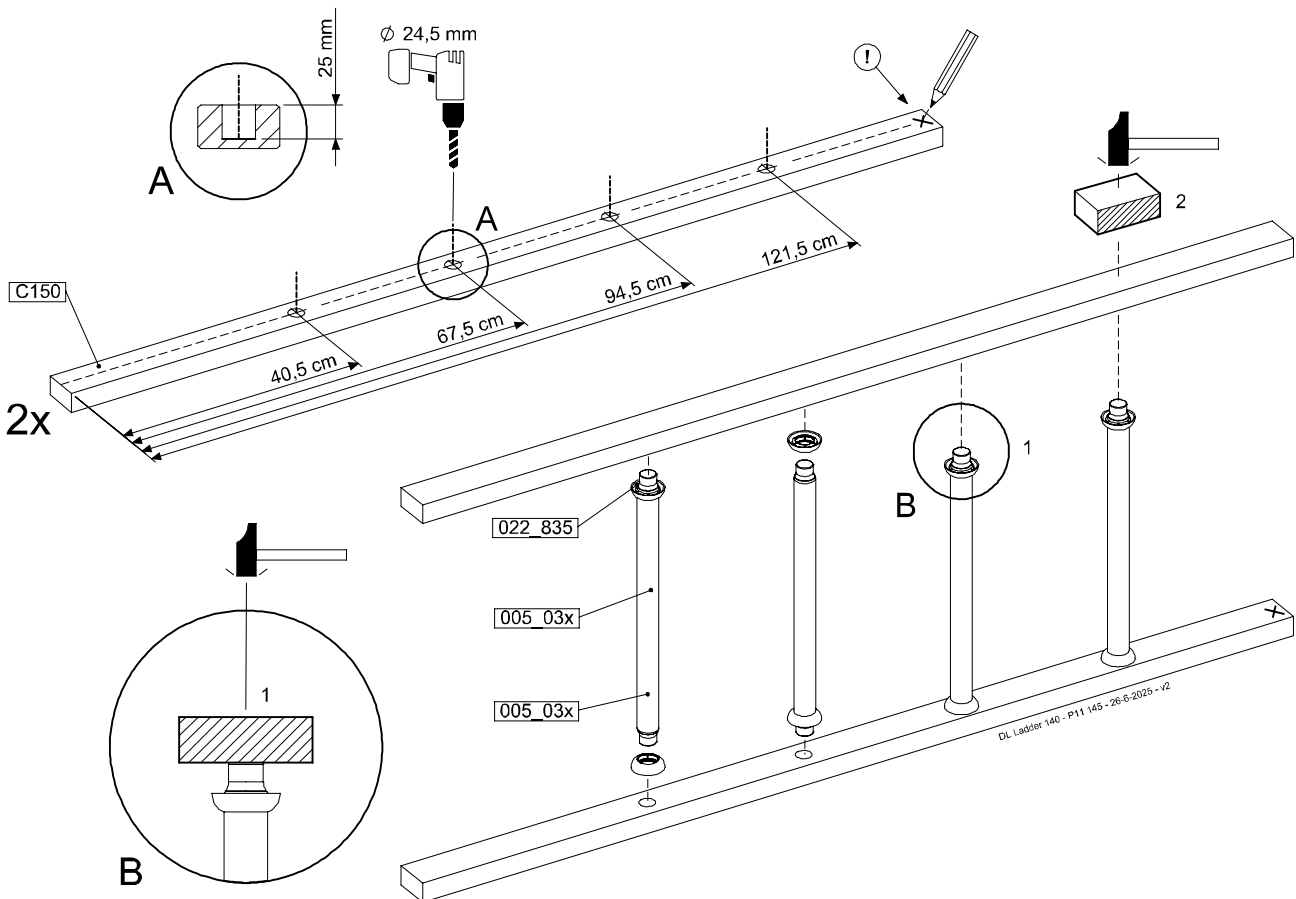
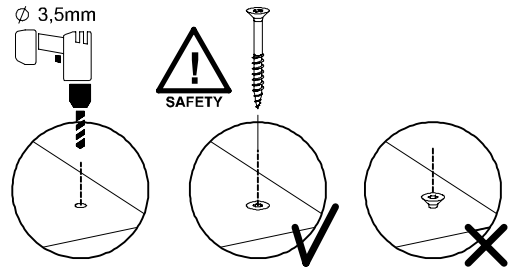
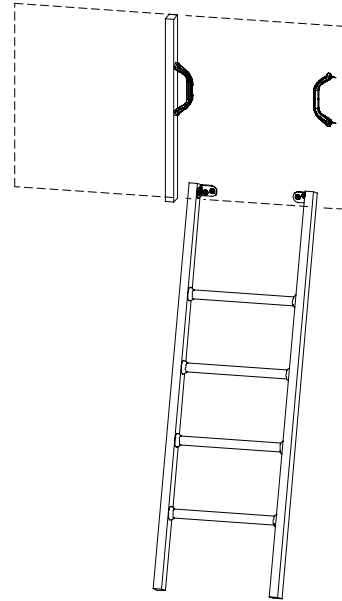


# 8 LA24a: Ladder 140 145 U Right

Assembly Pack: 194\_004 (LA24a) /194\_104 (LA24b)

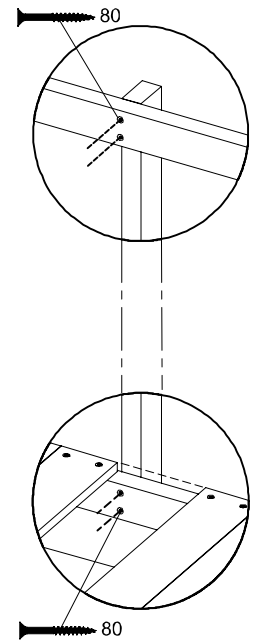
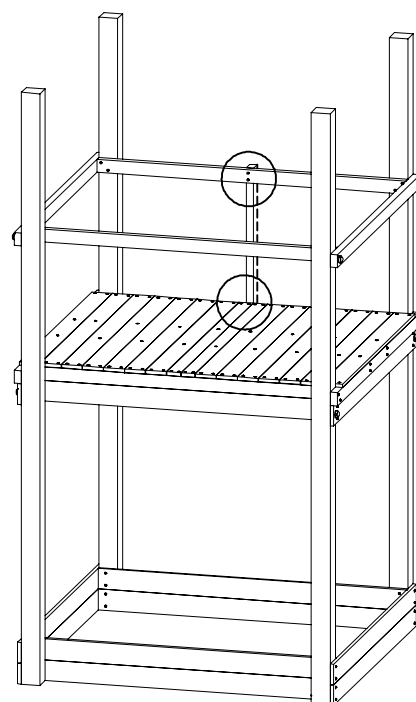
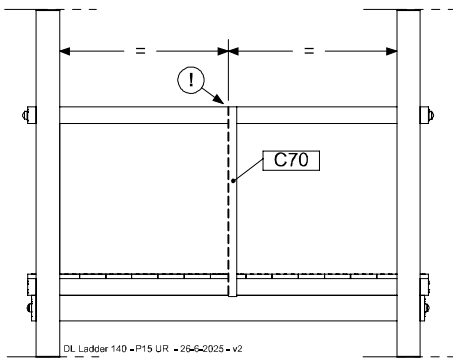
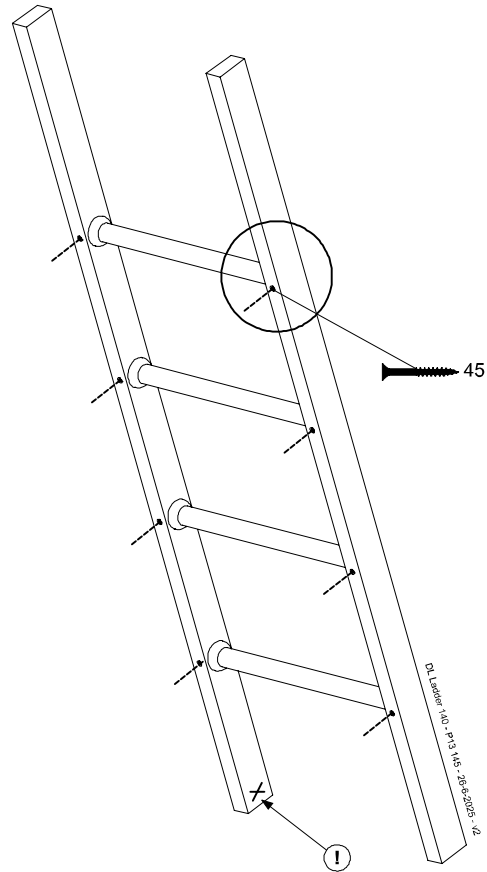
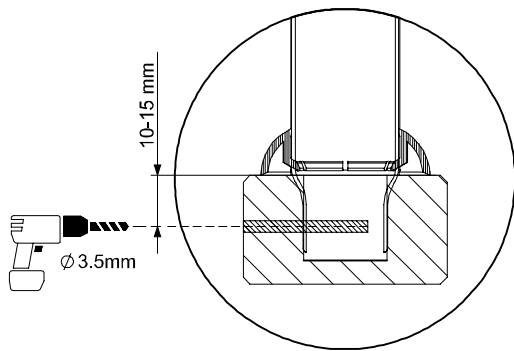
	PartNo	PartName	QTY.
Hardware + Parts	001_404	Stealth Screw 8x30	4
	002_219	Gap Point Screw T25 - 5x30	4
	002_220	Gap Point Screw T25 - 5x45	8
	002_223	Gap Point Screw T25 - 5x80	4
	005_03x	Ladder Rung Y/B/G/R	4
	005_522* /	Connection Bracket Mini Market /	2
	005_530**	Connection Bracket Ladder + 2x 023_031 Finishing Washer GPS 5.0	
	022_835	Rung Cap	8
120_102	Handgrip set (complete 2x)	1	
Timber	C70	Beam 700 mm	1
	C150	Beam 1500 mm	2

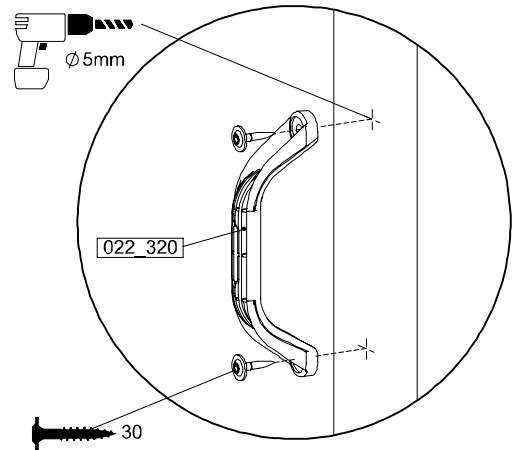
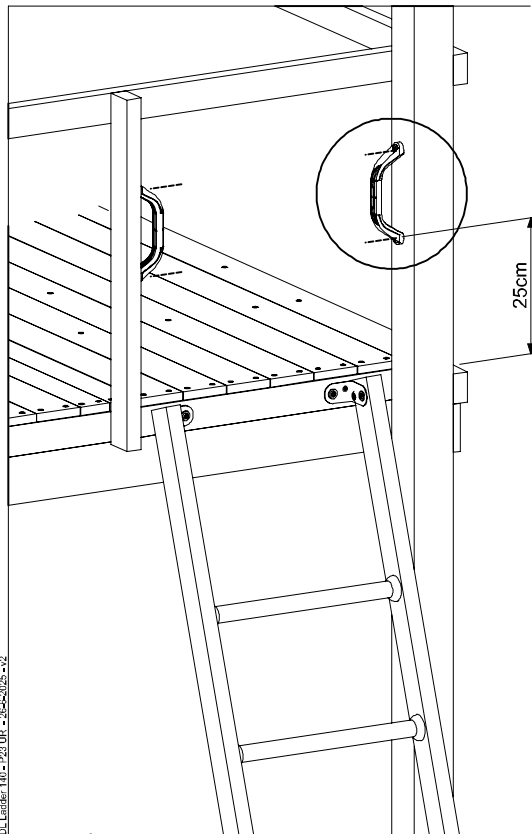
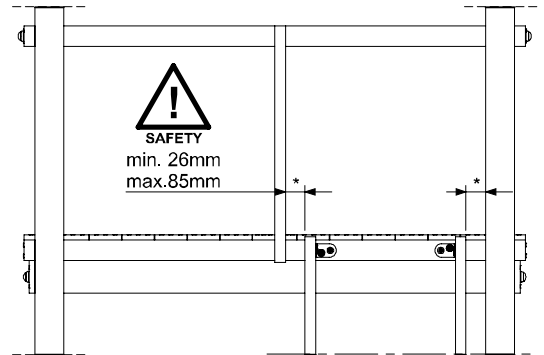
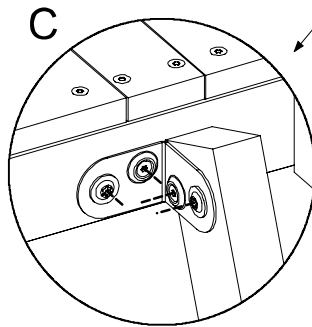
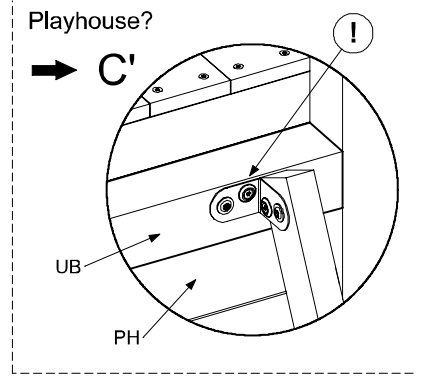
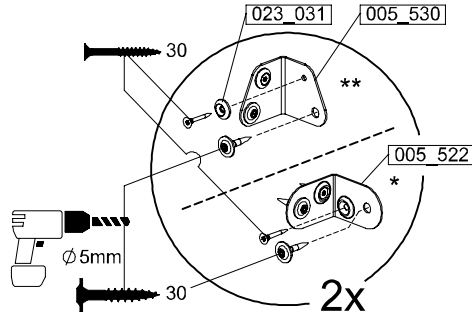
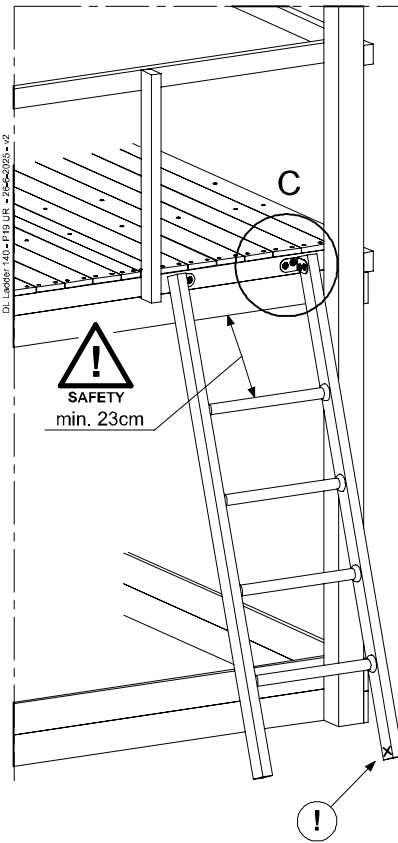
DL Ladder 140 - P107 UR 145 - 26-6-2025 - v2



Manual ID: 040\_005\_2417

8.1



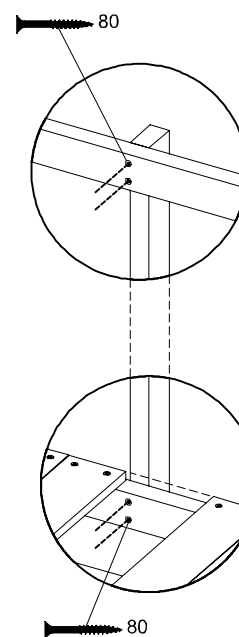
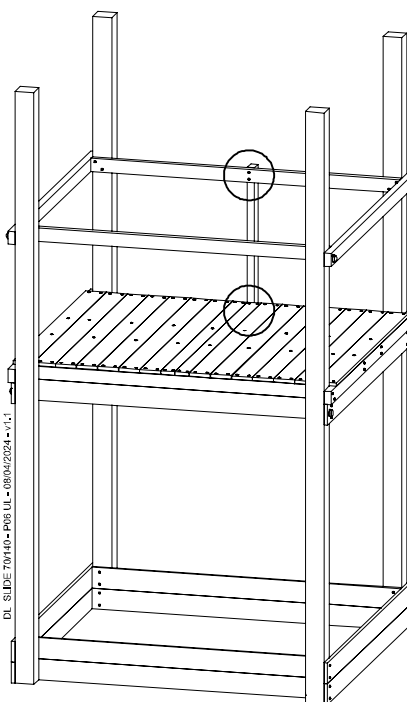
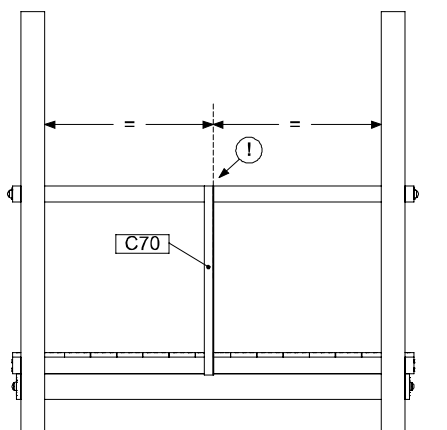
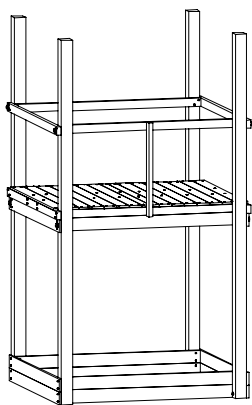
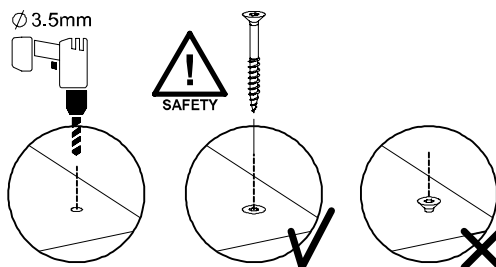
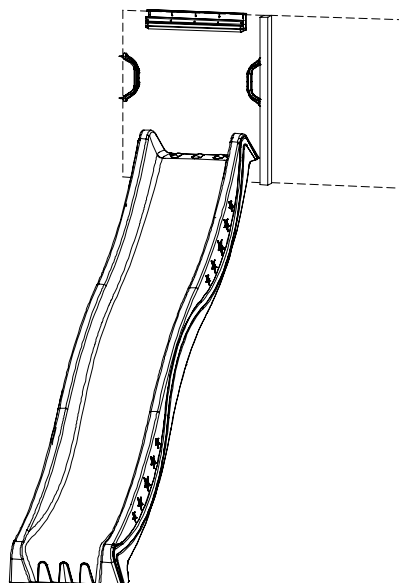


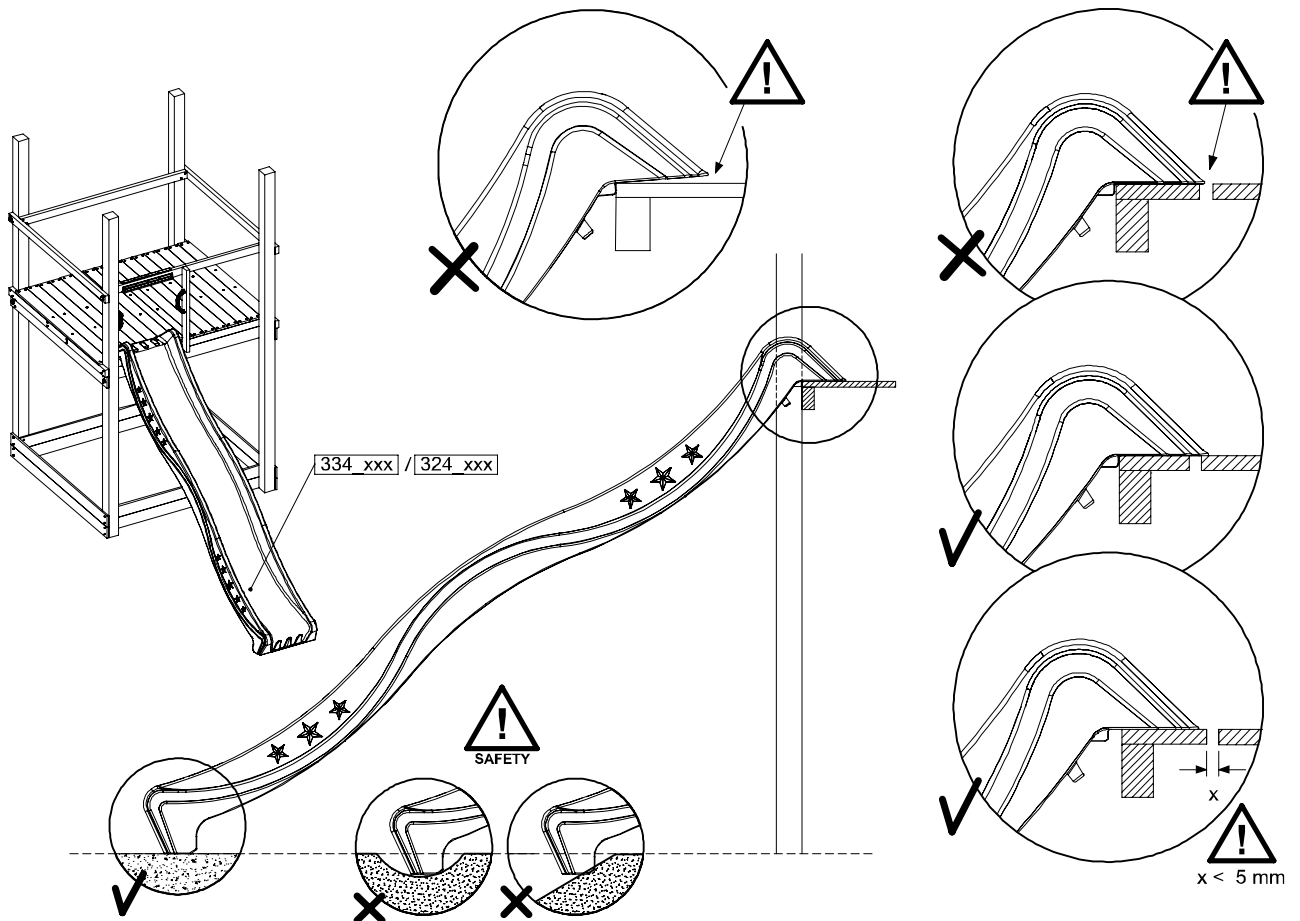
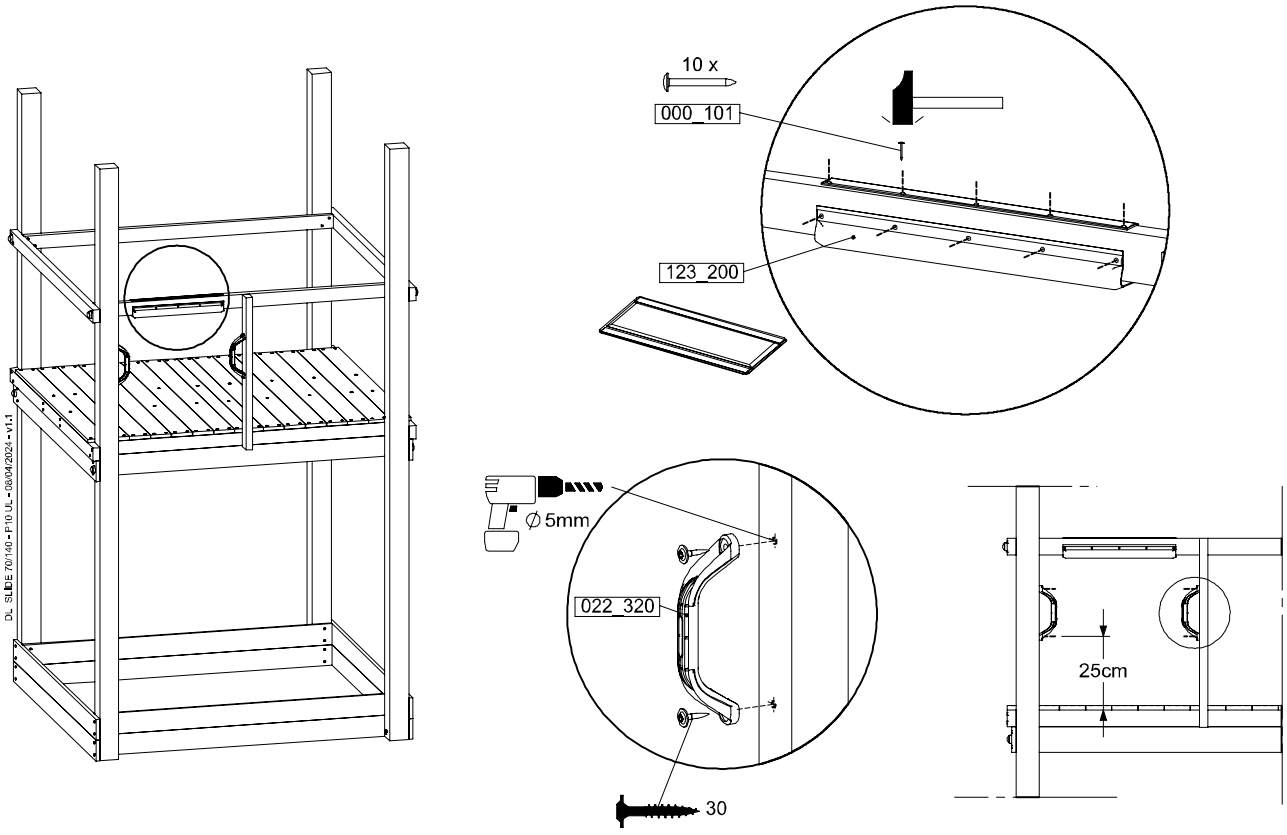
## 9 SL26a: Slide 140 145 U Left

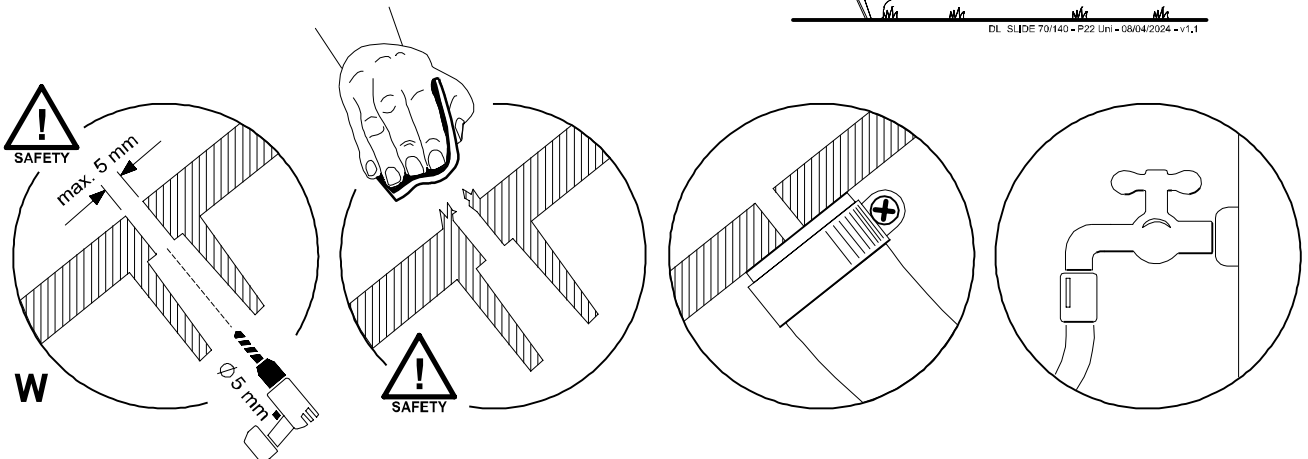
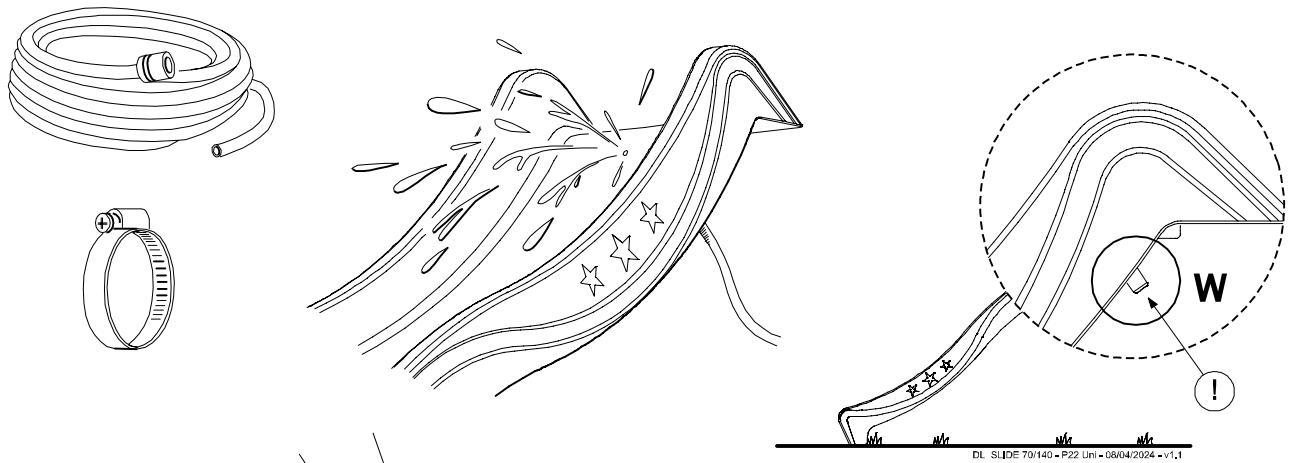
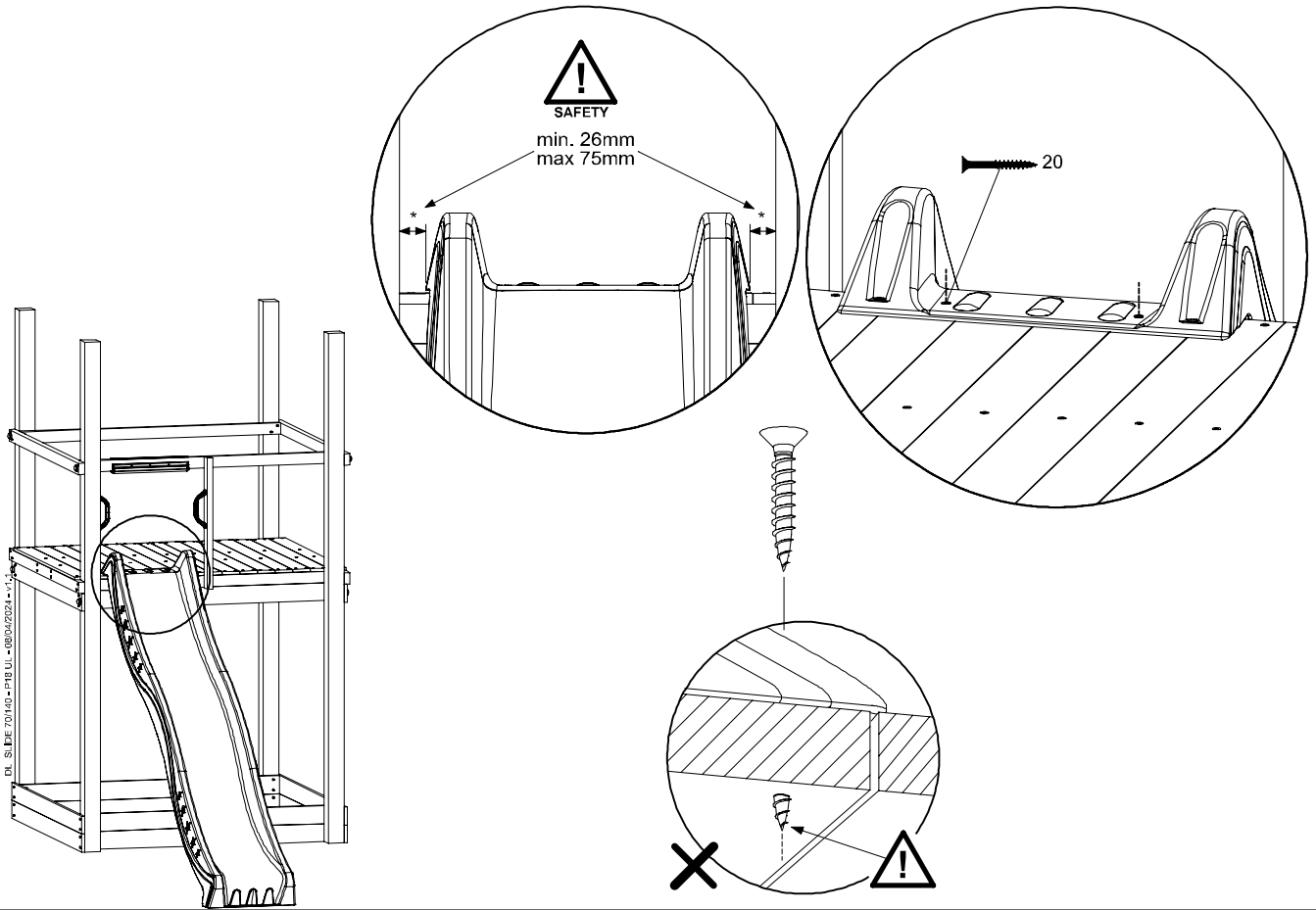
Assembly Pack: 194\_107

	PartNo	PartName	QTY.
Hardware pack	000_101	Nail Pan Head	10
	002_223	Gap Point Screw T25 - 5x80	4
	002_308	Gap Point Screw T25 - 5x20	2
Other	120_102	Handgrip set (complete 2x)	1
	123_200	Bumperpad	1
	334_xxx / 324_xxx	Wavy Star Slide XXL 2650 mm / Wavy Star Slide XL 2200 mm	1
Timber	C70	Beam 700 mm	1

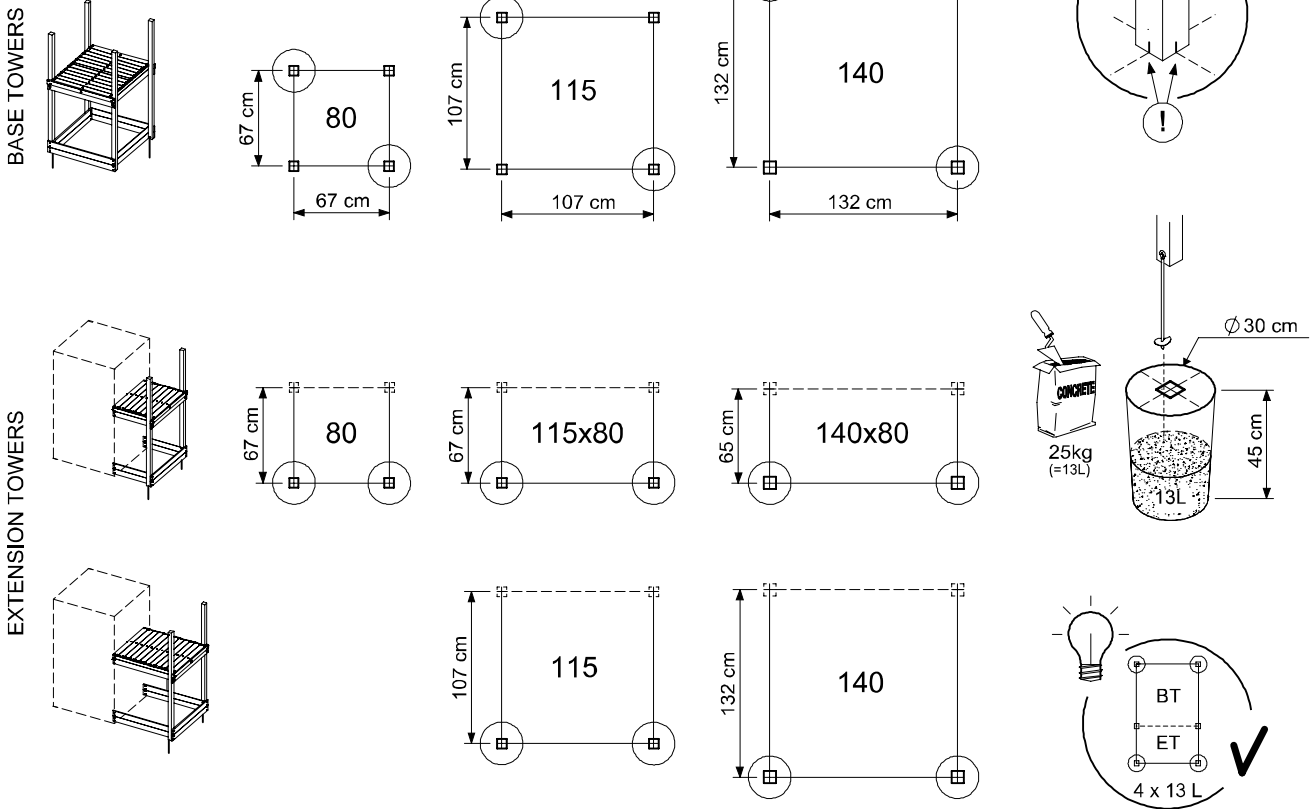
DL\_SLIDE 70/140 - P02\_UL - 08/04/2024 - v1.1



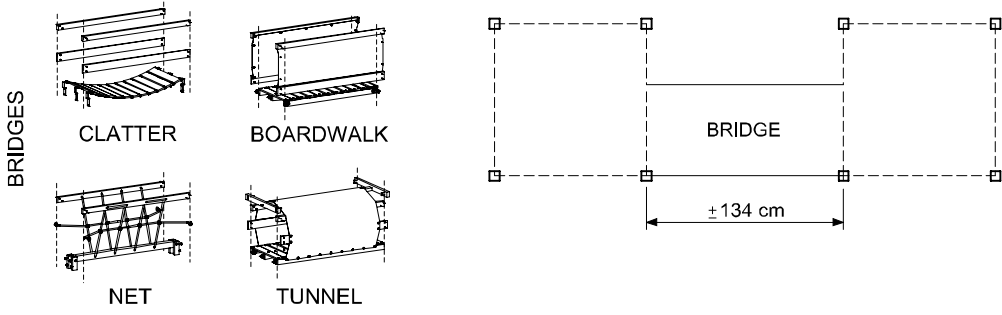




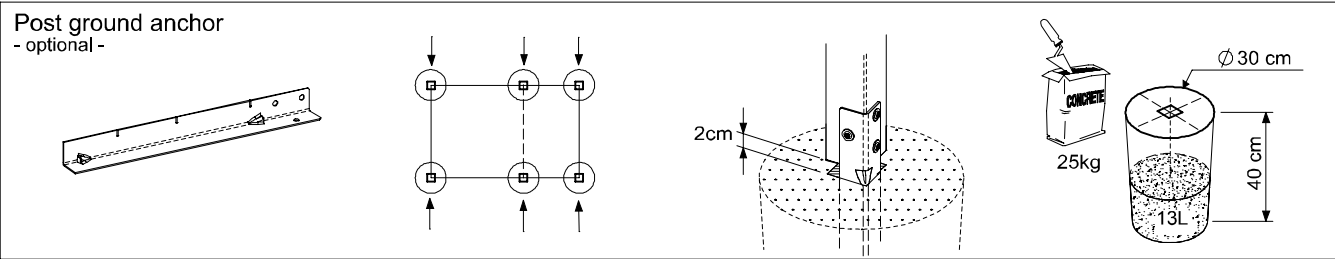
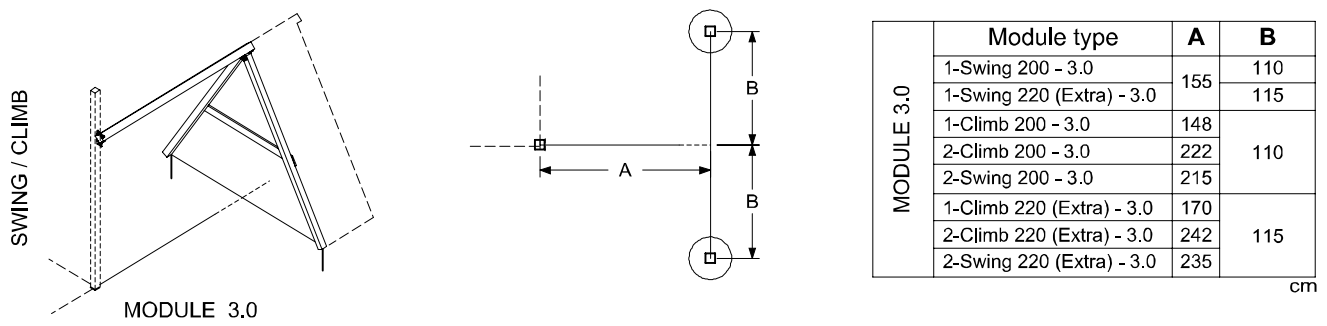
# 10 GA: Ground Anchors



Ground Anchor Unit - P03 - 22/07/2025 - v2.3

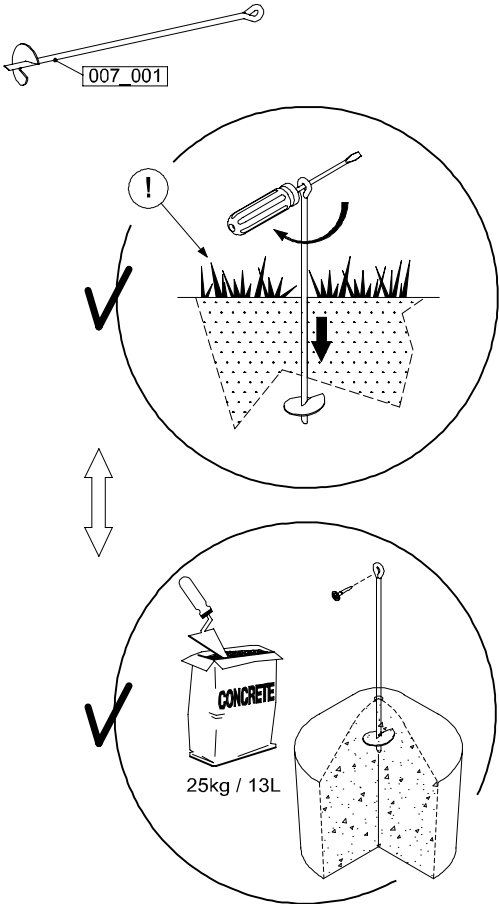


Ground Anchor Unit - P04 - 22/07/2025 - v2.3

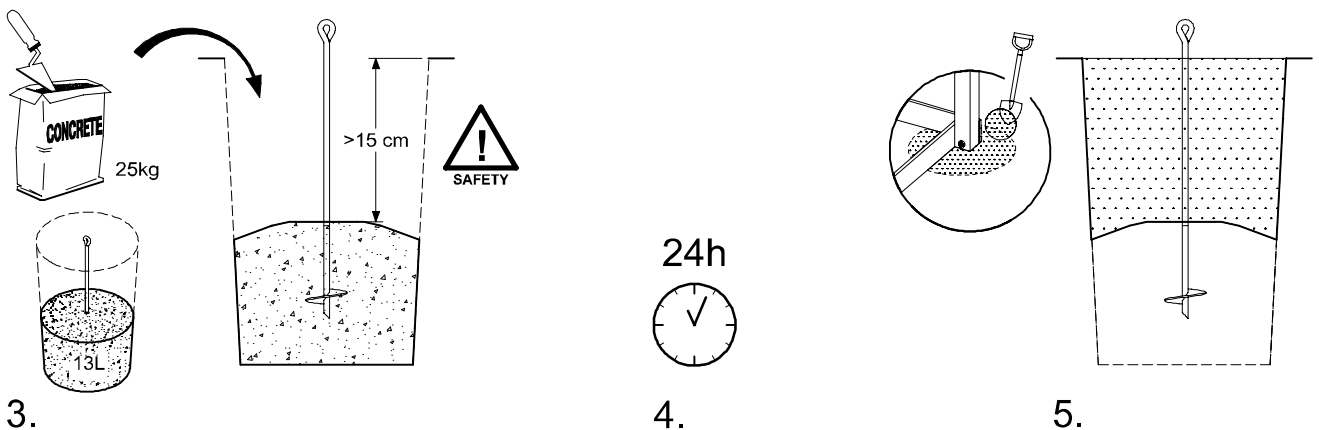
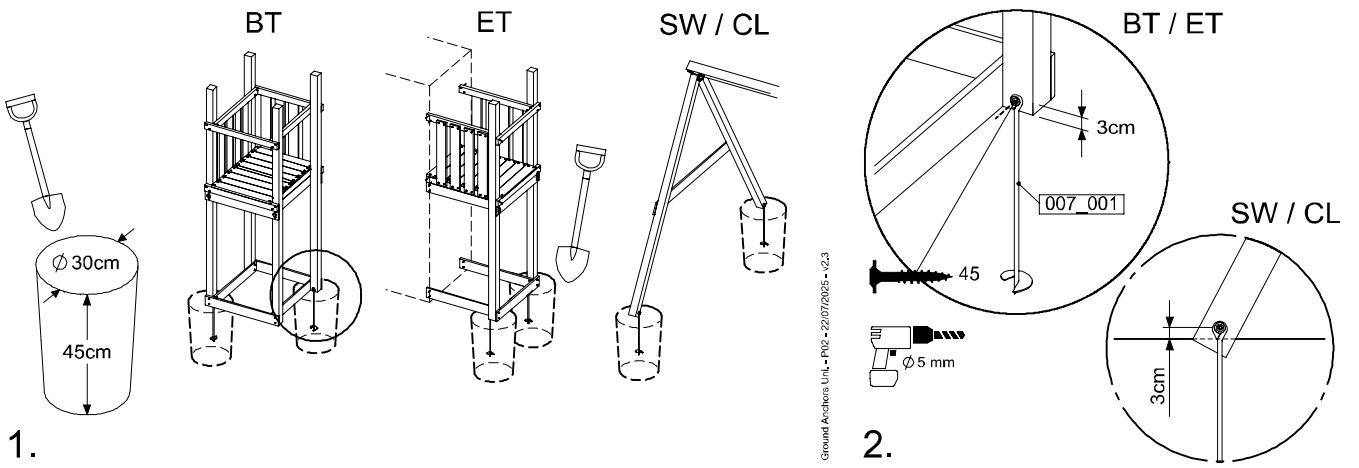
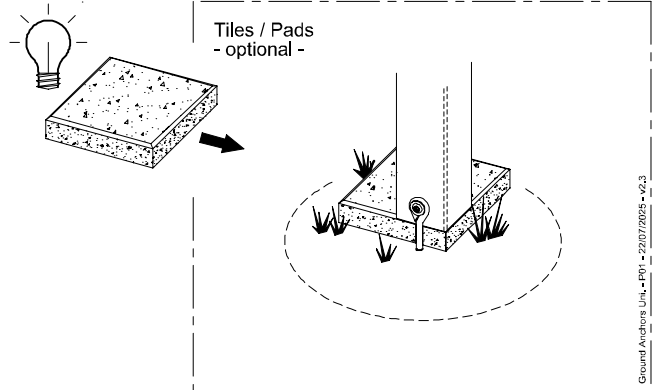
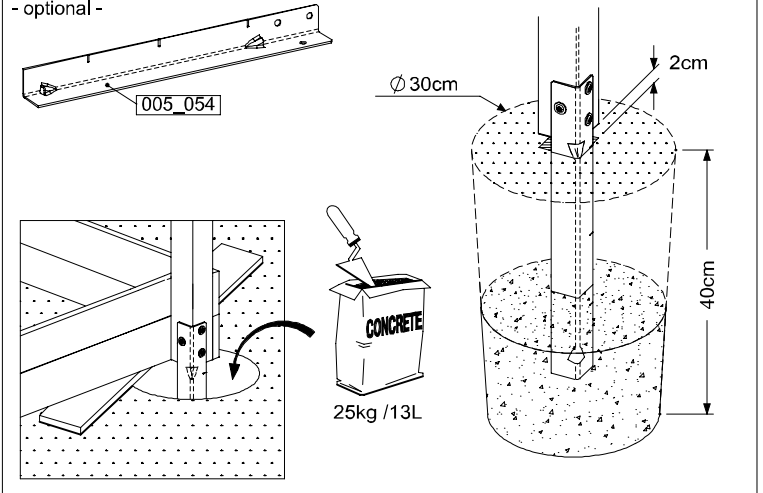


# 10.1

## Screw-in ground anchor



## Post ground anchor - optional -

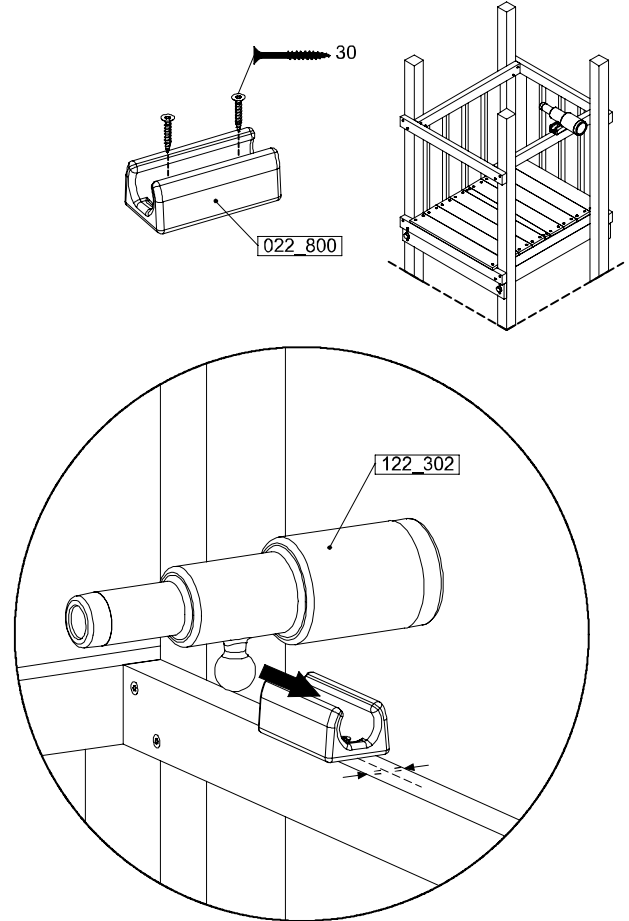
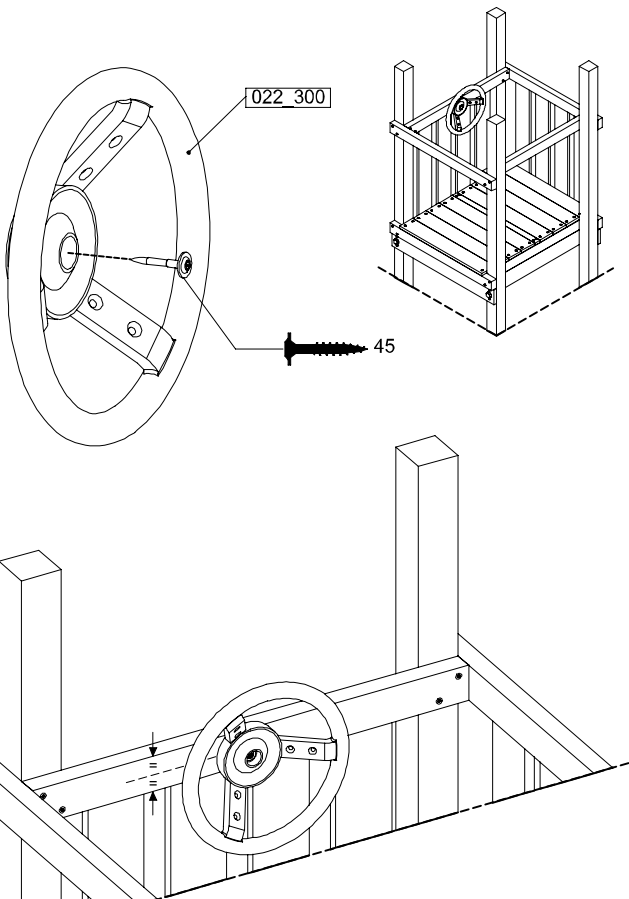
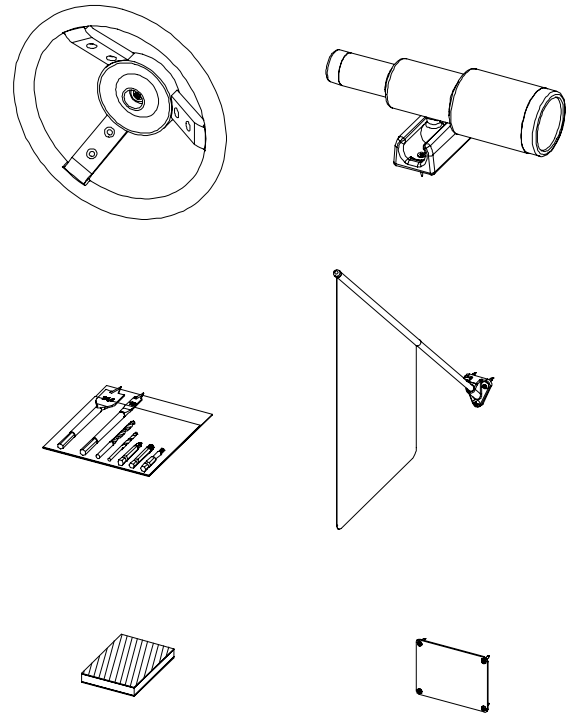


# 11 AC01a: Accessories

( 194\_119 )

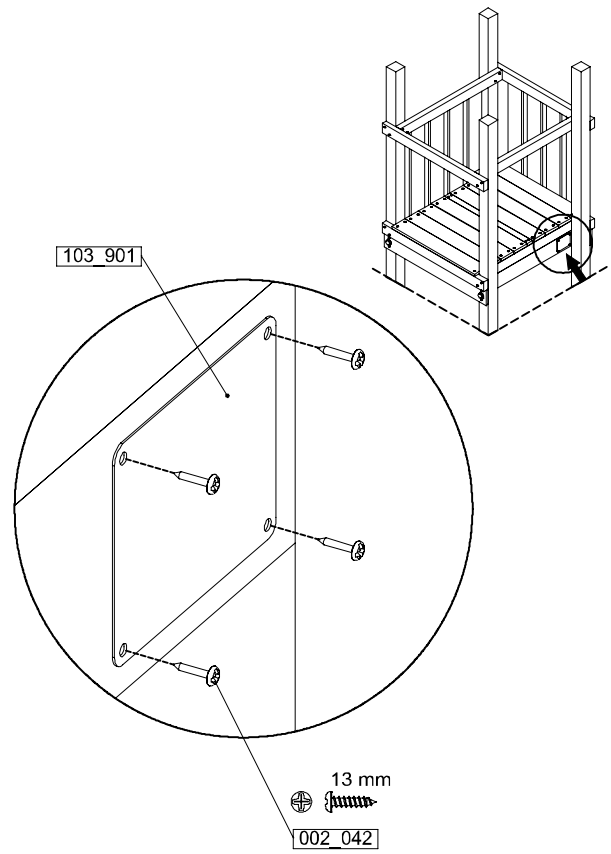
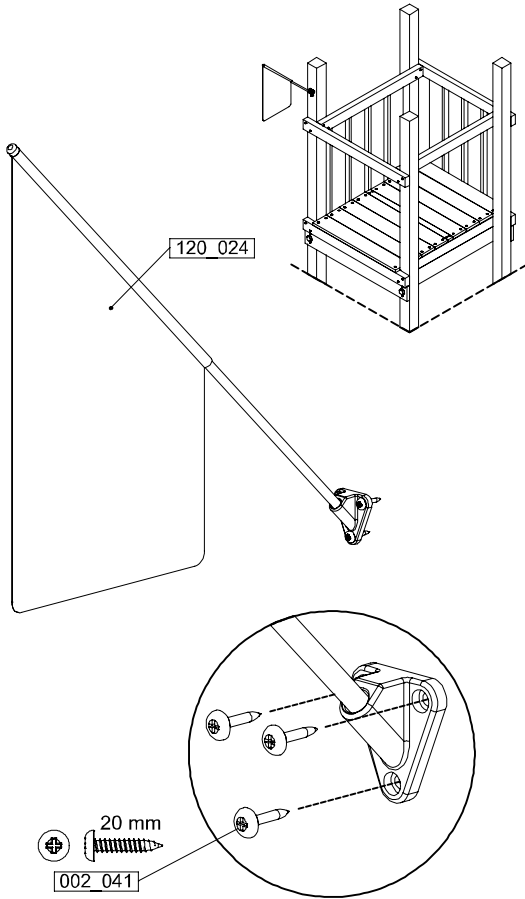
	PartNo	PartName	QTY.
Hardware Pack 100_617	001_406	Stealth Screw 8x45	1
	002_041	Dome head screw 4.5 x 20 mm	3
	002_042	Dome head screw 3.5 x 13mm	4
	002_219	Gap Point Screw T25 - 5x30	2
Other	022_300	Steering Wheel	1
	022_800	Rail P/T 105	1
	022_910	Sandpad	1
	103_901	Logo ID Plate	1
	104_107	Tool Set Climbing Units	1
	120_024	Tower Flag	1
	122_302	Telescope	1

Accessory set - P13 - 24/07/2024 - v5

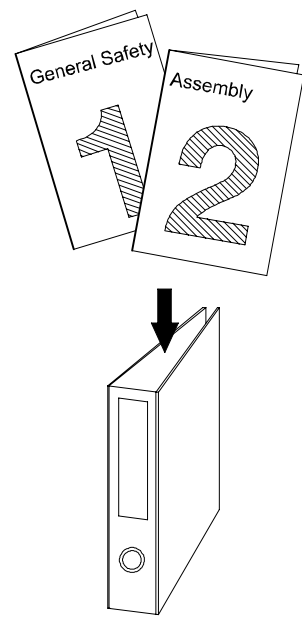
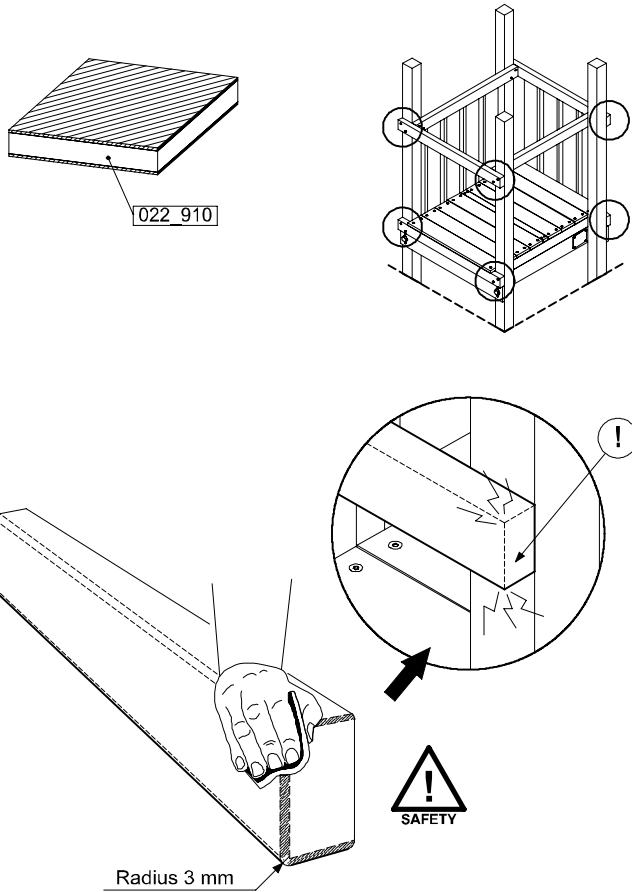


Accessory set - P13 - 24/07/2024 - v5

Manual ID: 040\_005\_2417



Accessories set - P04 - 24/01/2024 - v5



Accessories set - P05 - 24/01/2024 - v5



# Safe play instructions and safety notices

## Sichere Spielanweisungen und Sicherheitswarnungen

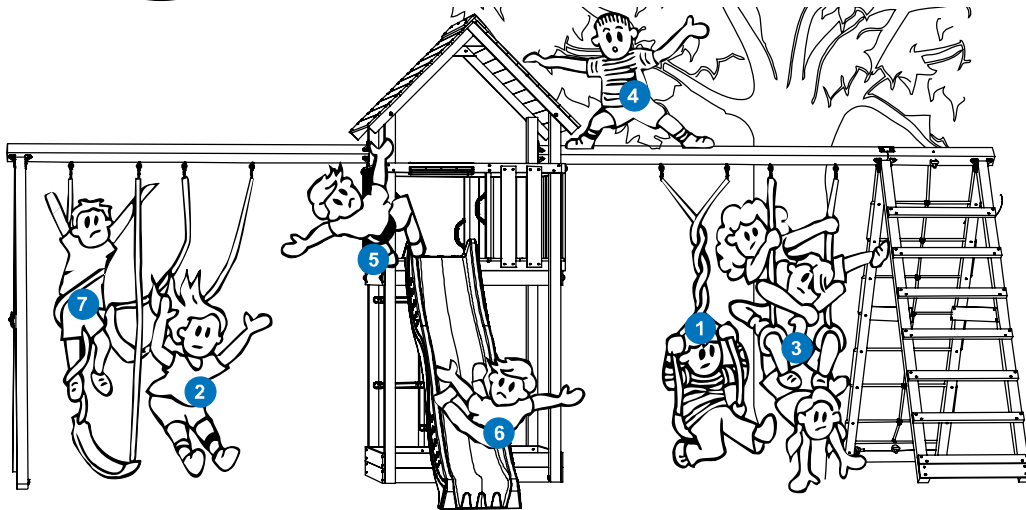
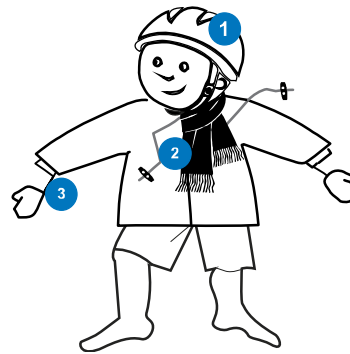
### Consignes de jeu sécurisé et avis de sécurité



1,2,3,4

Part 1

**Maximum number of users**  
**Maximale Benutzerzahl**  
**Le nombre maximal d'utilisateurs**



**Satisfied with the result? We'd love your rating.**  
**Zufrieden mit dem Ergebnis? Teilen Sie Ihre Bewertung.**  
**Satisfait du résultat ? Nous serions ravis de recevoir votre avis.**

Review us on

★★★★★

Scan | Click

Google account required

Review us on

★★★★★

Scan | Click

Trustpilot account required